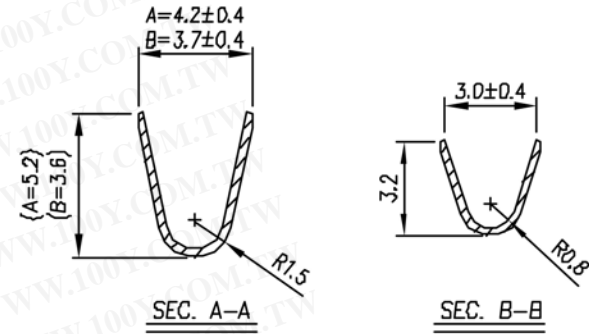
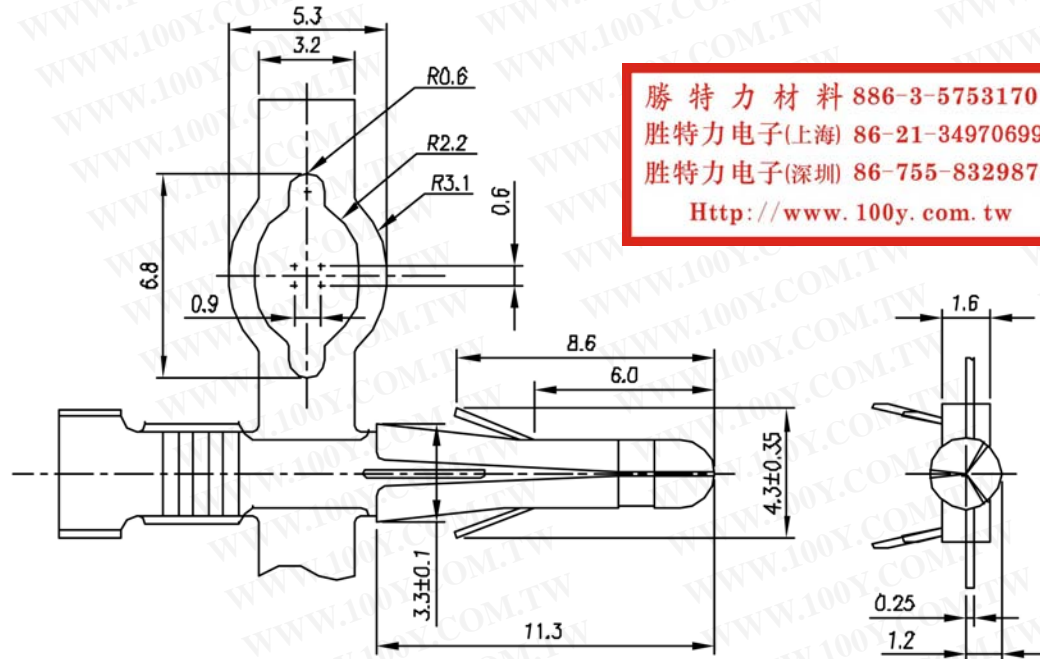


9007MT 0.25Tx23.5Wx13.2P

REV	MODIFICATION	DATE	DRAW
C	EN-04-0321	93.03.31	Seven
D	EN-05-0524	94.05.26	Stacey
E	EN-07-0606	96.06.06	Stacy

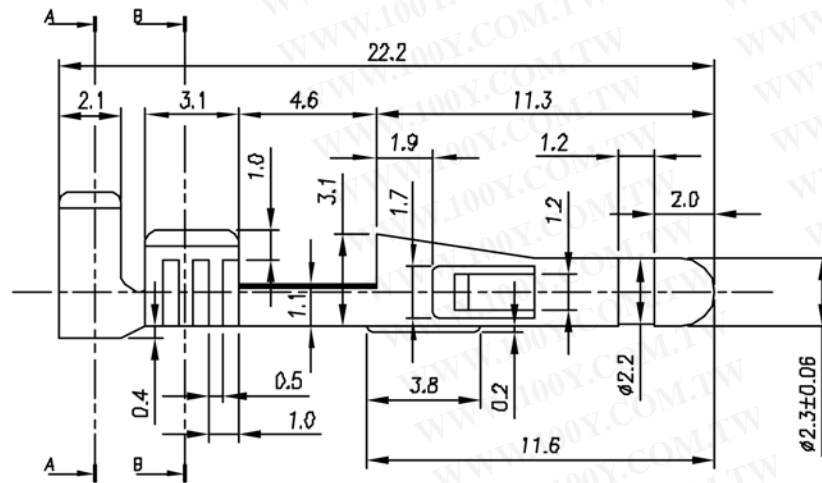
勝特力材料 886-3-5753170
 勝特力电子(上海) 86-21-34970699
 勝特力电子(深圳) 86-755-83298787
[Http://www.100y.com.tw](http://www.100y.com.tw)



NOTES:

- 1.MATERIAL : C2680R-H,T=0.25mm.
- 2.BURRIER:0.05mm MAX.
- 3.CAMBER:9/1000 MAX.
- 4.TWIST : 90°/1m MAX.
- 5.PLATING :
UNDERPLATING : NICKEL PLATING FOR ALL 80u" ~100u".
- 6.PACKING :
3.5 KPCS / REEL
- 7.PART NO.
T-9007-B3 XX 0 X

00 : UNPLATING. 0 : A TYPE (18~24AWG)
 TT : Comply to RoHS 1 : B TYPE (22~28AWG)



DIMENSION IN mm [Inch]		PROD. SPEC.		TITLE 9007MT		CUSTOMER DRAWING	
TOLERANCE UNLESS OTHERWISE SPECIFIED		PKG. SPEC.		FILE NO. KFP-99B		DWG NO. T-9007-B3XX0X	
.X±0.10	X'±1"	APPROVE		PROJ.		SHEET 1 / 1	
.XX±0.10	.X'±0.5"	CHECK		SCALE 4:1		REV E	
.XXX±0.10	.XX'±0.25"	DRAW		SIZE A4			