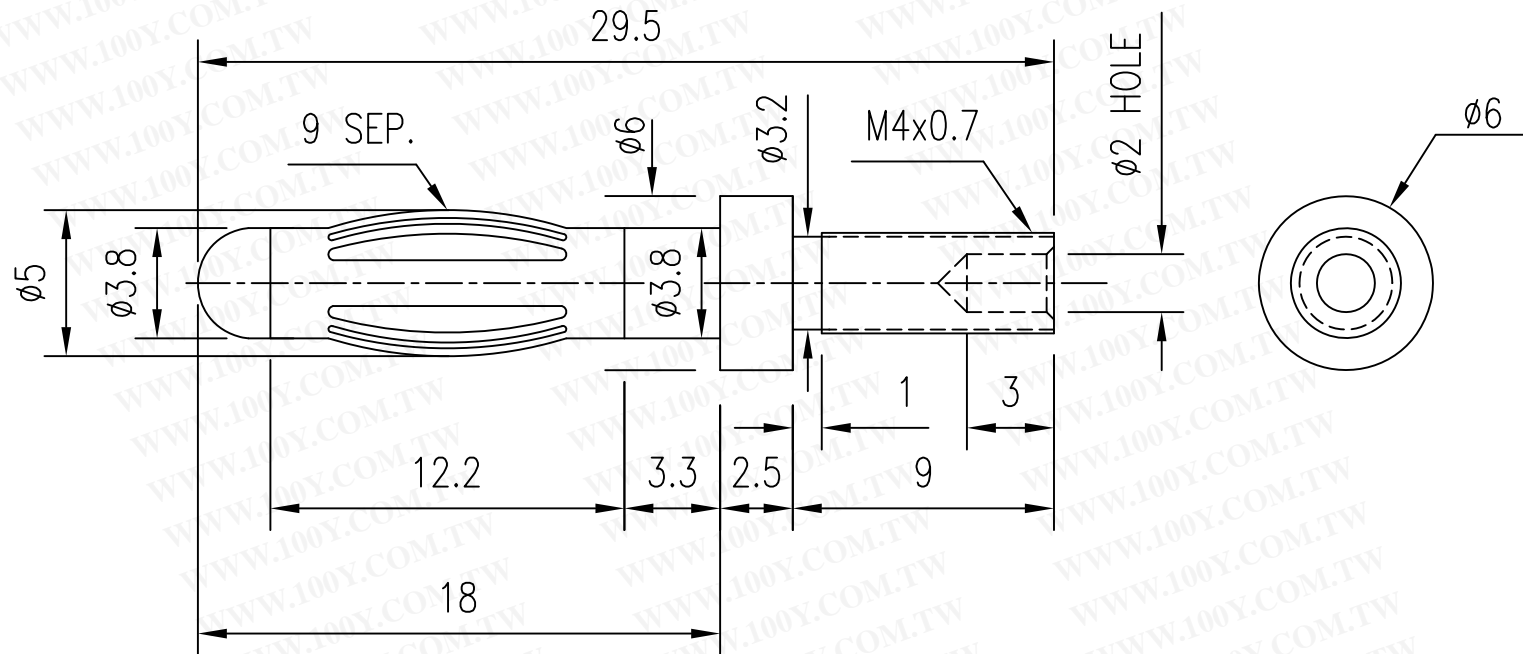


8145S-RD:  $\phi 4\text{mm}$  BANANA PLUG 9 SEP.  $\phi 6\text{mm}$

勝特力材料 886-3-5753170  
 勝特力电子(上海) 86-21-34970699  
 勝特力电子(深圳) 86-755-83298787  
 Http://www.100y.com.tw



UNLESS OTHERWISE SPECIFIED  
 GENERAL TOLERANCES  
 0.5~6 =  $\pm 0.3$   
 >6~30 =  $\pm 0.6$   
 >30~120 =  $\pm 0.8$

NO.	DESCRIPTION	QTY	MATERIAL	SPECIFICATION	REMARK
DRAW BY	MARK 033121	SCALE	4 : 1	PROJ	ITEM NO. 8145S-RD
DEGN BY	YANG	UNIT	MM		TITLE BANANA PLUG
APPD BY	RAY				DWG NO. 8145S-RD-TNS89-A1

9/18/92		9.15 $\pm$ 0.05	
DATE	DRAWG BY	REVISED	