

# Binding Post - Insulated Standard With - Thumb Nut-Grounded Type

## SPECIFICATIONS

**Stud:** Brass per QQ-B-626D

**Finish:** Nickel

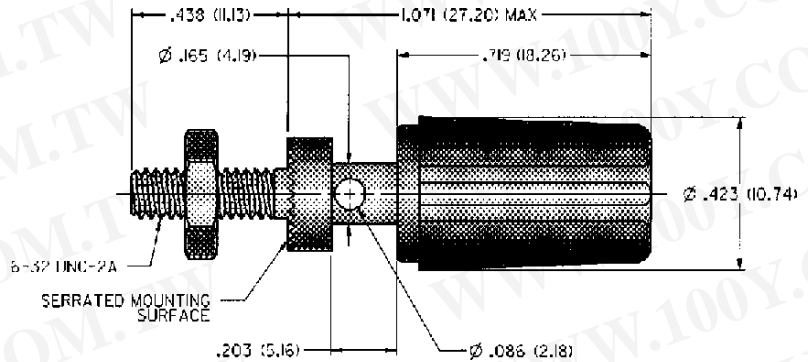
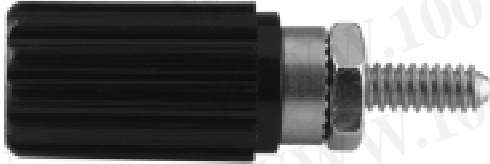
**Insulating Material:** Nylon 6/6 per ASTM D4066

**Hardware:** Nickel plated nut (unassembled)

**Panel Thickness:** Up to .313 (7.95)

## RATINGS

**Current:** 15 amps



NICKEL PLATING	
PART NO.	COLOR
111-0702-001	Red

**For Standard Banana Plug:** .175 (4.44) Across Flats

## FEATURES:

- Serrated mounting surface prevents turning
- Captivated thumb nut
- .094 (2.39) diameter cross-hole accommodates up to 12 gauge wire
- Nylon UL approved for self-extinguishing

勝特力材料 886-3-5753170  
 勝特力电子(上海) 86-21-34970699  
 勝特力电子(深圳) 86-755-83298787  
[Http://www.100y.com.tw](http://www.100y.com.tw)