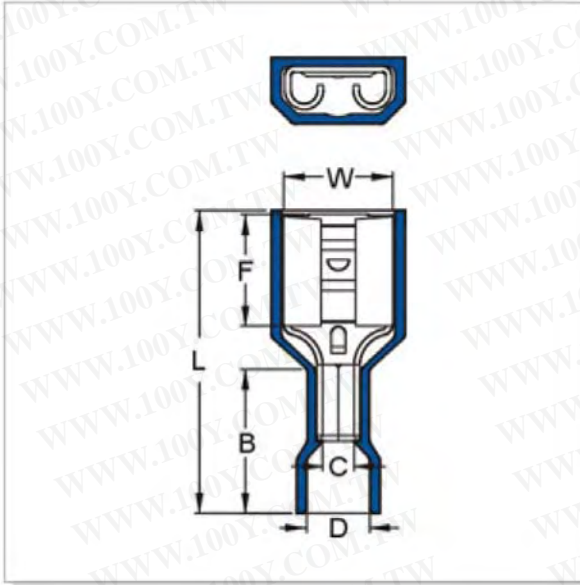


勝特力材料 886-3-5753170
 勝特力电子(上海) 86-21-34970699
 勝特力电子(深圳) 86-755-83298787
[Http://www.100y.com.tw](http://www.100y.com.tw)



MAXIMUM ELECTRIC CURRENT:

A.W.G.	22	20	18	16	14	26	24
AMP.	3	4	7	10	15	2	2

MAXIMUM ELECTRICAL RATING: 105°C 600 VOLTS MAX.

INSULATION MATERIAL: NYLON

INSULATION COLOR:

26-22A.W.G.: VIOLET 22-18A.W.G.: RED

16-14A.W.G.: BLUE

TERMINAL MATERIAL: BRASS

TERMINAL BARREL I.D:

26-22A.W.G.:C=0.8mm 22-16A.W.G.:C=1.6mm 16-14A.W.G.:C=2.3mm

WIRE RANGE A.W.G. mm ²	ITEM NO.	NEMA TAB	DIMENSION inch(mm)						Q'TY BOX
			W	F	L	B	D	T	
22-18 A.W.G. 0.5-0.75 mm ²	□ FDFNY1-187(5)A	.020X.187 (0.5X4.75)	0.197 5	0.252 6.4	0.827 21	0.394 10	0.146 3.700	0.014 0.35	1000