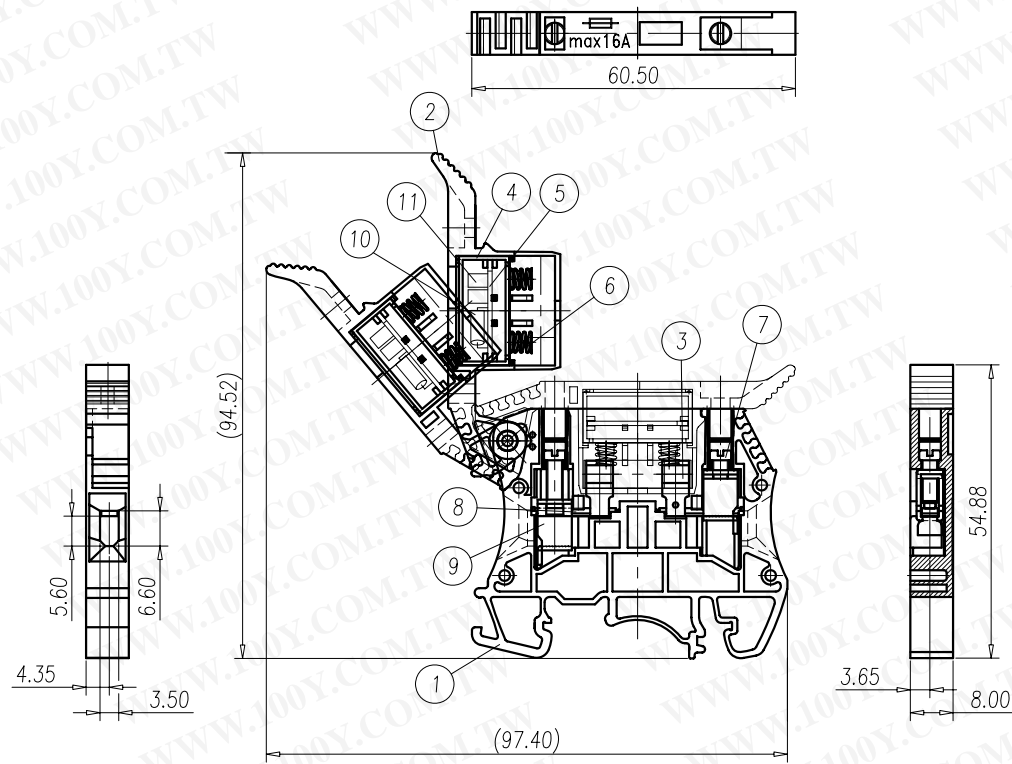


勝特力材料 886-3-5753170
勝特力电子(上海) 86-21-54151736
勝特力电子(深圳) 86-755-83298787
[Http://www.100y.com.tw](http://www.100y.com.tw)



NOTES:

1. Rating: 24 V 16 A (IEC 24V 6.3A)
2. Insulation Withstands Voltage: AC 2000V at 1 minute
3. Insulation Resistance: 500MΩ or more at DC500V
4. Using Temperature Range: -40°C ~ +105°C
5. Screw Torque Value: 0.8 N·m
6. Suitable Electric Wire: AWG 24~12 (0.5~4mm²)
7. RoHS Compliance

11	LED		RED, 2x3x4
10	RESISTANCE		1.5K, 1/4W
9	WIRE CAGE	STEEL	M3/Zn Plated
8	CONDUCTOR	COPPER ALLOY	Tin Plated
7	SCREW	STEEL	M3/Zn Plated
6	SPRING	Stainless Steel	
5	PC BOARD		
4	TRANSPARENT BOX	PC	
3	SOLDER	COPPER ALLOY	Tin Plated
2	FUSE CARRIER	PA66	UL94-V0 BLACK
1	HOUSING	PA66	UL94-V0 GRAY
ITEM	NAME OF PART	MATERIAL	NOTES

Normal Geometric Tolerancing				
—	//	≡	⊥	
0 to 100	0.2		0 to 10	0.2
over 100 to 150	0.3	0.3	over 10	0.3
over 150	0.5			
Total Pitch Tolerances		Normal dimension Tolerances		
0<U≤30	±0.20	0~30	±0.25	
30<U≤53	±0.25	over 30~53	±0.30	
53<U≤70	±0.30	over 53~70	±0.35	
70<U≤90	±0.35	over 70~90	±0.44	
90<U≤115	±0.44	over 90~115	±0.55	
115<U≤150	±0.55	over 115~150	±0.70	
150<U≤200	±0.70	over 150~200	±0.85	
200<U≤250	±0.85	over 200~250	±1.00	
250<U≤320	±1.00	over 250~320	±1.20	

DWG.	JUN.LI	DATE	13.01.04	UNITS	MM	SHEET/OF	1 / 1
CHK.		DATE		SCALE	1:1 (:)		
APP.		DATE		NAME	DK4-TFL24(5X20)		
				DWG NO.	SP-03-DK4TFL24		

△	REV.	CONTENT	CHK.	DATE
---	------	---------	------	------