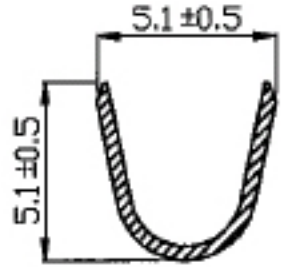
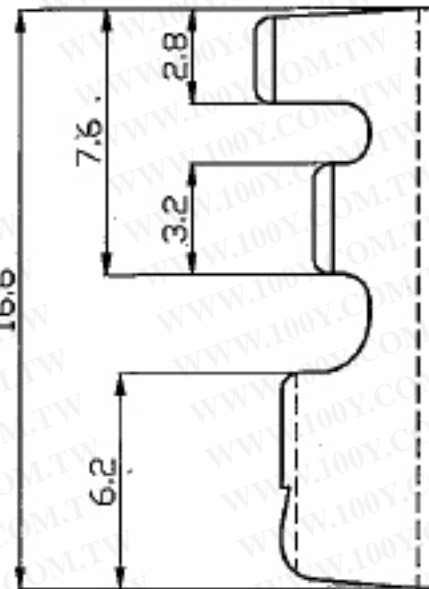
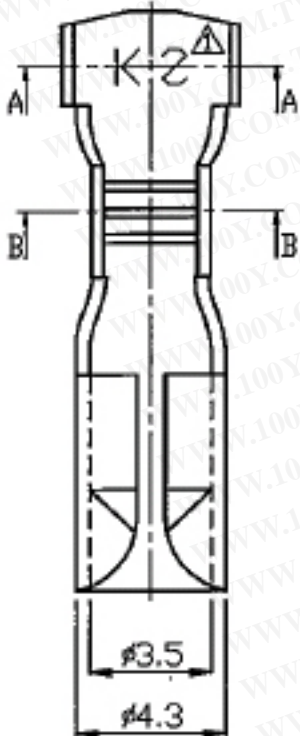


A B C D E F G H X

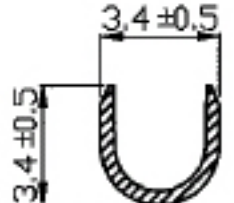
REV DESCRIPTION DATE

| ITEM NO | PROCESS | WIRE RANGE | MARKING |
|----------------|----------------|--------------------------|---------|
| FRM350-01B2 | Tin plating | 0.85-1.25mm ² | K.S |
| FRM350-01B9 | No plating | | |
| △ FRM350-01B9L | No plating | | |
| FRM350-01BT | Pre-tin Plated | | |

△ RDK-98179
 △ RDC-103156



A-A



B-B



NOTE:
 1. THICKNESS : 0.4mm

| Tolerance Unless Otherwise Specified | |
|--------------------------------------|-------|
| 0 > 6 mm | ± 0.3 |
| 6 > 18 mm | ± 0.4 |
| 18 > 30 mm | ± 0.5 |
| > 30 mm | ± |

勝特力材料 886-3-5753170
 勝特力电子(上海) 86-21-34970699
 勝特力电子(深圳) 86-755-83298787
[Http://www.100y.com.tw](http://www.100y.com.tw)

| NAME | RECEPTACLE TERMINAL | | | | UNIT | mm |
|----------|---------------------|----------|-------|------|---------|----|
| PART NO. | See Chart | MATERIAL | BRASS | | APPROVE | |
| NUMBER | KT-94092-C | SCALE | SHEET | PAGE | CHECKED | |
| DATE | 2007/09/18 | 4/1 | 1-2 | 10F1 | DRAWN | |

A B C D E F G H X