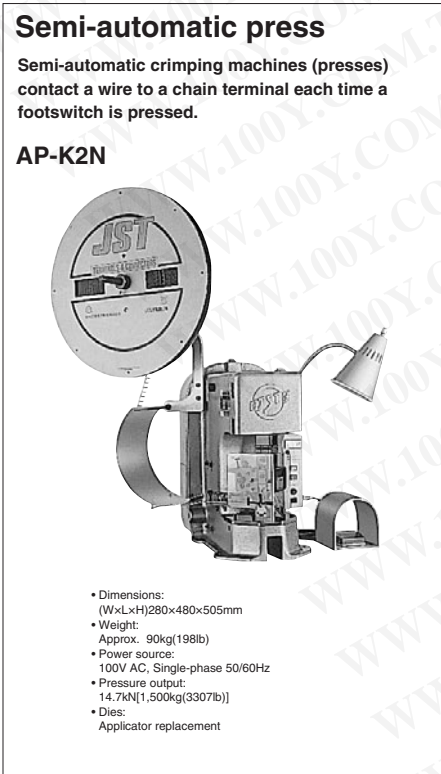
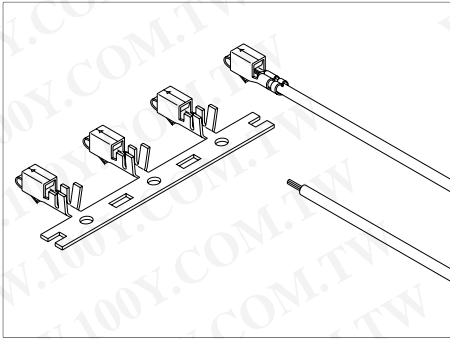


APPLICATION TOOLING

Crimping tools and machines

Crimping tools and machines

The arrow mark indicates the press that is applicable to the applicator.











勝特力材料 886-3-5753170
勝特力电子(上海) 86-21-34970699
勝特力电子(深圳) 86-755-83298787
[Http://www.100y.com.tw](http://www.100y.com.tw)

Hand tools

Crimping tools

Crimping tools

Terminals and parts model number in alphabetical order	Hand tools					Hand tools		Extraction and Insertion tools	
	for chain terminals	for loose piece terminals				for loose piece terminals		Extraction tool	Insertion tool
	YRS series	YC series	YRM series	YRF series	YRK series	YRK-EX series			
									
	Dimensions: (WxL) 59x224mm	Dimensions: (WxL) 70x296mm	Dimensions: (WxL) 59x224mm	Dimensions: (WxL) 70x295mm 80x305mm	Dimensions: (WxLxD) 75x314x25mm	Dimensions: (WxLxD) 75x314x25mm		Extraction tool is used to extract contacts improperly inserted in the housing.	Insertion tool allows contacts to be inserted in the housing. This tool greatly increases efficiency especially when thin wires are used.
	<p>Crimping tools It is the manual tool that is convenient to terminate very small quantity of contacts for prototype or maintenance. It is composed of two crimping dies for the conductor and insulation, and can be crimp easily. YRK and YRK-EX can be used for mass-production.</p> <p><i>Note: (1) These tools are for prototype tooling or repair. (2) YC tool has two crimping sections (A and B). YRS tool has also two crimping sections by inverting upper dies. Be sure to check applicable wires before use. Since the dies are fixed, the crimping height cannot be adjusted. Therefore, some of the applicable wires described in this catalog may not be crimped properly. Before use, check for proper crimping (such as tensile strength, terminal/contact deformation). (3) These tools are not applicable to 2-wire crimping. (4) When hand crimping board-in terminals (SAN, SCN, SDM, SGN, SIN, SJN, SZN), care should be taken not to contaminate the solder tails of the terminals, as with greasy or oily fingers. If a solder problem arises, some cleaning of the tips of the terminal is advisable. (5) WC and JUC hand tools are provided by J.S.T.(U.K.) LTD. and contact them about the details of these hand tools.</i></p>								
	YRS series	YC series	YRM series	YRF series	YRK · YRK-EX series	WC & JUC series JUK's Hand Tools	Terminal in loose form model No.		
JK-SP/SS2***	YRS-370	-	-	-	-	-	-	KEJ-0.7 for plug, KEJ-0.4 for socket	-
J-SP/SS1***	YRS-440	YC-440	-	-	-	-	J-BP/BS1***	DEJ-0.3	-
J-SP/SS2***	YRS-330	-	-	-	-	-	-	DEJ-0.3	-
LFO-1.0-250N	-	-	-	-	-	JUCS-FO	-	-	-
LFO-2.5-250N	-	-	-	-	-	JUCS-FO	-	-	-
MD-SP12**	YRS-470	-	-	-	-	-	-	MEJ-06	-
MD-SP22**	YRS-460	-	-	-	-	-	-	MEJ-06	-
RA-SC1290	YRS-231	-	YRM-232 YRM-233	-	-	-	RA-BC12**	EJ-RA	-
RF-SC22**	-	-	YRM-230	-	-	-	RF-BC22**	-	-
RPJ-SP/SS2331	YRS-331	-	-	-	-	-	-	EJ-RPJ	-
SAA-21(T)-**	-	YC-141	-	-	-	-	LAA-21(T)-**	-	-
SAA-50(T)-**	-	YC-182	-	-	-	-	LAA-50(T)-**	-	-
SAA-51(T)-**	-	YC-142	-	-	-	-	LAA-51(T)-**	-	-
SAB-51(T)-**	-	YC-142	-	-	-	-	LAB-51(T)-**	-	-
SACH-003G-P0.2	YRS-1190	-	-	-	-	-	-	-	-
SACH-002GU-P0.3	YRS-858	-	-	-	-	-	-	-	-
SAN-002T-0.8A SAN-002T-0.8K	YRS-220	-	-	-	-	-	-	EJ-PH	-
SBH-001T-P0.5	-	YC-670R	-	-	-	WC-670	BBH-001T-P0.5	-	-
SBHL-002T-P0.5	YRS-857	-	-	-	-	-	-	-	-
SBHM-001T-P0.5	-	YC-670R	-	-	-	-	BBHM-001T-P0.5	EJ-BHMR	-
SBHS-002T-P0.5A	YRS-852	-	-	-	-	-	-	EJ-BHS2	-
SBHS-002T-P0.5A	-	-	-	-	-	-	-	EJ-BHS2	-
SBHSM-002T-P0.5	YRS-854	-	-	-	-	-	-	EJ-BHSW	-
SBHT-002T-P0.5	YRS-856 YRS-857	-	-	-	-	-	-	EJ-BHT	-
SBN-001T-1.0	YRS-170	YC-170R	-	-	-	-	BBN-001T-1.0	-	-
SCN-001T-1.0K SCN-001T-P1.0	YRS-191	YC-191R	-	-	-	WC-191	BCN-001T-1.0K BCN-001T-P1.0	-	-
SCS-41T-2.3	-	-	-	-	-	-	-	CSJ-23	-
SCSN-41T-P2.3	-	-	-	-	-	-	-	EJ-CSN	-
SCZH-002T-P0.5	YRS-492	-	-	-	-	-	-	-	-

Note: Contact JST for wire range.

Crimping tools

Terminals and parts model number in alphabetical order	Hand tools					Hand tools			Extraction and Insertion tools	
	for chain terminals	for loose piece terminals				for loose piece terminals			Extraction tool	Insertion tool
	YRS series	YC series	YRM series	YRF series	YRK · YRK-EX series	WC & JUC series JUK's Hand Tools	Terminal in loose form model No.			
SDF-01T-1.0A	-	YC-045	-	-	-	-	-	LDF-01T-1.0A	-	-
SDF-01T-1.3AS	-	YC-045	-	-	-	-	-	LDF-01T-1.3AS	-	-
SDN-21T-P1.5	-	YC-600R	-	-	-	-	-	BDN-21T-P1.5	-	-
SDY-01T-P1.6ASV	-	YC-525R	-	-	-	-	-	BDY-01T-P1.6ASV	SLJ-1.4	-
SEH-001T-P0.6	YRS-260	YC-260R	-	-	-	-	WC-260	BEH-001T-P0.6	EJ-PH	-
SEH-001T-P0.6L	-	-	-	-	-	-	-	-	EJ-PH	-
SEH-002T-P0.6L	-	-	-	-	-	-	-	-	EJ-PH	-
SEH-003T-P0.6L	-	-	-	-	-	-	-	-	EJ-PH	-
SF1F-002(*)-P0.6	-	-	-	-	YRK-1220	-	-	-	EJ-JFAJ1100	-
SF1M-002(*)-M0.6A	-	-	-	-	YRK-1220	-	-	-	EJ-JFAJ1100	-
SF1F-21(*)-P0.6	-	-	-	-	YRK-1210	-	-	-	EJ-JFAJ1100	-
SF1M-21(*)-M0.6A	-	-	-	-	YRK-1210	-	-	-	EJ-JFAJ1100	-
SF3F-002(*)-P2.0	-	-	-	YRF-882	YRK-8821	-	-	BF3F-002(*)-P2.0	EJ-JFAJ3	-
SF3F-01(*)-P2.0	-	-	-	YRF-881	YRK-8811	-	-	BF3F-01(*)-P2.0	EJ-JFAJ3	-
SF3M-01(*)-M2.0N	-	-	-	YRF-881	YRK-8811	-	-	BF3M-01(*)-M2.0N	EJ-JFAJ3	-
SF3F-41(*)-P2.0	-	-	-	YRF-880	YRK-8801	-	-	LF3F-41(*)-P2.0	EJ-JFAJ3	-
SF3M-41(*)-M2.0N	-	-	-	YRF-880	YRK-8801	-	-	LF3M-41(*)-M2.0N	EJ-JFAJ3	-
SF3F-71(*)-P2.0	-	-	-	YRF-1070	YRK-1071	-	-	BF3F-71(*)-P2.0	EJ-JFAJ3	-
SF3M-71(*)-M2.0N	-	-	-	YRF-1071	YRK-1071	-	-	BF3M-71(*)-M2.0N	EJ-JFAJ3	-
SFO-41(T)-187N(-8)	-	YC-271	-	-	-	-	-	LFO-41(T)-187N	-	-
SFO-61(T)-250A	-	YC-270	-	-	-	-	-	LFO-61(T)-250A	-	-
SFPS-61T-250	-	YC-272	-	-	-	-	-	LFPS-61(T)-250	-	-
SFT-61T-250N	-	YC-510	-	-	-	-	-	LFT-61T-250N	-	-
SGF-41(T)-4	-	YC-055	-	-	-	-	-	LGF-41(T)-4	-	-
SGF-51(T)-5	-	YC-065	-	-	-	-	-	LGF-51(T)-5	-	-
SGM-51T-5	-	YC-056	-	-	-	-	-	LGM-51T-5	-	-
SHCM-A03T-P025	YRS-960	-	-	-	-	-	WC-SHCM-A03	-	-	-
SHF-001T-0.8BS	YRS-122	YC-122R	-	-	-	-	WC-122	BHF-001T-0.8BS	EJ-SMP	-
SHF-002T-0.8BS	YRS-300	-	-	-	-	-	-	-	EJ-SMP	-
SHIF-01T-P0.5	-	YC-986R	-	-	-	-	-	-	EJ-HILP	-
SHIF-21T-P0.5	-	YC-995R	-	-	-	-	-	-	EJ-HILP	-
SHIM-01T-P0.5	-	YC-986R	-	-	-	-	-	-	EJ-HILR	-
SHIM-21T-P0.5	-	YC-995R	-	-	-	-	-	-	EJ-HILR	-
SHR-001T-P0.6	YRS-580	YC-580R	-	-	-	-	-	BHR-001T-P0.6	-	-
SIM-01(T)-110A	-	YC-054	-	-	-	-	-	LIM-01(T)-110A	-	-
SIM-1.0-250D/N	-	-	-	-	-	-	JUCS-IM	-	-	-
SIM-2.5-250D/N	-	-	-	-	-	-	JUCS-IM	-	-	-
SIM-41(T)-110B	-	YC-067	-	-	-	-	-	LIM-41(T)-110B	-	-
SIM-51(T)-250N	-	YC-321	-	-	-	-	-	LIM-51(T)-250N	-	-
SIN-001T-1.2	YRS-034	-	-	-	-	-	-	-	-	-
SIN-002T-1.0S	YRS-035	-	-	-	-	-	-	-	-	-
SIN-01T-1.2	-	YC-340R	-	-	-	-	-	LIN-01T-1.2	-	-
SIN-01T-1.8	-	YC-032	-	-	-	-	-	LIN-01T-1.8	-	-
SIN-01T-1.8N	-	YC-032	-	-	-	-	-	LIN-01T-1.8N	-	-
SIN-21T-1.8	-	YC-350	-	-	-	-	-	LIN-21T-1.8	-	-
SIN-21T-1.8S	-	YC-570	-	-	-	-	-	LIN-21T-1.8S	-	-
SIN-61T-2.6S	-	YC-571	-	-	-	-	-	LIN-61T-2.6S	-	-
SIN-81T-3.6S	-	YC-560	-	-	-	-	-	LIN-81T-3.6S	-	-
SIN-81T-3.6S	-	YC-940	-	-	-	-	-	LIN-81T-3.6S	-	-

Note: Contact JST for wire range.

Crimping tools

Terminals and parts model number in alphabetical order	Hand tools					Hand tools			Extraction and Insertion tools	
	for chain terminals	for loose piece terminals				for loose piece terminals			Extraction tool	Insertion tool
	YRS series	YC series	YRM series	YRF series	YRK · YRK-EX series	WC & JUC series JUK's Hand Tools	Terminal in loose form model No.			
SJ2F-002GF-P1.0	YRS-8851	-	-	-	YRK-8851	-	-	EJ-JFAJ2N	-	
SJ2M-002GF-M1.0N	YRS-8851	-	-	-	YRK-8851	-	-	EJ-JFAJ2N	-	
SJ2F-01GF-P1.0	YRS-8861	-	-	-	YRK-8861	-	-	EJ-JFAJ2N	-	
SJ2M-01GF-M1.0N	YRS-8861	-	-	-	YRK-8861	-	-	EJ-JFAJ2N	-	
SJ2M-01GF-M1.0S	YRS-8861	-	-	-	YRK-8861	-	-	EJ-JFAJ2N	-	
SJ2F-21GF-P1.0	-	-	-	YRF-1120	YRK-1120	-	LJ2F-21GF-P1.0	EJ-JFAJ2N	-	
SJ2M-21GF-M1.0N	-	-	-	YRF-1120	YRK-1120	-	LJ2M-21GF-M1.0N	EJ-JFAJ2N	-	
SJ4F-71GF-M3.0	-	-	-	YRF-1130	-	-	BJ4F-71GF-M3.0	EJ-JFAJ4	-	
SJ4F-81GF-M3.0	-	-	-	YRF-1370	-	-	BJ4F-81GF-M3.0	EJ-JFAJ4	-	
SJ5F-71GF-M6.5	-	-	-	YRF-888	-	-	LJ5F-71GF-M6.5	EJ-JFAJ5	-	
SJ5M-71GF-M6.5	-	-	-	YRF-888	-	-	LJ5M-71GF-M6.5	EJ-JFAJ5	-	
SJ5F-81GF-M6.5	-	-	-	YRF-889	-	-	LJ5F-81GF-M6.5	EJ-JFAJ5	-	
SJ5M-81GF-M6.5	-	-	-	YRF-889	-	-	LJ5M-81GF-M6.5	EJ-JFAJ5	-	
SJ5F-91GF-M6.5	-	-	-	-	-	-	LJ5F-91GF-M6.5	EJ-JFAJ5	-	
SJ5M-91GF-M6.5	-	-	-	-	-	-	LJ5M-91GF-M6.5	EJ-JFAJ5	-	
SJN-001PT-0.9	YRS-1181	-	-	-	-	-	-	-	-	
SJN-002PT-0.9	YRS-036	-	-	-	-	-	-	-	-	
SLC-21T-2.0	-	YC-310	-	-	-	WC-310	LLC-21T-2.0	EJ-LC	-	
SLC-22T-2.0	-	-	-	-	-	-	-	EJ-LC	-	
SLC-001T-P2.0	-	-	-	-	-	-	-	EJ-LCL	-	
SLC-02T-P2.0	-	-	-	-	-	-	-	EJ-LCL	-	
SLF/M-01T-P1.3E	-	YC-202	YRM-201	-	-	WC-202	LLF/M-01T-P1.3E	LEJ-13	LIT-2013	
SLF/M-41T-P1.3E	-	YC-203	-	-	-	WC-203	LLF/M-41T-P1.3E	LEJ-13	-	
SMF-01T-1.0	-	YC-081	-	-	-	-	LMF-01T-1.0	-	-	
SMF-01T-1.3	-	YC-082	-	-	-	-	LMF-01T-1.3	-	-	
SMM-003T-P0.5	YRS-800	-	-	-	-	WC-800	-	-	-	
SMR-001T-0.6	YRS-580	YC-580R	-	-	-	-	BMR-001T-0.6	-	-	
SOM-21(T)-187	-	YC-680	-	-	-	-	LOM-21(T)-187	-	-	
SOM-51(T)-250	-	YC-066	-	-	-	WC-066	LOM-51(T)-250	-	-	
SOTZP-002GD-P0.18	-	-	-	-	-	-	-	EJ-OTZS	-	
SPA-001T-P0.5	-	YC-610R YC-611R	-	-	-	-	BPA-001T-P0.5	EJ-PH	-	
SPAL-001T-P0.5	-	YC-610R YC-611R	-	-	-	-	BPAL-001T-P0.5	EJ-PAL	-	
SPAL-002T-P0.5	YRS-1340	-	-	-	-	-	-	EJ-PAL	-	
SPB-1.0-250N-S	-	-	-	-	-	JUCS-PB	-	-	-	
SPB-2.5-250N-S	-	-	-	-	-	JUCS-PB	-	-	-	
SPF-01T-2.5C	-	YC-043R	-	-	-	-	LPF-01T-2.5C	-	-	
SPH-001T-P0.5L	YRS-245	-	-	-	-	-	-	-	-	
SPH-002T-P0.5L	YRS-241	-	-	-	-	-	-	EJ-PH	-	
SPH-002T-P0.5S	YRS-240	-	YRM-240	-	-	WC-240	BPH-002T-P0.5S	EJ-PH	-	
SPH-004T-P0.5S	YRS-243	-	-	-	-	-	-	EJ-PH	-	
SPHD-001T-P0.5	-	YC-610R YC-611R	-	-	-	WC-610	BPHD-001T-P0.5	EJ-PHD-RB	-	
SPHD-002T-P0.5	YRS-620	-	YRM-620	-	-	WC-620	BPHD-002T-P0.5	EJ-PHD-RB	-	
SPLI-002T-P0.5	YRS-1410	-	-	-	-	-	-	-	-	
SPND-001T-C0.5	YRS-1091	-	-	-	-	-	-	EJ-PND	-	
SPND-002T-C0.5	YRS-1090	-	-	-	-	-	-	EJ-PND	-	

Note: Contact JST for wire range.

Crimping tools

Terminals and parts model number in alphabetical order	Hand tools					Hand tools			Extraction and Insertion tools	
	for chain terminals	for loose piece terminals				for loose piece terminals			Extraction tool	Insertion tool
	YRS series	YC series	YRM series	YRF series	YRK · YRK-EX series	WC & JUC series JUK's Hand Tools	Terminal in loose form model No.			
SPS-01T-110	-	YC-740	-	-	-	-	WC-740	LPS-01T-110	-	-
SPS-01T-187(-8)	-	YC-730 YC-731	-	-	-	-	WC-730	LPS-01T-187(-8)	EJ-PS187	-
SPS-21T-205(-5)	-	YC-760	-	-	-	-	-	LPS-21T-205(-5)	-	-
SPS-21T-250	-	YC-780	-	-	-	-	WC-780	LPS-21T-250	EJ-PS250	-
SPS-21T-250S	-	YC-780	-	-	-	-	WC-780	LPS-21T-250S	EJ-PS250	-
SPS-41T-110	-	YC-750 YC-751	-	-	-	-	WC-750	LPS-41T-110	-	-
SPS-51T-187(-8)	-	YC-710 YC-711	-	-	-	-	WC-710	LPS-51T-187(-8)	EJ-PS187	-
SPS-51T-205	-	YC-770 YC-771	-	-	-	-	-	LPS-51T-205	-	-
SPS-61T-250	-	YC-720	-	-	-	-	WC-720	LPS-61T-250	EJ-PS250	-
SPS-61T-250S	-	YC-721	-	-	-	-	-	LPS-61T-250S	EJ-PS250	-
SPS-91T-250	-	-	-	YRF-790	-	-	-	BPS-91T-250	EJ-PS250	-
SPS-91T-250S	-	-	-	YRF-791	-	-	-	BPS-91T-250S	EJ-PS250	-
SPUD-001T-P0.5	YRS-1320	-	-	-	-	-	-	-	EJ-PUD	-
SPUD-002T-P0.5	-	-	-	-	-	-	-	-	EJ-PUD	-
SPXA-001T-P0.6	-	-	-	-	-	-	-	-	EJ-PXA	-
SRA-20(T)-**	-	YC-181	-	-	-	-	-	LRA-20(T)-**	-	-
SRA-21(T)-**	-	YC-141	-	-	-	-	-	LRA-21(T)-**	-	-
SRA-50(T)-**	-	YC-182	-	-	-	-	-	LRA-50(T)-**	-	-
SRA-51(T)-**	-	YC-142	-	-	-	-	-	LRA-51(T)-**	-	-
SRB-1.0(-)	-	-	-	-	-	-	JUCS-RB/RT	-	-	-
SRB-2.5(-)	-	-	-	-	-	-	JUCS-RB/RT	-	-	-
SRB-51(T)-**	-	YC-142	-	-	-	-	-	LRB-51(T)-**	-	-
SRC-01(T)-**	-	YC-033	-	-	-	-	-	LRC-01(T)-**	-	-
SRC-50(T)-**	-	YC-183	-	-	-	-	-	LRC-50(T)-**	-	-
SRC-51(T)-**	-	YC-142	-	-	-	-	-	LRC-51(T)-**	-	-
SRF-51(T)-**	-	YC-142	-	-	-	-	-	LRF-51(T)-**	-	-
SRT-1.0(-)	-	-	-	-	-	-	JUCS-RB/RT	-	-	-
SRT-2.5(-)	-	-	-	-	-	-	JUCS-RB/RT	-	-	-
SRT-51T-**	-	YC-143R	-	-	-	-	-	LRT-51T-**	-	-
SRWF-01GG-M0.6	-	-	-	-	-	-	-	-	EJ-RPZ	-
SRWM-01GG-S0.6	-	-	-	-	-	-	-	-	EJ-RPZ	-
SRWF-21GG-M0.6	-	-	-	-	-	-	-	-	EJ-RPZ	-
SRWM-21GG-S0.6	-	-	-	-	-	-	-	-	EJ-RPZ	-
SRWF-61GG-M0.6	-	YC-840R	-	-	-	-	-	BRWF-61GG-M0.6	EJ-RPZ	-
SRWM-61GG-S0.6	-	YC-840R	-	-	-	-	-	BRWM-61GG-S0.6	EJ-RPZ	-
SSFH-001T-P0.5	-	-	-	-	-	-	-	-	EJ-SFH	-
SSFH-002T-P0.5	-	-	-	-	-	-	-	-	EJ-SFH	-
SSH-003T-P0.2-H	YRS-859	-	-	-	-	-	WC-SH2832	-	-	-
SSH-003GA-P0.2	YRS-859	-	-	-	-	-	WC-SH2832	-	-	-
SSHL-002T-P0.2	YRS-1140	-	-	-	-	-	WC-GH2630	-	-	-
SSHL-003T-P0.2	YRS-859	-	-	-	-	-	WC-SH2832	-	-	-
SSHL-003GA1-P0.2	YRS-859	-	-	-	-	-	WC-SH2832	-	-	-
SSF/M-01T-P1.4	-	YC-500	-	-	-	-	-	BSF/M-01T-P1.4	SLJ-1.4	ITBL-08V
SSF/M-21T-P1.4	-	YC-550	-	-	-	-	WC-550	BSF/M-21T-P1.4	SLJ-1.4	-
STI-01(T)-110N	-	YC-041	-	-	-	-	-	LTI-01(T)-110N	-	-

Note: Contact JST for wire range.

Crimping tools

Terminals and parts model number in alphabetical order	Hand tools					Hand tools		Extraction and Insertion tools	
	for chain terminals	for loose piece terminals				for loose piece terminals		Extraction tool	Insertion tool
	YRS series	YC series	YRM series	YRF series	YRK · YRK-EX series	WC & JUC series JUK's Hand Tools	Terminal in loose form model No.		
STI-1.0-250D/N	-	-	-	-	-	-	JUCS-TI	-	-
STI-2.5-250D/N	-	-	-	-	-	-	JUCS-TI	-	-
STI-41(T)-110N	-	YC-063	-	-	-	-	-	LTI-41(T)-110N	-
STI-51(T)-250N	-	YC-322	-	-	-	-	-	LTI-51(T)-250N	-
STO-01(T)-110N(-8)	-	YC-041	-	-	-	-	-	LTO-01(T)-110N(-8)	-
STO-01(T)-187N(-8)	-	YC-042	-	-	-	-	-	LTO-01(T)-187N(-8)	-
STO-0.25-110N	-	YC-810	-	-	-	-	-	-	-
STO-0.5-110N	-	YC-820	-	-	-	-	JUCS-05110	-	-
STO-1.0-110N	-	-	-	-	-	-	JUCS-2.8/4.8	-	-
STO-1.0-187N	-	-	-	-	-	-	JUCS-2.8/4.8	-	-
STO-1.0-250N	-	-	-	-	-	-	JUCS-6.3	-	-
STO-2.5-250N	-	-	-	-	-	-	JUCS-6.3	-	-
STO-21(T)-205N	-	YC-053	-	-	-	-	-	LTO-21(T)-205N	-
STO-21(T)-250N	-	YC-102	-	-	-	-	-	LTO-21(T)-250N	-
STO-41(T)-110N(-8)	-	YC-062	-	-	-	-	-	LTO-41(T)-110N(-8)	-
STO-41(T)-187N(-8)	-	YC-051	-	-	-	-	-	LTO-41(T)-187N(-8)	-
STO-41T-187S	-	YC-064	-	-	-	-	-	LTO-41T-187S	EJ-187S
STO-61(T)-250N	-	YC-047	-	-	-	-	-	LTO-61(T)-250N	-
STO-81(T)-250N	-	YC-280	-	-	YRF-280	-	-	LTO-81(T)-250N	-
STS/D-002GG-P0.6	YRS-1360	-	-	-	-	-	-	-	EJ-TSD
SVA-41T-P1.1	-	YC-450	-	-	-	-	-	BVA-41T-P1.1	-
SVF-01T-1.5A	-	YC-044	-	-	-	-	-	LVF-01T-1.5A	-
SVF-01T-1.5N	-	YC-151	-	-	-	-	-	LVF-01T-1.5N	EJ-SV
SVF-01T-2.36N	-	YC-152	-	-	-	-	-	LVF-01T-2.36N	EJ-LV
SVF-42T-P2.0	-	YC-592	-	-	-	-	WC-592	BVF-42T-P2.0	VLJ-20
SVM-42T-P2.0	-	YC-593	-	-	-	-	WC-592	BVM-42T-P2.0	VLJ-20
SVF/M-61T-P2.0	-	YC-590	-	-	YRF-590	-	WC-590	BVF/M-61T-P2.0	VLJ-20
SVF/M-81T-P2.0	-	-	-	-	YRF-591	-	WC-591	BVF/M-81T-P2.0	VLJ-20
SVH-21T-P1.1	-	YC-160R YC-161R YC-164R	YRM-160 - YRM-164	-	-	-	WC-160	BVH-21T-(P)1.1	EJ-NV
SVH-41T-P1.1	-	YC-930R YC-931R	-	-	-	-	WC-930	BVH-41T-P1.1	EJ-NV
SVT-41T-P1.1	-	YC-630	-	-	-	-	-	BVT-41T-P1.1	EJ-VT
SVU-21T-P0.6	-	YC-990R	-	-	-	-	-	BVU-21T-P0.6	EJ-VU4
SVYF-61T-P0.5A	-	-	-	-	YRF-536	-	-	-	-
SWPJT-21T-P0.5	-	-	-	-	-	-	-	-	EJ-WPJ
SWPJT-21T-P0.5A	-	-	-	-	-	-	-	-	EJ-WPJ
SWPJR-21T-M0.5	-	-	-	-	-	-	-	-	EJ-WPJ
SWPKP-21T-0.6	-	-	-	-	YRF-1051	-	-	BWPKP-21T-0.6	-
SWPKR-21T-0.6	-	-	-	-	YRF-1050	-	-	BWPKR-21T-0.6	-
SWPR-001T-P025	YRS-980	-	-	-	-	-	WC-JWPF	-	EJ-JWPF
SWPT-001T-P025	YRS-980	-	-	-	-	-	WC-JWPF	-	EJ-JWPF
SXA-01T-P0.6	YRS-701	YC-701R	-	-	-	-	WC-700M	BXA-01T-P0.6	EJ-XAG, EJ-XMP
SXA-001T-P0.6	YRS-692	YC-692R	-	-	-	-	-	BXA-001T-P0.6	EJ-XMP, EJ-XMR
SXA-001T-P0.6L	YRS-691	-	-	-	-	-	WC-691	-	IT-XA

Note: Contact JST for wire range.

Crimping tools

Terminals and parts model number in alphabetical order	Hand tools					Hand tools			Extraction and Insertion tools	
	for chain terminals	for loose piece terminals				for loose piece terminals			Extraction tool	Insertion tool
	YRS series	YC series	YRM series	YRF series	YRK · YRK-EX series	WC & JUC series JUK's Hand Tools	Terminal in loose form model No.			
SXAM-01T-P0.6	YRS-701	YC-701R	-	-	-	WC-700M	BXAM-01T-P0.6	EJ-XAW	-	
SXAM-001T-P0.6	YRS-692	YC-692R	-	-	-	-	BXAM-001T-P0.6	EJ-XAW	-	
SXF-01T-P0.7	-	YC-251	-	-	-	-	BXF-01T-(P)0.7	LEJ-7	-	
SXF-41T-P0.7	-	YC-252	-	-	-	-	BXF-41T-(P)0.7	LEJ-7	-	
SXH-001T-P0.6	YRS-110	YC-110R YC-111R	-	-	-	WC-110	BXH-001T-P0.6	XJ-06	-	
SXH-001T-P0.6N	-	-	-	-	-	-	-	XJ-06	-	
SXH-002T-P0.6	YRS-480	-	-	-	-	-	-	XJ-06	-	
SXM-01T-P0.6	YRS-701	YC-701R	-	-	-	-	BXM-01T-P0.6	EJ-XAG,EJ-XMP	-	
SXM-001T-P0.6	YRS-692	YC-692R	-	-	-	-	BXM-001T-P0.6	EJ-XMP, EJ-XMR	IT-XA	
SXNI-001T-P0.6	YRS-1380	-	-	-	-	-	-	-	-	
SXNI-003T-P0.6	YRS-1390	-	-	-	-	-	-	-	-	
SYF-001T-P0.6	YRS-125	-	-	-	-	-	-	-	-	
SYF/M-01T-P0.5A	-	YC-520	-	-	-	WC-520	BYF/M-01T-P0.5A	YLJ-0.5	-	
SYF/M-41T-P0.5A	-	YC-530	-	-	-	WC-530	BYF/M-41T-P0.5A	YLJ-0.5	-	
SYF-61T-P0.5A	-	-	-	YRF-536	-	-	-	-	-	
SYM-001T-P0.6	YRS-121	YC-121R	-	-	-	WC-121	BYM-001T-P0.6	SMJ-06	-	
SYM-01T-P0.7	-	YC-251	-	-	-	-	BYM-01T-(P)0.7	LEJ-7	-	
SYM-41T-P0.7	-	YC-252	-	-	-	-	BYM-41T-(P)0.7	LEJ-7	-	
SZE-002T-P0.3	YRS-1300	-	-	-	-	-	-	-	-	
SZE-003T-P0.3	YRS-1330	-	-	-	-	-	-	-	-	
SZF/M-01T-P0.7	-	YC-390R	-	-	-	-	BZF/M-01T-(P)0.7	ZLJ-07S	-	
SZF/M-41T-P0.7	-	YC-380R	-	-	-	-	BZF/M-41T-(P)0.7	ZLJ-07S	-	
SZH-002T-P0.5	YRS-491	-	-	-	-	WC-491	-	-	-	
SZH-003T-P0.5	YRS-490	-	-	-	-	WC-490	-	-	-	
SZN-002T-P0.7K	YRS-541	-	-	-	-	-	-	-	-	
SZN-003T-P0.7K	YRS-540	-	-	-	-	-	-	-	-	
SZPD-002T-P0.3	YRS-1460	-	-	-	-	-	-	-	-	

Note: Contact JST for wire range.

YRK series hand crimping tools suitable for mass-production

- Crimping work, such as setting contacts to hand tools etc., is facilitated by using a strip contact to improve the productivity.
- A light operation enables to terminate the contact correctly, by adopting straight-ahead crimping.
- A structure, that the carrier of contact doesn't fly off, has been adopted to this tool.

Hand Crimping Tools YRK Standard type

- When exchanging the crimping suitable for the wire specification can be conducted.
- Anvil is fixed to tool.



Dimensions: 75(W)×314(L)×25(D)mm
Weight: Approx. 800g (When assembling dies)

Contact and Applicable dies

Series	Nominal	Contact Model No.		Hand crimp tools	Model No. of crimping	Applicable wire size		
		Receptacle	Tab			Marking	AWG	Insulation O.D. (mm)
J1000 Type II	L	SF1F-21 (*) -P0.6	SF1M-21 (*) -M0.6A	YRK-1210	LA / LB LC / LD	LA	#22	1.58
						LB	KV0.75	1.90
						LC	#20	1.76
						LD	#18	2.03
J2000	S	SJ2F-002GF-P1.0	SJ2M-002GF-M1.0N	YRK-8851	SA / SB	SA	#28	1.20
						SB	#24	1.43
	M	SJ2F-01GF-P1.0	SJ2M-01GF-M1.0N	YRK-8861	MA / MB	MA	#24	1.43
						MB	#20	1.53 *2
L	SJ2F-21GF-P1.0	SJ2M-21GF-M1.0N	YRK-1120	LA / LB	LA	#22	1.58	
					LB	#20	1.76	
J300	S	SF3F-002 (*) -P2.0	—	YRK-8821	SA / SB SC / SD	SA	#28	1.20
						SB	#24	1.43
						SC	#26	1.30
						SD	#24	1.11
	M	SF3F-01 (*) -P2.0	SF3M-01 (*) -M2.0N	YRK-8811	MA / MB MC / MD	MA	#24	1.43
						MB	#20	1.76
						MC	#22	1.58
						MD	#20	2.56
	L	SF3F-41 (*) -P2.0	SF3M-41 (*) -M2.0N	YRK-8801	LA / LB LC / LD	LA	#20	1.76
						LB	#16	2.35
						LC	#18	2.03
						LD	#18	2.83
2L	SF3F-71 (*) -P2.0	SF3M-71 (*) -M2.0N	YRK-1071	2LA / 2LB	2LA	#16	3.10	
					2LB	#14	3.30	

Note: 1. J1000 Finish(*): T..... Tin-plated
GC... Gold-plated
2. J300 Finish(*): GF... Nickel-undercoated, 0.38μm selective gold-plated
GI... Nickel-undercoated, 0.76μm selective gold-plated
T..... Tin-plated

3. The wear of parts is caused by using hand tool repeatedly.
Measure the crimping height daily and conduct periodical inspection of the wearing parts, such as ratchet, pin and so on.

Dies replacement type hand crimping tools

YRK-EX

- High reliability of crimping is provided by choosing the crimper and anvil suitable for the wire specification.
- The crimping die can be easily exchanged by only insertion and extraction of pin.
- Common handle and crimping dies can be stored in One case and it is easy to carry.

Patent pending



Dimensions: 75(W)×314(L)×25(D)mm
Weight: Approx. 800g (When assembling dies)

Dimensions: 376(W)×295(L)×73(D)mm

Contact and Applicable dies

Series	Nominal	Contact Model No.		Crimper Model No.	Crimper *1			Anvil	Color mark	Common parts	
		Receptacle	Tab		Applicable wire size						
					Die mark	AWG	Insulation O.D. (mm)				
J1000 Type II	L	SF1F-21(*)-P0.6	SF1M-21(*)-M0.6A	J1LA / B J1LC / D	A	#20	1.76	J1LL	Yellow green		
					B	#18	2.03				
					C	#22	1.58				
					D	KV0.75	1.90				
J2000	S	SJ2F-002GF-P1.0	SJ2M-002GF-M1.0N	J2SA / B	A	#28	1.20	J2SL	White	Handle unit Upper pin Lower pin Case	
					B	#24	1.43				
	M	SJ2F-01GF-P1.0	SJ2M-01GF-M1.0N	J2MA / B	A	#24	1.43	J2ML	Purple		
					B	#20	1.53 *2				
	L	SJ2F-21GF-P1.0	SJ2M-21GF-M1.0N	J2LA / B	A	#22	1.58	J2LL	Orange		
					B	#20	1.76				
J300	S	SF3F-002 (*) -P2.0	—	J3SA / B J3SC / D	A	#28	1.20	J3SL	Yellow		
					B	#24	1.43				
					C	#26	1.30				
					D	#24	1.11				
	M	SF3F-01 (*) -P2.0	SF3M-01 (*) -M2.0N	YRK-8811	J3MA / B J3MC / D	A	#24	1.43	J3ML		Green
						B	#20	1.76			
						C	#22	1.58			
						D	#20	2.56			
	L	SF3F-41 (*) -P2.0	SF3M-41 (*) -M2.0N	YRK-8801	J3LA / B J3LC / D	A	#20	1.76	J3LL		Red
						B	#16	2.35			
						C	#18	2.03			
						D	#18	2.83			
2L	SF3F-71 (*) -P2.0	SF3M-71 (*) -M2.0N	YRK-1071	J32LA / B	A	#16	3.10	J32LL	Blue		
					B	#14	3.30				

Note: 1. J1000 Finish(*): T..... Tin-plated
GC... Gold-plated
2. J300 Finish(*): GF... Nickel-undercoated, 0.38μm selective gold-plated
GI... Nickel-undercoated, 0.76μm selective gold-plated
T..... Tin-plated

3. The wear of parts is caused by using hand tool repeatedly.
Measure the crimping height daily and conduct periodical inspection of the wearing parts, such as ratchet, pin and so on.

*1... Crimper is either the pair of A and B or the pair of C and D.
*2... When using wire type UL 2517.