

**Modular Crimp Head
Order No. 63825-8870**

Application Tooling Specification Sheet

**Hand Crimp Tool
Order No. 63825-8800**

FEATURES

- % A full cycle ratcheting hand tool ensures complete crimps
- % Ergonomically designed soft handles
- % Precisely designed crimping profiles with simple contact positioning
- % Easy handling due to outstanding force ratio
- % A-620 Class 2 compliant as indicated and RoHS compliant
- % Modular Crimp Head is removable and can be use in the Air Powered Tool Order No.63816-0100, accompanied by Air Powered Crimp Adapter (Order No. 63816-0700)
- % Can also be used in the Battery Powered Tool Order No.63816-0200 (110 V) or 63816-0250 (220 V), accompanied by Battery Powered Crimp Adapter (Order No. 63816-0600)

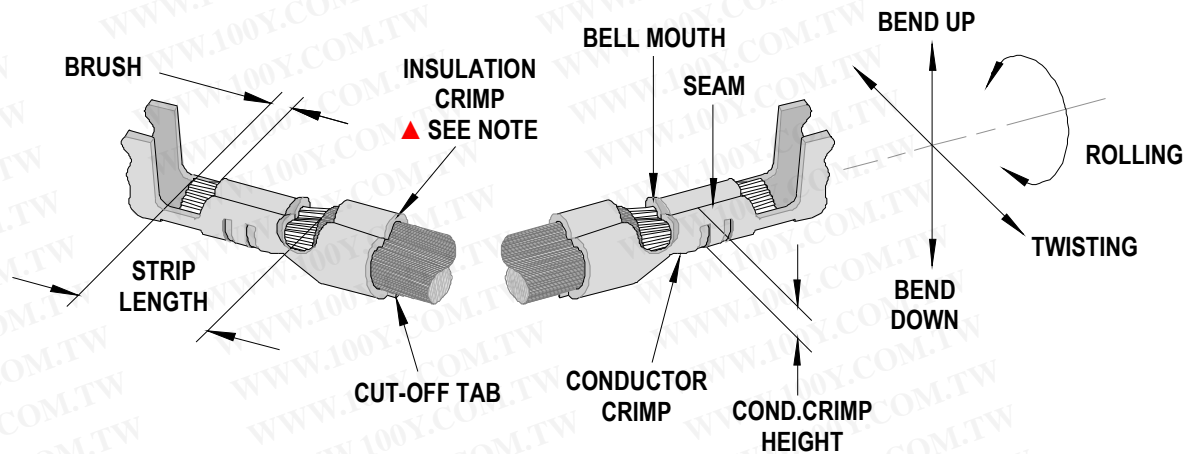
SCOPE

Products: SL™ Crimp Terminals, 24-30 AWG.

Terminal Series No.	Terminal Order No.				Wire Size		Insulation Diameter		Strip Length	
	Loose Piece		*Reel		AWG	mm ²	mm	In.	mm	In.
50083	50083-8100	50083-8160	50083-8000	50083-8060	24-30	0.20-0.05	1.01-1.52	.040-.060	2.54-3.17	.100-.125
	50083-8114	50083-8170	50083-8114	50083-8070						
50087	50087-8100	50087-8130	50087-8000	50087-8060	24-30	0.20-0.05	1.01-1.52	.040-.060	2.54-3.17	.100-.125
	50087-8114	50087-8160	50087-8014	50087-8099						
70021	16-02-0108	40-08-0872	16-02-0077	16-02-0105	24-30	0.20-0.05	1.01-1.52	.040-.060	2.54-3.17	.100-.125
	16-02-0109		16-02-0078	40-08-0871						
	16-02-0110		16-02-0091							
70058	16-02-0096	70058-0096	16-02-0069	16-02-0150	24-30	0.20-0.05	1.01-1.52	.040-.060	2.54-3.17	.100-.125
	16-02-0097	70058-0097	16-02-0082	70058-0069						
	16-02-0098	70058-4096	16-02-0083	70058-0082						
	16-02-0140		16-02-0137	70058-0083						
	16-02-0151		16-02-0139	70058-4069						
71851	16-02-1109	16-02-0117	16-02-1112	16-02-0119	24-30	0.20-0.05	1.01-1.52	.040-.060	2.54-3.17	.100-.125
	16-02-1116	16-02-1117	16-02-1113	71851-0119						

*For customer to cut off terminal from reel, see crimp specifications for desired terminal series.

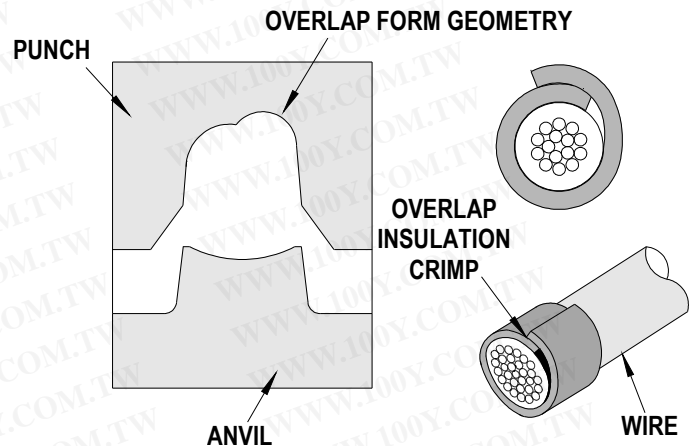
DEFINITION OF TERMS



The above terminal drawing is a generic terminal representation. It is not an image of a terminal listed in the scope.

▲ Insulation Crimp Note:

Due to the terminal’s insulation grip design and/or insulation diameter range, this tool uses “overlap” form geometry in the insulation punch. This produces an overlap insulation crimp (A620 – compliant). While the insulation punch profile may appear “lopsided”, this is a normal condition for this tool. See figure to the right. (Some tools with multiple crimp pockets may not have the “overlap” profile on all pockets).



CRIMP SPECIFICATIONS:

Terminal Series No.	Bell mouth		Cut-off Tab Maximum				Conductor Brush	
	mm	In.	Front		Rear		mm	In.
			mm	In.	mm	In.		
50083	0.20-0.50	.008-.020	0.15	.006	0.30	.012	0.00-1.00	.000-.039
50087	0.20-0.50	.008-.020	0.15	.006	0.30	.012	0.00-1.00	.000-.039
70021	0.20-0.50	.008-.020	0.13	.005	0.13	.005	0.00-1.00	.000-.039
70058	0.20-0.50	.008-.020	0.13	.005	0.08	.003	0.00-1.00	.000-.039
71851	0.20-0.50	.008-.020	0.13	.005	0.08	.003	0.00-1.00	.000-.039

Terminal Series No.	Bend up	Bend down	Twist	Roll	Seam Seam shall not be open and no wire allowed out of the crimping area
	Degree		Degree		
50083	3	3	3	8	
50087	3	3	3	8	
70021	3	3	3	8	
70058	3	3	3	8	
71851	3	3	3	8	

After crimping, the conductor profiles should measure the following.

Terminal Series No	Wire Size		Conductor Crimp				Insulation Crimp				Pull Force Minimum		Profile			
			Height		Width (Ref.)		Height (Ref.)		Width (Ref.)							
	AWG	mm²	mm	In.	mm	In.	mm	In.	mm	In.	N	Lb.	24	26	28	30
50083	24	0.20	0.79-0.87	.031-.034	1.05	.041	1.60	.063	1.60	.063	29.4	6.61	X			
	26	0.12	0.74-0.81	.029-.032	1.05	.041	1.58	.062	1.58	.062	19.6	4.41		X		
	28	0.08	0.71-0.78	.028-.031	1.05	.041	1.55	.061	1.58	.062	9.8	2.20			X	
	30	0.05	0.67-0.74	.026-.029	1.05	.041	1.55	.061	1.57	.062	4.9	1.10				X
50087	24	0.20	0.79-0.87	.031-.034	1.05	.041	1.60	.063	1.60	.063	29.4	6.61	X			
	26	0.12	0.74-0.81	.029-.032	1.05	.041	1.58	.062	1.58	.062	19.6	4.41		X		
	28	0.08	0.71-0.78	.028-.031	1.05	.041	1.55	.061	1.58	.062	9.8	2.20			X	
	30	0.05	0.67-0.74	.026-.029	1.05	.041	1.55	.061	1.57	.062	4.9	1.10				X
70021	24	0.20	0.79-0.84	.031-.033	1.05	.041	1.60	.063	1.60	.063	28.9	6.50	X			
	26	0.12	0.74-0.79	.029-.031	1.05	.041	1.58	.062	1.58	.062	17.8	4.00		X		
	28	0.08	0.71-0.76	.028-.030	1.05	.041	1.55	.061	1.58	.062	11.1	2.50			X	
	30	0.05	0.66-0.71	.026-.028	1.05	.041	1.55	.061	1.57	.062	6.7	1.50				X
70058	24	0.20	0.79-0.84	.031-.033	1.05	.041	1.60	.063	1.60	.063	28.9	6.50	X			
	26	0.12	0.74-0.79	.029-.031	1.05	.041	1.58	.062	1.58	.062	17.8	4.00		X		
	28	0.08	0.71-0.76	.028-.030	1.05	.041	1.55	.061	1.58	.062	11.1	2.50			X	
	30	0.05	0.66-0.71	.026-.028	1.05	.041	1.55	.061	1.57	.062	6.7	1.50				X
71851	24	0.20	0.79-0.84	.031-.033	1.05	.041	1.60	.063	1.60	.063	28.9	6.50	X			
	26	0.12	0.74-0.79	.029-.031	1.05	.041	1.58	.062	1.58	.062	17.8	4.00		X		
	28	0.08	0.71-0.76	.028-.030	1.05	.041	1.55	.061	1.58	.062	11.1	2.50			X	
	30	0.05	0.66-0.71	.026-.028	1.05	.041	1.55	.061	1.57	.062	6.7	1.50				X

● To Achieve IPC-A-620 Class 2 Crimps, the following over-all wire insulation diameter ranges are recommended:
 Profile 24: 1.25-1.40mm (.049-.055 inch) Profile 26: 1.15-1.35mm (.045-.053 inch)
 Profile 28: 1.10-1.30mm (.043-.051 inch) Profile 30: 1.10-1.25mm (.043-.049 inch)

Tool Qualification Notes:

1. Pull Force should be measured with no influence from the insulation crimp.
2. The above specifications are guidelines to an optimum crimp.

Notes:

1. This tool should only be used for the terminals and wire gauges specified on this sheet.
2. This tool is not adjustable for crimp height. Variations in tools, terminals, wire stranding, and insulation types may affect crimp height.
3. This tool is intended for standard conductor sizes. It may not give a good insulation crimp support for all insulation sizes.
4. Molex does not repair hand tools (see warranty above). The replacement parts listed are the only parts available for repair. If the handles or crimp tooling is damaged or worn, a new tool must be purchased.
5. Pull force should be used as the final criteria for an acceptable crimp. Pull force is measured with no influence from the insulation crimp. The insulation should be stripped long (1/2 in.) so the insulation grips on the terminal do not grip the wire insulation or the conductor. Refer to Molex Quality Crimping Handbook 63800-0029 for additional information on crimping and crimp testing.
6. Molex does not certify crimp hand tools.

OPERATION

Open the tool by squeezing the handles together, at the end of the closing stroke, the ratchet mechanism will release the handles, and the hand tool will spring open.

1. With the hand tool in the open position, pivot the terminal locator open by pulling on the locator knob and lift the wire stop blade up. See Figure 1.
2. Insert the terminal into the correct profile until the terminal is fully seated and stops. Make sure the wire stop blade is fully in up position.
3. Gently pivot the locator closed.
4. Bring down the wire stop blade. Make sure the wire stop blade is fully seated on the terminal behind the conductor grip section.
5. Slide the pre-stripped wire into the terminal; make sure to aim the wire brush towards the tip point on the wire stop blade. See Figure 2. Align the wire so that it is parallel and sitting into the terminal. Maintain a light and constant pressure on the wire that is seated in the terminal at all times. (Do not let go of the wire.) Be sure to hold the wire and terminal in place until the terminal is fully crimped. See Figure 3.

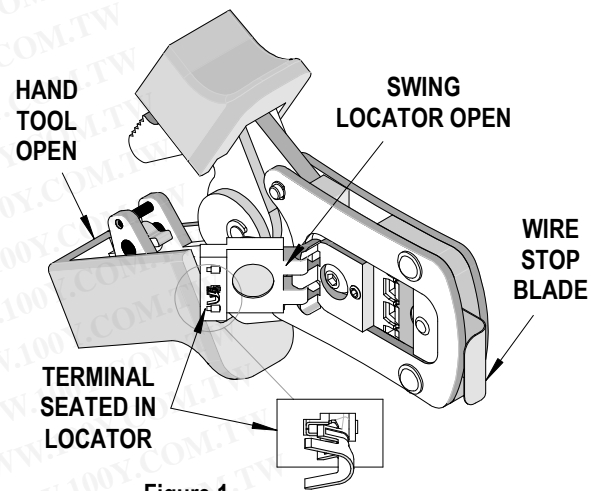


Figure 1

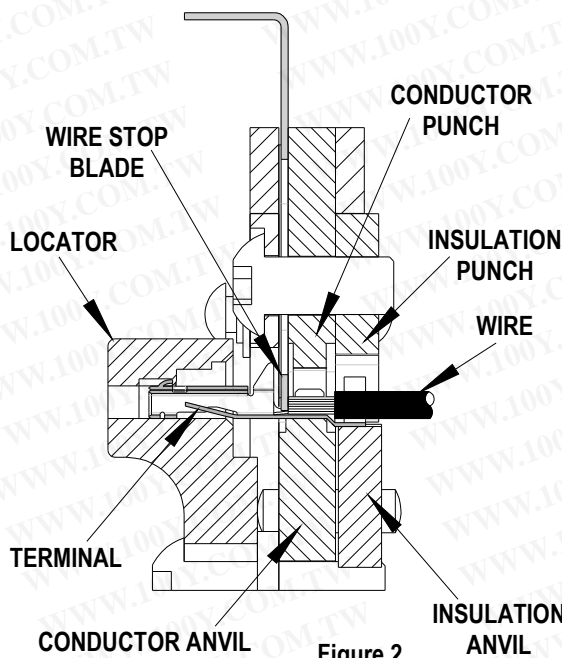


Figure 2

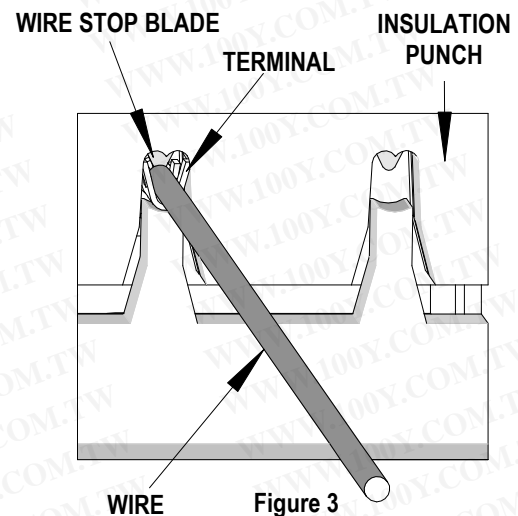


Figure 3

6. Close the tool until the ratchet releases, the tool handles will then spring open.
7. Lift the wire stop blade up.
8. Carefully remove the crimped terminal. Pivot the terminal locator slightly out if necessary. See Figure 4.

Note: The tamper proof ratchet action will not release the tool until it has been fully closed.

Note: To maintain good brush control and a consistent bell mouth the crimping instructions must be followed.

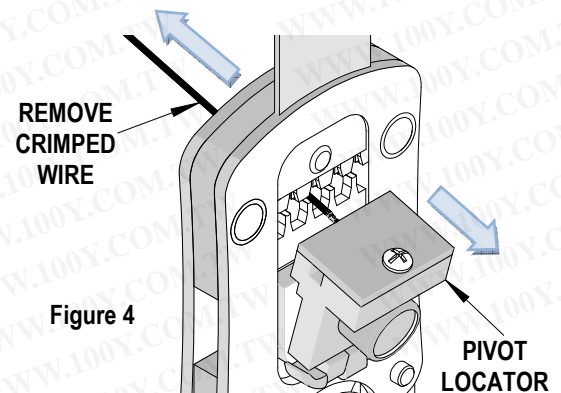


Figure 4

Terminal Locator Replacement/Change Over

This section describes the procedure for changing locators.

Removal

1. With the tool in the open position, pivot the terminal locator outward.
2. Remove the M4 BHCS. See Figure 4.

Installation

1. Place the replacement locator on the hand tool. Install the M4 BHCS. See Figure 6.
2. Tighten the screw enough to hold the locator. Make sure the locator can still float freely with hand pressure.
3. Insert the proper terminal fully into the correct profile slot until the terminal is fully seated and stops. Then gently pivot the locator closed.
4. With hand pressure, slowly slide the locator to the correct position. See Figure 6.
5. Gently pivot the locator open without disturbing the location.
6. Hold the locator firmly in place and slowly tighten the M4 BHCS.

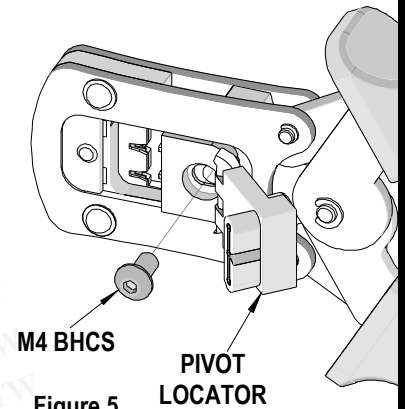


Figure 5

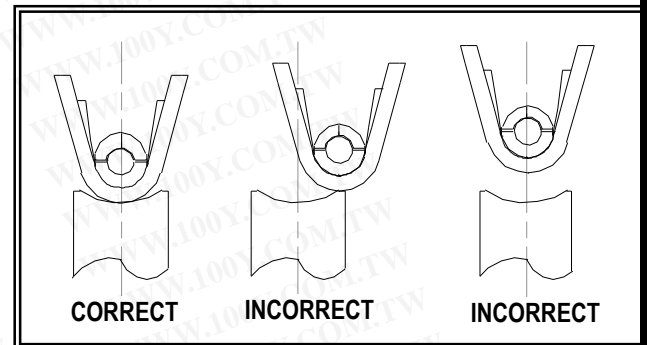


Figure 6

Maintenance

It is recommended that each operator of the tool be made aware of, and responsible for, the following maintenance steps:

1. Remove dust, moisture, and other contaminants with a clean brush, or soft, lint free cloth.
2. Do not use any abrasive materials that could damage the tool.
3. Make certain all pins; pivot points and bearing surfaces are protected with a thin coat of high quality machine oil. Do not oil excessively. The tool was engineered for durability but like any other equipment it needs cleaning and lubrication for a maximum service life of trouble free crimping. Light oil (such as 30 weight automotive oil) used at the oil points, every 5,000 crimps or 3 months, will significantly enhance the tool life.
4. Wipe excess oil from hand tool, particularly from crimping area. Oil transferred from the crimping area onto certain terminations may affect the electrical characteristics of an application.
5. When tool is not in use, keep the handles closed to prevent objects from becoming lodged in the crimping dies, and store the tool in a clean, dry area.

Miscrimps or Jams

Should this tool ever become stuck or jammed in a partially closed position, **Do Not force the handles open or closed**. The tool will open easily by lifting the ratchet release lever. See Figure 10.

Warranty

This tool is for electrical terminal crimping purposes only. This tool is made of the best quality materials. All vital components are long life tested. All tools are warranted to be free of manufacturing defects for a period of 30 days. Should such a defect occur, we will repair or exchange the tool free of charge. This repair or exchange will not be applicable to altered, misused, or damaged tools. This tool is designed for hand use only. Any clamping, fixturing, or use of handle extensions voids this warranty.

CAUTION: Repetitive use of this tool should be avoided.

CAUTIONS:

1. Manually powered hand tools are intended for low volume or field repair. This tool is **NOT** intended for production use. Repetitive use of this tool should be avoided.
2. Insulated rubber handles are not protection against electrical shock.
3. Wear eye protection at all times.
4. Use only the Molex terminals specified for crimping with this tool.

CAUTION: Molex crimp specifications are valid only when used with Molex terminals and tooling.

Applications for the Modular Crimp Head

WARNING: NEVER operate, service, install, or adjust this Modular Crimp Head without proper instruction and without first reading and understanding the instructions in the proper Manual or Specification Sheet. See Chart below for the correct Manual or Specification Sheet.

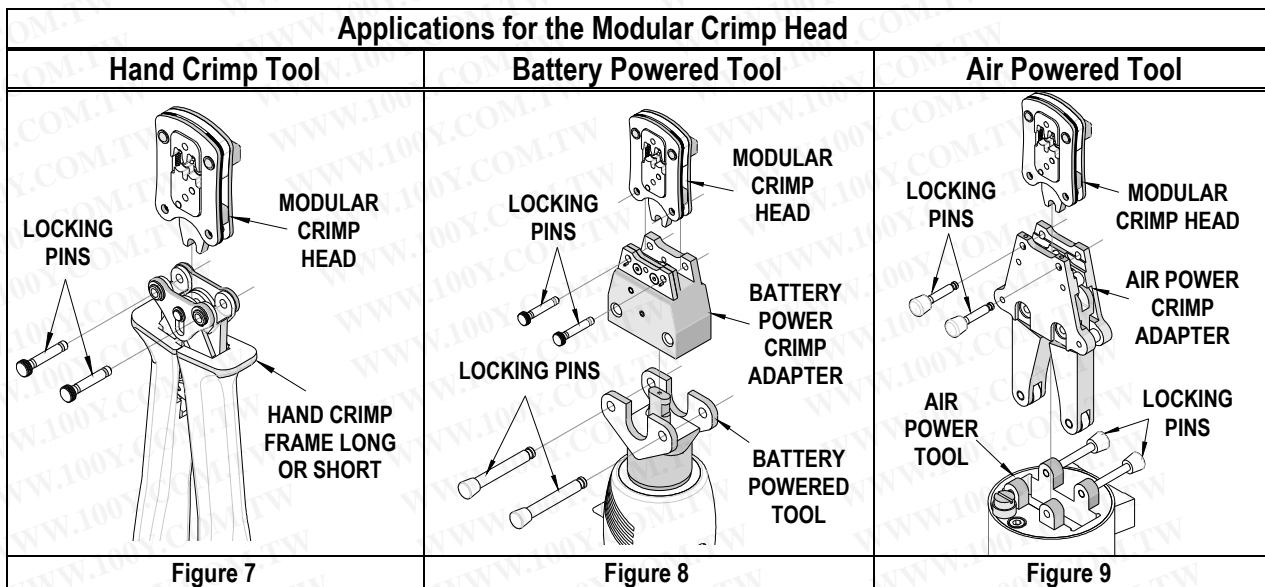
WARNING: NEVER install tooling or service this tool while it is into any power source. Disconnect the power by unplugging or turn off the Actuator from its power source.

CAUTION: Keep fingers away from the crimping area when operating this tool. It may cause severe injury.

CAUTION: Wear safety glasses when operating or serving this tool.

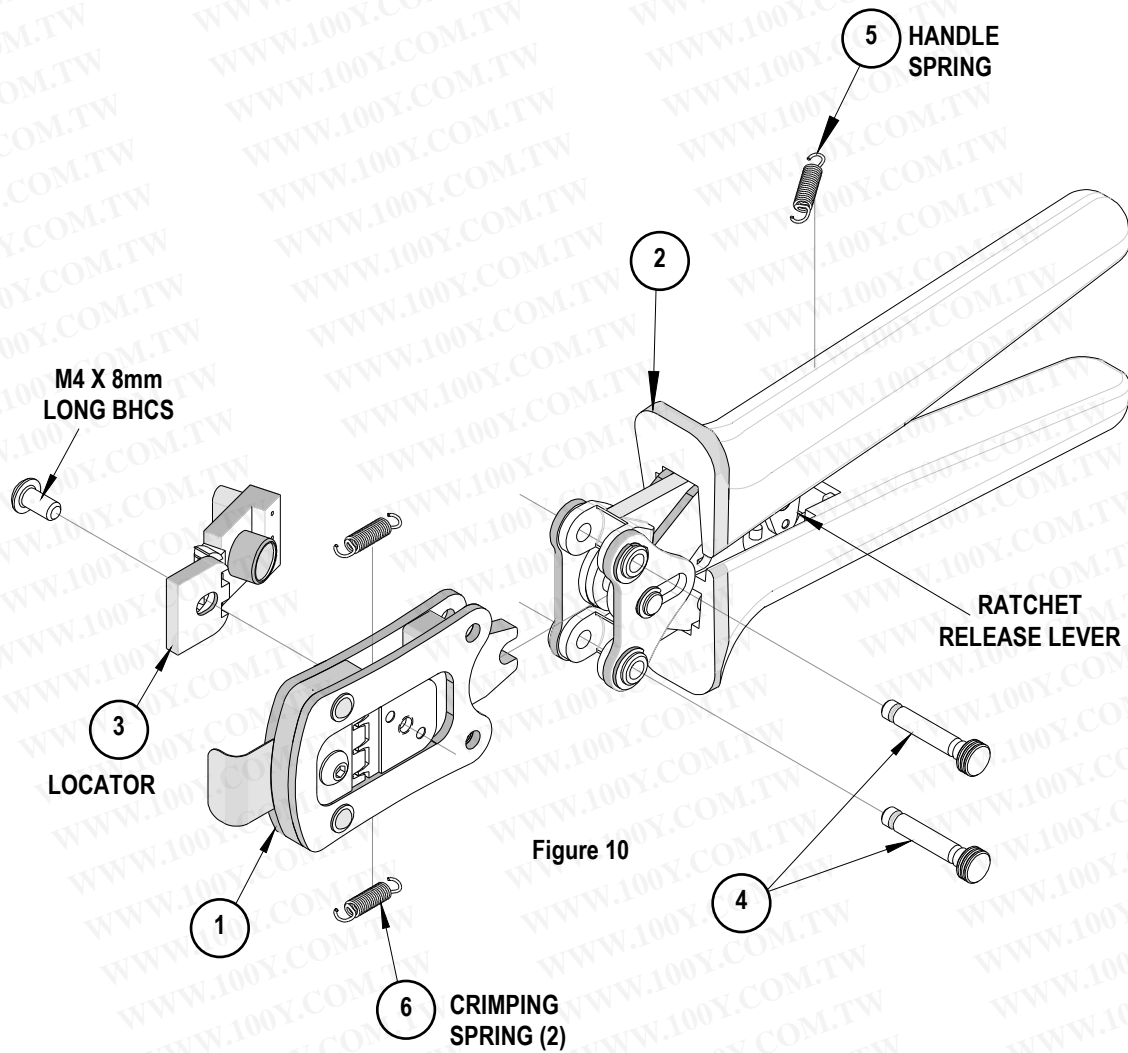
The chart below shows all applications for this Modular Crimp Head.

Modular Crimp Head Order No.	Tool Order no.	Tool Description	Adapter Order No.	Adapter Description	Figure No.
63825-8870	63816-0000	Hand Crimp Frame (Short)	N/A	N/A	7
	63816-0050	Hand Crimp Frame (Long)	N/A	N/A	7
	63816-0200	Battery Power Tool (110 V)	63816-0600	Battery Power Crimp Adapter	8
	63816-0250	Battery Power Tool (220 V)	63816-0600	Battery Power Crimp Adapter	8
	63816-0100	Air Power Tool	63816-0700	Air Power Crimp Adapter	9



PARTS LIST

Item	Order Number	Description	Quantity
1	63825-8870	Modular Crimp Head	1
2	63816-0000	Hand Crimp Frame (Short)	1
3	63825-8875	Locator	1
4	63816-0001	Locking Pin	2
5	63600-0525	Handle Spring	1
6	63600-0520	Crimping Spring	2



Visit our Web site at <http://www.molex.com>