

E/UK

Order No.: 1201442

勝特力材料 886-3-5753170
 勝特力电子(上海) 86-21-34970699
 勝特力电子(深圳) 86-755-83298787
[Http://www.100y.com.tw](http://www.100y.com.tw)



End clamp, for assembly on NS 32 or NS 35/7.5 DIN rail

| Commercial data | |
|--------------------------|--------------------|
| GTIN (EAN) | 4 017918 017323 |
| sales group | B220 |
| Pack | 50 pcs. |
| Customs tariff | 39269097 |
| Catalog page information | Page 696 (CL-2009) |

Product notes

WEEE/RoHS-compliant since:
07/01/2005



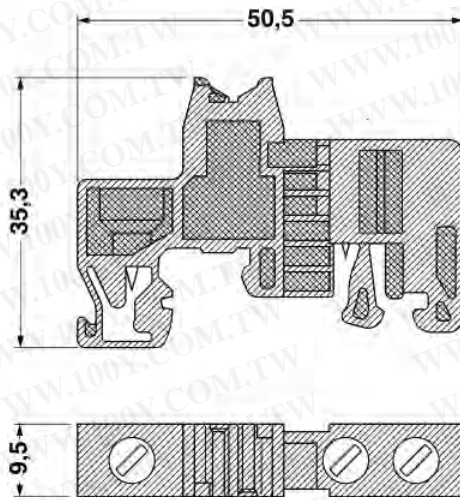
| Technical data | |
|------------------------------------|---------|
| General | |
| Length (b) | 50.5 mm |
| Height | 35.3 mm |
| Width (a) | 9.5 mm |
| Color | gray |
| Inflammability class acc. to UL 94 | V2 |
| Material | PA |

Accessories

| Item | Designation | Description |
|-----------------|-------------------------------|---|
| Assembly | | |
| 1201028 | NS 32 AL UNPERF 2000MM | G rail 32 mm (NS 32) |
| 1201280 | NS 32 CU/120QMM UNPERF 2000MM | G-profile DIN rail, deep-drawn, material: Copper, unperforated, height 15 mm, width 32 mm, length 2 m |
| 1201358 | NS 32 CU/35QMM UNPERF 2000MM | G-profile DIN rail, material: Copper, unperforated, height 15 mm, width 32 mm, length 2 m |
| 1201002 | NS 32 PERF 2000MM | G-profile DIN rail, material: Steel, perforated, height 15 mm, width 32 mm, length 2 m |
| 1201015 | NS 32 UNPERF 2000MM | G-profile DIN rail, material: Steel, unperforated, height 15 mm, width 32 mm, length 2 m |
| 0801762 | NS 35/ 7,5 CU UNPERF 2000MM | DIN rail, material: Copper, unperforated, height 7.5 mm, width 35 mm, length: 2 m |
| 0801733 | NS 35/ 7,5 PERF 2000MM | DIN rail, material: Steel, galvanized and passivated with a thick layer, perforated, height 7.5 mm, width 35 mm, length: 2 m |
| 0801681 | NS 35/ 7,5 UNPERF 2000MM | DIN rail, material: Steel, unperforated, height 7.5 mm, width 35 mm, length: 2 m |
| 1201756 | NS 35/15 AL UNPERF 2000MM | DIN rail, deep-drawn, high profile, unperforated, 1.5 mm thick, material: Aluminum, height 15 mm, width 35 mm, length 2 m |
| 1201895 | NS 35/15 CU UNPERF 2000MM | DIN rail, material: Copper, unperforated, 1.5 mm thick, height 15 mm, width 35 mm, length: 2 m |
| 1201730 | NS 35/15 PERF 2000MM | DIN rail, material: Steel, perforated, height 15 mm, width 35 mm, length: 2 m |
| 1201714 | NS 35/15 UNPERF 2000MM | DIN rail, material: Steel, unperforated, height 15 mm, width 35 mm, length: 2 m |
| 1201798 | NS 35/15-2,3 UNPERF 2000MM | DIN rail, material: Steel, unperforated, 2.3 mm thick, height 15 mm, width 35 mm, length: 2 m |
| Marking | | |
| 1004089 | UBE + ES/KMK 3 | Marker carrier, color: Gray for marking groups of terminals, for end clamp E/UK or end clamp E/U, with perforated insert strips, 40 x 17 mm, can be labeled with CMS system |
| 1051003 | ZB 6:UNBEDRUCKT | Zack strip, unprinted, strips with 10 labels for individual labeling with M-PEN or CMS system, for terminal block width: 6.2 mm, color: white |

Diagrams/Drawings

Dimensioned drawing



勝特力材料 886-3-5753170
勝特力电子(上海) 86-21-34970699
勝特力电子(深圳) 86-755-83298787
[Http://www.100y.com.tw](http://www.100y.com.tw)