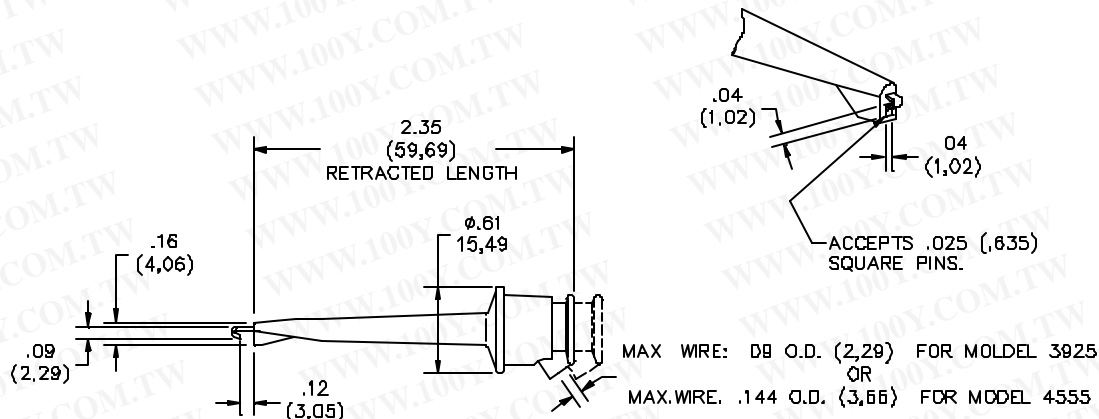


Pomona®

Model 3925 & Kits 4176-02 & 5522 Do-It-Yourself Minigrabber® Test Clip

勝特力材料 886-3-5753170
勝特力电子(上海) 86-21-34970699
勝特力电子(深圳) 86-755-83298787
Http://www.100y.com.tw



MATERIALS:

Body: Contact – Gold Plated Beryllium Copper, Spring – Stainless Steel

Insulation: Glass filled nylon.

Marking: “Pomona 3925”

RATINGS:

Operating Voltage: Hand-held testing: 30VAC/60VDC Max.

Hands free testing in controlled voltage environments: 300 WVDC Max.

Operating Temperature: +102°(+216°F.) Max.

Current: 5 Amperes

ORDERING INFORMATION: Model 3925, 4176-02 & 5522

Standard Colors: Available in 10 colors: -0 Black, -2 Red, -3 Orange, -4 Yellow, -5 Green, -6 Blue, -7 Violet, -8 Gray, -9 White

Kit 5522 contains 10 pieces of 3925, one of each color.

Kit 4176-02 contains 2 pieces of 3925, one Black / one Red

All dimensions are in inches. Tolerances (except noted): .xx = ±.02” (.51 mm), .xxx = ±.005” (.127 mm).

All specifications are to the latest revisions. Specifications are subject to change without notice.

Registered trademarks are the property of their respective companies. Made in USA

6/9/99

SY/EH/LS

S:\Engineering\Release\DataSheets\FIukeDataSheet\3925_K4176_K5522_1_01.doc

Sales: 800-490-2361 Fax: 888-403-3360

Technical Assistance: 800-241-2060

PomonaACCESS 90221 (800) 444-6785 or (425) 446-6010

More drawings available at www.pomonaelectronics.com

Page 1 of 1