

# RG 316



内部导体  
Inner Conductor

绝缘体  
Dielectric

外部导体  
Outer Conductor

护套  
Jacket

## 型号 Model

FEP RG 316

## 描述 Description

(316) 高频同轴电缆 FEP(茶色)护套  
(316) High Frequency coaxial cable with FEP (Brown) jacket

## 结构参数 Structure parameter

内部导体 Inner Conductor	镀银铜, 镀银铜包钢 Silver-Plated Copper, Silver-Plated Copper Clad Steel	7x0.175mm
绝缘层 Insulation Layer	聚四氟乙烯(PTFE) Polytetrafluoroethylene(PTFE)	1.53mm
外部导体 Outer Conductor	镀银铜线编织 Silver-Plated Copper Wire Braiding	1.95mm
护套 Jacket	聚全氟乙丙烯 (FEP), 茶色 Fluorinated Ethylene Propylene(FEP), Brown	2.50mm

## 电气特性 Electrical Data

阻抗 Impedance, nominal	50ohms
电容 Capacitance, nominal	106pF/m
延时 Signal delay, nominal	4.7ns/m
耐电压 Voltage withstand(AC)	2000V rms/min
绝缘电阻 Insulation resistance, nominal	1500 M $\Omega$ · km
传输速率 Velocity of propagation, nominal	70%

## 机械特性 Mechanical Data

恒定温度 Temperature rating	150°C
最小弯曲半径 Minimum bending radius	15mm
最大拉伸强度 Maximum tensile strength	3.4kg
重量 Weight of cable	17g/m

## 衰减量和功率 Attenuation and Power

频率数 Frequency(MHz)	衰减量 Attenuation(dB/m)	功率 Power(Watts CW)
100	0.29	420
400	0.58	210
900	0.88	140
1000	0.93	135
1800	1.27	100
2400	1.46	78
3000	1.65	72
5000	2.14	61
6000	2.34	52

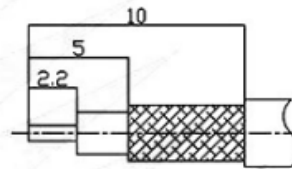
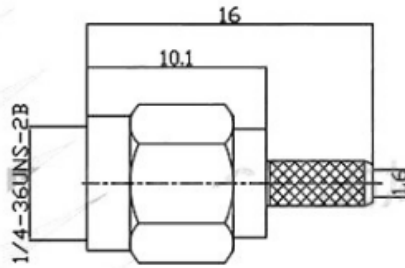
# 产品规格书

## PRODUCT SPECIFICATION

This document contains proprietary information and such information may not be disclosed to others for any purposes,  
本文件包含专有信息，不得出于任何目的向他人披露此类信息。  
not used for sales/marketing/procurement purposes without written permission.  
未经书面许可，不得用于销售/营销/采购目的。

- |  |            |
|--|------------|
| 1. Electrical/电气                               |            |
| 1.1 Impedance /阻抗                              | 50Ω        |
| 1.2 Frequency /频率                              | DC-6GHz    |
| 1.3 VSWR/驻波                                    | ≤1.2       |
| 1.4 Dielectric withstanding voltage /介质耐压      | 1000V(rms) |
| 1.5 Center contact resistance /中心接触电阻          | ≤3mΩ       |
| 1.6 Outer contact resistance /外部接触电阻           | ≤2mΩ       |
| 1.7 Insulation resistance/绝缘电阻                 | ≥5000MΩ    |
| 2 Environment & Mechanical/环境与机械               |            |
| 2.1 Temperature range/温度范围                     | -45°~+125° |
| 2.2 Rohs Compliant/符合RoHS                      |            |
| 2.3 Durability/耐久性                             | 500cycles  |
| 3 Material and Plating/材料和电镀                   |            |
| 3.1 Inner Contact/内导体: Brass, Gold plated/黄铜镀金 |            |
| 3.2 Outer Contact/外导体: Brass, Gold plated/黄铜镀金 |            |
| 3.3 Insulators/绝缘体: PTFE/聚四氟乙烯                 |            |

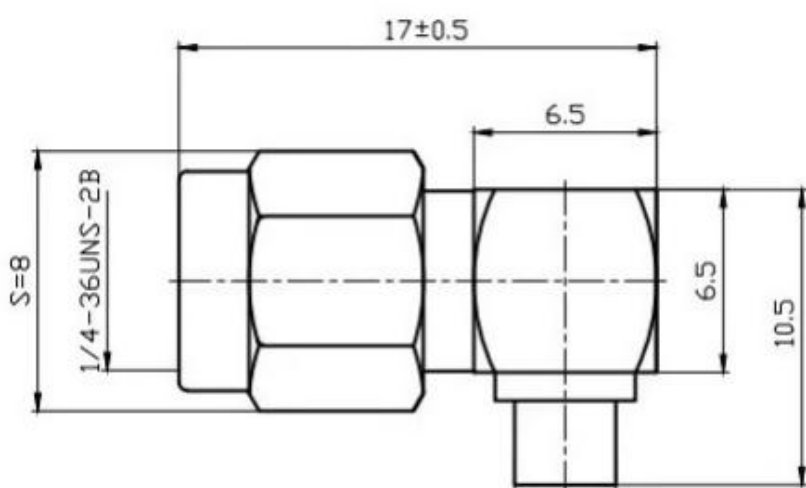
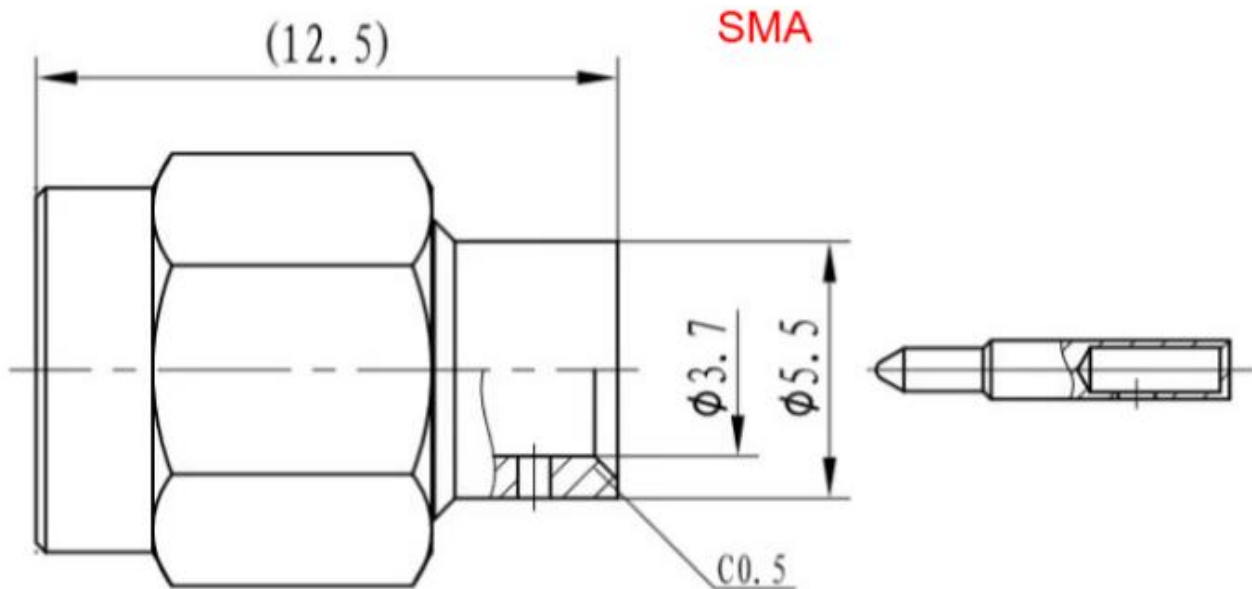
Suitable cables/适配电缆: RG316.RG174



推荐剥线尺寸  
Recommended stripping size

产品型号P/N: SMA-C-J-1.5





SMA-90度

