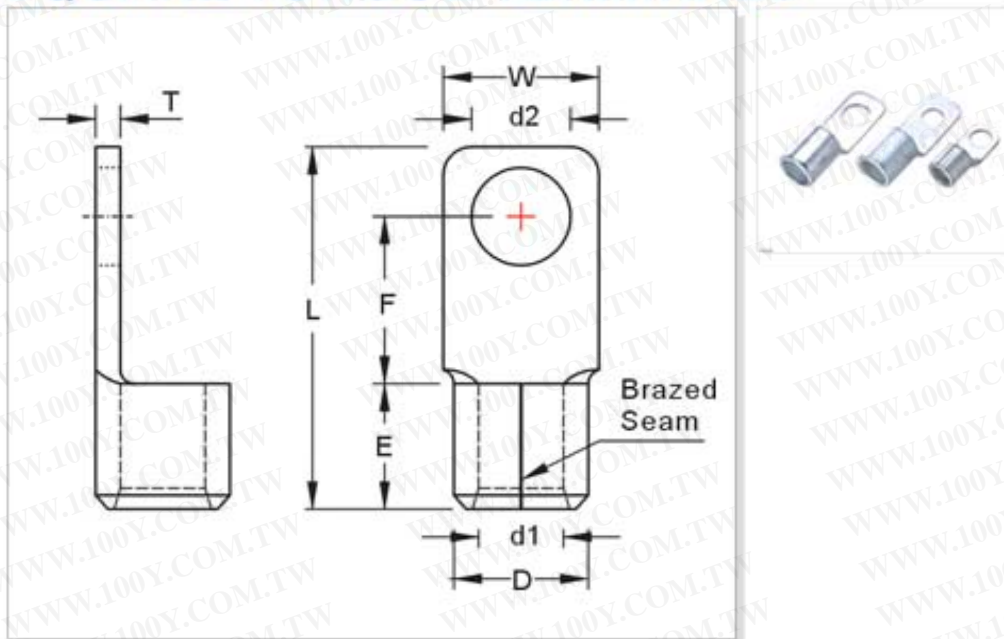


# 不絕緣焊接電鍍端子

勝特力材料 886-3-5753170  
 勝特力电子(上海) 86-21-34970699  
 勝特力电子(深圳) 86-755-83298787  
[Http://www.100y.com.tw](http://www.100y.com.tw)

## NON-INSULATED SQUARE TONGUE TERMINALS



### MAXIMUM ELECTRIC CURRENT:

A.W.G.	4	2	1/0	2/0	3/0	4/0	250	300	400	500	600
AMP.	125	170	230	265	310	360	405	445	545	620	690

### TERMINAL MATERIAL: COPPER

WIRE RANGE A.W.G. mm <sup>2</sup>	ITEM NO.	STUD SIZE		DIMENSION inch(mm)							Q'TY BOX
		d2	W	F	L	E	D	d1	T		
4 A.W.G. 22 mm <sup>2</sup>	<input type="checkbox"/> SQNBS22-5	#10	0.209 5.3	0.492 12.5	0.531 13.5	1.26 32	0.472 12	0.453 11.500	0.303 7.7	0.067 1.7	250
	<input type="checkbox"/> SQNBS22-6	1/4	0.252 6.4	0.492 12.5	0.531 13.5	1.26 32	0.472 12	0.453 11.500	0.303 7.7	0.067 1.7	250
	<input type="checkbox"/> SQNBS22-8	5/16	0.331 8.4	0.492 12.5	0.531 13.5	1.26 32	0.472 12	0.453 11.500	0.303 7.7	0.067 1.7	250
2 A.W.G. 38 mm <sup>2</sup>	<input type="checkbox"/> SQNBS38-5	#10	0.209 5.3	0.531 13.5	0.642 16.3	1.496 38	0.543 13.8	0.524 13.300	0.37 9.4	0.071 1.8	200
	<input type="checkbox"/> SQNBS38-6	1/4	0.252 6.4	0.531 13.5	0.642 16.3	1.496 38	0.543 13.8	0.524 13.300	0.37 9.4	0.071 1.8	200
	<input type="checkbox"/> SQNBS38-8 <b>NEW</b>	5/16	0.331 8.4	0.52 13.5	0.642 16.3	1.496 38	0.543 13.8	0.524 13.300	0.366 9.4	0.071 1.8	200
1/0 A.W.G. 60 mm <sup>2</sup>	<input type="checkbox"/> SQNBS60-6	1/4	0.252 6.4	0.63 16	0.787 20	1.929 49	0.728 18.5	0.610 15.500	0.433 11	0.079 2	100
	<input type="checkbox"/> SQNBS60-8	5/16	0.331 8.4	0.63 16	0.787 20	1.929 49	0.728 18.5	0.610 15.500	0.433 11	0.079 2	100
	<input type="checkbox"/> SQNBS60-10	3/8	0.413 10.5	0.63 16	0.787 20	1.929 49	0.728 18.5	0.610 15.500	0.433 11	0.079 2	100
3/0 A.W.G. 80 mm <sup>2</sup>	<input type="checkbox"/> SQNBS80-8	5/16	0.331 8.4	0.858 21.8	0.787 20	1.929 49	0.748 19	0.768 19.500	0.571 14.5	0.091 2.3	50
	<input type="checkbox"/> SQNBS80-10	3/8	0.413 10.5	0.858 21.8	0.787 20	1.929 49	0.748 19	0.768 19.500	0.571 14.5	0.091 2.3	50
	<input type="checkbox"/> SQNBS80-12	1/2	0.512 13	0.858 21.8	0.787 20	1.929 49	0.748 19	0.768 19.500	0.571 14.5	0.091 2.3	50
4/0 A.W.G. 100 mm <sup>2</sup>	<input type="checkbox"/> SQNBS100-8	5/16	0.331 8.4	0.858 21.8	0.827 21	2.087 53	0.787 20	0.878 22.300	0.646 16.4	0.106 2.7	50
	<input type="checkbox"/> SQNBS100-10	3/8	0.413 10.5	0.858 21.8	0.827 21	2.087 53	0.787 20	0.878 22.300	0.646 16.4	0.106 2.7	50
	<input type="checkbox"/> SQNBS100-12	1/2	0.512 13	0.858 21.8	0.827 21	2.087 53	0.787 20	0.878 22.300	0.646 16.4	0.106 2.7	50
250/300 MCM 150 mm <sup>2</sup>	<input type="checkbox"/> SQNBS125-8 <b>NEW</b>	5/16	0.331 8.4	0.858 21.8	0.787 20	2.126 54	0.866 22	0.902 22.900	0.689 17.5	0.106 2.7	25
	<input type="checkbox"/> SQNBS125-10 <b>NEW</b>	3/8	0.413 10.5	0.858 21.8	0.787 20	2.126 54	0.866 22	0.902 22.900	0.689 17.5	0.106 2.7	25
	<input type="checkbox"/> SQNBS125-12 <b>NEW</b>	1/2	0.512 13	0.858 21.8	0.787 20	2.126 54	0.866 22	0.902 22.900	0.689 17.5	0.106 2.7	25
150 mm <sup>2</sup>	<input type="checkbox"/> SQNBS150-8	5/16	0.331 8.4	0.866 22	0.878 22.3	2.402 61	1.043 26.5	1.043 26.500	0.768 19.5	0.126 3.2	25
	<input type="checkbox"/> SQNBS150-10	3/8	0.413 10.5	0.866 22	0.878 22.3	2.402 61	1.043 26.5	1.043 26.500	0.768 19.5	0.126 3.2	25
	<input type="checkbox"/> SQNBS150-12	1/2	0.512 13	0.866 22	0.878 22.3	2.402 61	1.043 26.5	1.043 26.500	0.768 19.5	0.126 3.2	25

300/350 MCM	<input type="checkbox"/> SQNBS180-10	3/8	0.413 10.5	1.181 30	0.878 22.3	2.667 68	1.122 28.5	1.126 28.600	0.811 20.6	0.138 3.5	10
180 mm <sup>2</sup>	<input type="checkbox"/> SQNBS180-12	1/2	0.512 13	1.181 30	0.878 22.3	2.667 68	1.122 28.5	1.126 28.600	0.811 20.6	0.138 3.5	10
400/500 MCM	<input type="checkbox"/> SQNBS200-10	3/8	0.413 10.5	1.417 36	0.878 22.3	2.854 72.5	1.22 31	1.287 32.700	0.945 24	0.157 4	10
200 mm <sup>2</sup>	<input type="checkbox"/> SQNBS200-12	1/2	0.512 13	1.417 36	0.878 22.3	2.854 72.5	1.22 31	1.287 32.700	0.945 24	0.157 4	10
	<input type="checkbox"/> SQNBS200-16 <b>NEW</b>	5/16	0.512 13	1.417 36	0.878 22.3	2.854 72.5	1.22 31	1.287 32.700	0.945 24	0.157 4	10
400/500 MCM	<input type="checkbox"/> SQNBS250-10 <b>NEW</b>	3/8	0.413 10.5	1.417 36	0.878 22.3	2.854 72.5	1.22 31	1.287 32.700	0.945 24	0.157 4	10
250 mm <sup>2</sup>	<input type="checkbox"/> SQNBS250-12 <b>NEW</b>	1/2	0.512 13	1.417 36	0.878 22.3	2.854 72.5	1.22 31	1.287 32.700	0.945 24	0.157 4	10
500/600 MCM	<input type="checkbox"/> SQNBS325-12 <b>NEW</b>	1/2	0.512 13	1.465 37.2	1.26 32	3.453 87.7	1.398 35.5	1.480 37.6	1.102 28	0.169 4.3	5
325 mm <sup>2</sup>	<input type="checkbox"/> SQNBS325-16 <b>NEW</b>	5/8	0.669 17	1.465 37.2	1.26 32	3.453 87.7	1.398 35.5	1.480 37.6	1.102 28	0.169 4.3	5
	<input type="checkbox"/> SQNBS325-18 <b>NEW</b>	11/16	0.748 19	1.465 37.2	1.26 32	3.453 87.7	1.398 35.5	1.480 37.6	1.102 28	0.169 4.3	5

**勝特力材料 886-3-5753170**  
**勝特力电子(上海) 86-21-34970699**  
**勝特力电子(深圳) 86-755-83298787**  
[Http://www.100y.com.tw](http://www.100y.com.tw)