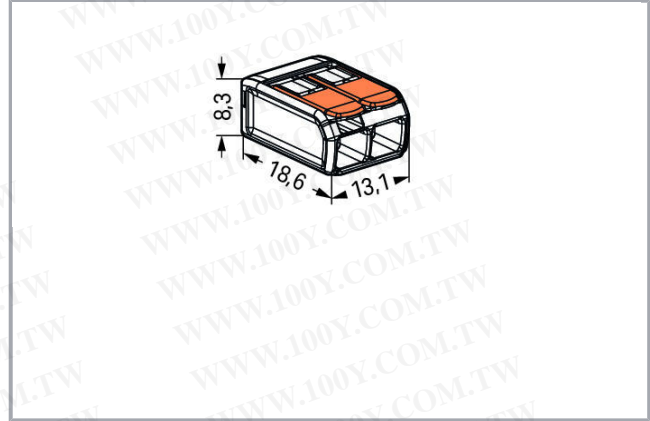


规格书 | 型号: 221-412

紧凑型导线连接器; 适于多种导线类型; max. 4 mm<sup>2</sup>; 2线; 带有操作手柄; 透明外壳; 工作环境温度: 最大85 °C ( T85 ); 4,00 mm<sup>2</sup>; 透明

[www.wago.com/221-412](http://www.wago.com/221-412)



勝特力材料 886-3-5753170  
勝特力电子(上海) 86-21-34970699  
勝特力电子(深圳) 86-755-83298787  
[Http://www.100y.com.tw](http://www.100y.com.tw)



产品描述

Your Benefits:



- Easy to use: Pull the lever up, insert a conductor and push the lever back down
- Available as 2-, 3- and 5-wire connectors
- Easily terminate conductors from 0.14 to 4 mm<sup>2</sup>, as well as solid and stranded conductors from 0.2 to 4 mm<sup>2</sup> (24 ... 12 AWG).
- Time savings for installers and device manufacturers.
- Quickly install devices with higher levels of power consumption.
- Safely install long cable runs with larger conductor cross sections.
- Mounting carrier for installation conforming to standards
- Custom carriers are possible

#### 安全信息 1:

#### 数据

##### 电气参数

#### Ratings per IEC/EN 60664-1

额定电压 (II / 2)	450 V
额定脉冲电压 (II / 2)	4 kV
额定电流	32 A
图例 (额定电气参数)	(II / 2) $\triangle$ Overvoltage category II / Pollution degree 2

#### Approvals per UL 1059

额定电压 UL (Use Group C)	600 V
额定电流 UL (Use Group C)	20 A
认证	UL 486C

#### 接线参数

连接技术	CAGE CLAMP®
执行类型	操作元件
可连接导线材料	铜
额定导线截面积	4 mm <sup>2</sup>
单股导线	0.2 ... 4 mm <sup>2</sup> / 24 ... 12 AWG
多股绞合导线	0.2 ... 4 mm <sup>2</sup> / 24 ... 12 AWG
细多股导线	0.14 ... 4 mm <sup>2</sup> / 24 ... 12 AWG
剥线长度	11 mm / 0.43 英寸
连接点总数量	2

电位总数量	1
接线种类	侧面接线

### Geometrical Data

宽度	13.1 mm / 0.516 inch
高度	8.3 mm / 0.327 inch
高度	18.6 mm / 0.732 inch

### 材料参数

颜色	透明
UL94阻燃等级	V2
燃烧负荷	0.034 MJ
重量	1.6 g

### Environmental Requirements

工作环境温度(运行时)	85 °C
Continuous operating temperature	105 °C
T-Marking per EN 60998	T85

### 商业数据

Product Group	7 (Push Wire Conn.)
包装类型	BOX
Country of origin	DE
GTIN	4050821808435
Customs Tariff No.	85369010000

### 认证 / 证书

#### 其他认证

标识	认证	其他认证信息	认证名称
	CCA DEKRA Certification B.V.	EN 60998	NTR NL- 7642
	CCA DEKRA Certification B.V.	EN 60998	71- 101731

## 船级社认证

标识	认证	其他认证信息	认证名称
	<b>ABS</b> American Bureau of Shipping	-	18- HG1755093- PDA
	<b>DNV GL</b> Det Norske Veritas, Germanischer Lloyd	EN 60998	TAE000015T
	<b>LR</b> Lloyds Register	EN 60998	04/20013 (E8)

## UL认证

标识	认证	其他认证信息	认证名称
	<b>UL</b> Underwriters Laboratories Inc.	UL 467	E201573
	<b>UL</b> Underwriters Laboratories Inc.	UL 486C	E69654

## 适用产品

## Mounting adapter

<b>型号: 221-500</b> 轨装支架; 221系列 - 4 mm <sup>2</sup> ; 适于DIN-35导轨安装/螺钉安装; 橙色	<a href="http://www.wago.com/221-500">www.wago.com/221-500</a>
<b>型号: 221-500/000-006</b> 轨装支架; 221系列 - 4 mm <sup>2</sup> ; 适于DIN-35导轨安装/螺钉安装; 蓝色	<a href="http://www.wago.com/221-500/000-006">www.wago.com/221-500/000-006</a>
<b>型号: 221-500/000-053</b> 轨装支架; 221系列 - 4 mm <sup>2</sup> ; 适于DIN-35导轨安装/螺钉安装; 深灰色-黄色	<a href="http://www.wago.com/221-500/000-053">www.wago.com/221-500/000-053</a>

**型号: 221-502**

轨装支架; 适于2线接线端子; 221系列 - 4 mm<sup>2</sup>; 适于螺钉安装; 白色

[www.wago.com/221-502](http://www.wago.com/221-502)

**型号: 221-502/000-004**

轨装支架; 适于2线接线端子; 221系列 - 4 mm<sup>2</sup>; 适于螺钉安装; 黑色

[www.wago.com/221-502/000-004](http://www.wago.com/221-502/000-004)

**型号: 221-512**

轨装支架; 适于2线接线端子; 221系列 - 4 mm<sup>2</sup>; 带有固定销钉, 适于水平安装; 白色

[www.wago.com/221-512](http://www.wago.com/221-512)



**型号: 221-512/000-004**

轨装支架; 适于2线接线端子; 221系列 - 4 mm<sup>2</sup>; 带有固定销钉, 适于水平安装; 黑色

[www.wago.com/221-512/000-004](http://www.wago.com/221-512/000-004)



**型号: 221-522**

轨装支架; 适于2线接线端子; 221系列 - 4 mm<sup>2</sup>; 带有固定销钉, 适于垂直安装; 白色

[www.wago.com/221-522](http://www.wago.com/221-522)



**型号: 221-522/000-004**

轨装支架; 适于2线接线端子; 221系列 - 4 mm<sup>2</sup>; 带有固定销钉, 适于垂直安装; 黑色

[www.wago.com/221-522/000-004](http://www.wago.com/221-522/000-004)

**下载**

**Documentation**

**Additional Information**

Technical explanations

2019-4-3

pdf  
2.1 MB

下载

**CAD/CAE-Data**

**CAD data**

2D/3D Models 221-412

URL

下载

**CAE data**

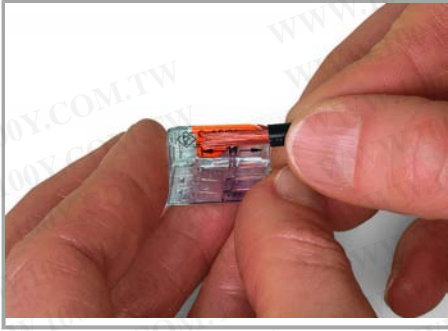
EPLAN Data Portal 221-412

下载

**Installation Notes**

Inserting a conductor

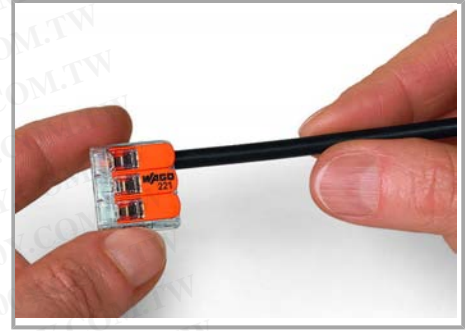




Strip conductor to 11 mm (0.43 inch).

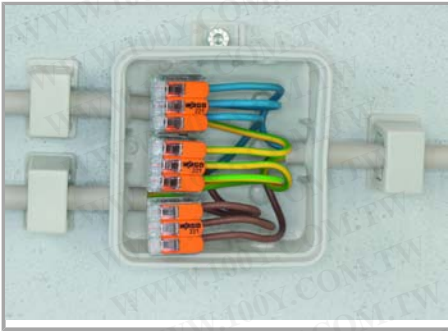


Termination: Lift the lever to open the clamping unit and insert a stripped conductor.



Then, lower the lever to close the clamp.

### Application



Wiring fine-stranded conductors in a junction box.



Custom low-voltage lighting system



Lighting distribution in ceiling canopy



Pendant light connection in suspended ceilings



COMPACT Splicing Connectors for All  
Conductor Types, 4 mm<sup>2</sup> (12 AWG), 221  
Series



**Compact, lever-operated splicing connectors:**

Tool-free connection of up to five stripped, fine-stranded conductors from 0.14 ... 4 mm<sup>2</sup>, as well as solid or stranded conductors from 0.2 ... 4 mm<sup>2</sup> (24 ... 12 AWG).

**How these work:**

Pull up one of the orange operating levers to open the clamping unit. Then insert the conductor and push the lever back down, flush with the connector housing.

**Safety:**

The specially designed rest position of the lever reliably prevents accidental unclamping of a connected conductor.

Application safety, for any type of conductor (solid, stranded, fine-stranded), is confirmed by approvals like ENEC or UL.

勝特力材料 886-3-5753170  
勝特力电子(上海) 86-21-34970699  
勝特力电子(深圳) 86-755-83298787  
[Http://www.100y.com.tw](http://www.100y.com.tw)