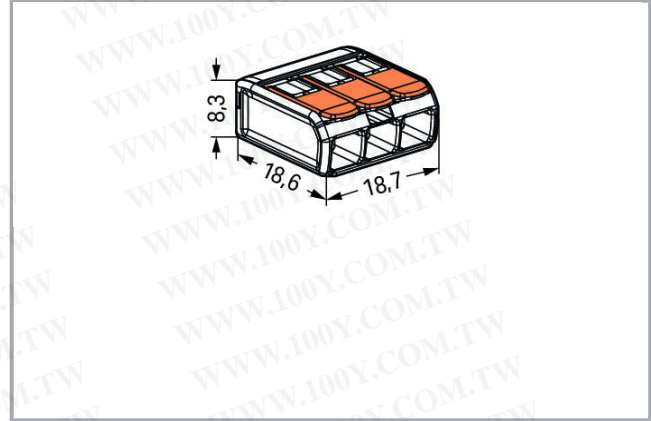


規格書 | 產品型號: 221-413

COMPACT Splicing Connector; for all conductor types; max. 4 mm²; 3-conductor; with levers; transparent housing; Surrounding air temperature: max 85°C (T85); 4,00 mm²; transparent

www.wago.com/221-413



RoHS Compliant

BOMcheck.net



勝特力材料 886-3-5753170
勝特力电子(上海) 86-21-34970699
勝特力电子(深圳) 86-755-83298787
[Http://www.100y.com.tw](http://www.100y.com.tw)

產品描述

Your Benefits:

- Easy to use: Pull the lever up, insert a conductor and push the lever back down



- Available as 2-, 3- and 5-wire connectors
- Easily terminate conductors from 0.14 to 4 mm², as well as solid and stranded conductors from 0.2 to 4 mm² (24 ... 12 AWG).
- Time savings for installers and device manufacturers.
- Quickly install devices with higher levels of power consumption.
- Safely install long cable runs with larger conductor cross sections.
- Mounting carrier for installation conforming to standards
- Custom carriers are possible

安全資訊 1:

資料

電氣資料

Ratings per IEC/EN 60664-1

額定電壓 (II / 2)	450 V
額定脈衝電壓 (II / 2)	4 kV
額定電流	32 A
圖例 (額定值)	(II / 2) ≙ Overvoltage category II / Pollution degree 2

Approvals per UL 1059

額定電壓 UL (使用組 C)	600 V
額定電流 UL (用途組 C)	20 A
認證	UL 486C

連接資料

連接技術	CAGE CLAMP®
操作類型	操作桿
可連接導線材料	銅
額定截面積	4 mm ²
單芯導線	0.2 ... 4 mm ² / 24 ... 12 AWG
多芯導線	0.2 ... 4 mm ² / 24 ... 12 AWG
細多芯導線	0.14 ... 4 mm ² / 24 ... 12 AWG
剝線長度	11 mm / 0.43 英寸
總連接點數	3
總電位數	1

接線類型

側面接線

幾何數據

寬度	18.7 mm / 0.736 inch
高度	8.3 mm / 0.327 inch
深度	18.6 mm / 0.732 inch

材料資料

顏色	透明
可燃性等級依照 UL 94	V2
重量	2.5 g

環境條件

(工作) 環境溫度	85 °C
Continuous operating temperature	105 °C
T-Marking per EN 60998	T85

商業資料

Product Group	7 (Push Wire Conn.)
包裝類型	BOX
Country of origin	DE
GTIN	4050821808442
Customs Tariff No.	85369010000

認證 / 證書

Country specific Approvals

標誌	認證	其他認證資訊	認證名稱
	CCA DEKRA Certification B.V.	EN 60998	NTR NL- 7642
	CCA DEKRA Certification B.V.	EN 60998	71- 101731

Ship Approvals

標誌	認證	其他認證資訊	認證名稱
	ABS American Bureau of Shipping	-	18- HG1755093- PDA
	DNV GL Det Norske Veritas, Germanischer Lloyd	EN 60998	TAE000015T
	LR Lloyds Register	EN 60998	04/20013 (E8)

UL-Approvals

標誌	認證	其他認證資訊	認證名稱
	UL Underwriters Laboratories Inc.	UL 467	E201573
	UL Underwriters Laboratories Inc.	UL 486C	E69654

相容產品

Mounting adapter

產品編號: 221-500 Mounting carrier; 221 Series - 4 mm ² ; for DIN-35 rail mounting/screw mounting; orange	www.wago.com/221-500
產品編號: 221-500/000-006 Mounting carrier; 221 Series - 4 mm ² ; for DIN-35 rail mounting/screw mounting; blue	www.wago.com/221-500/000-006
產品編號: 221-500/000-053 Mounting carrier; 221 Series - 4 mm ² ; for DIN-35 rail mounting/screw mounting; dark gray-yellow	www.wago.com/221-500/000-053
產品編號: 221-503 安裝支架; 適用於 3 線接線端子台; 221 系列 - 4 mm ² ; 用於螺絲安裝; 白色	www.wago.com/221-503

產品編號: 221-503/000-004

安裝支架; 適用於 3 線接線端子台; 221 系列 - 4 mm²; 用於螺絲安裝; 黑色

www.wago.com/221-503/000-004

產品編號: 221-513

安裝支架; 適用於 3 線接線端子台; 221 系列 - 4 mm²; 帶有用於水平安裝的固定銷釘; 白色

www.wago.com/221-513



產品編號: 221-513/000-004

安裝支架; 適用於 3 線接線端子台; 221 系列 - 4 mm²; 帶有用於水平安裝的固定銷釘; 黑色

www.wago.com/221-513/000-004



產品編號: 221-523

安裝支架; 適用於 3 線接線端子台; 221 系列 - 4 mm²; 帶有用於水平安裝的固定銷釘; 白色

www.wago.com/221-523



產品編號: 221-523/000-004

安裝支架; 適用於 3 線接線端子台; 221 系列 - 4 mm²; 帶有用於水平安裝的固定銷釘; 黑色

www.wago.com/221-523/000-004

下載

Documentation

Additional Information

Technical explanations

2019/4/3

pdf
2.1 MB

下載

CAD/CAE-Data

CAD data

2D/3D Models 221-413

URL

下載

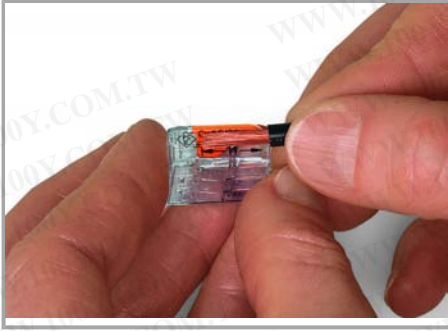
CAE data

EPLAN Data Portal 221-413

下載

Installation Notes

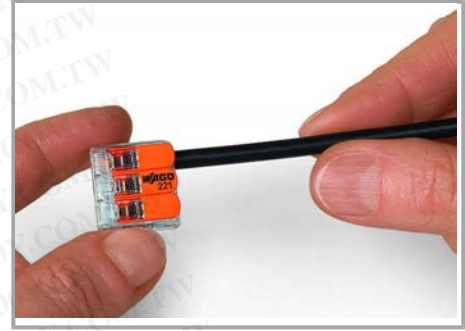
Inserting a conductor



Strip conductor to 11 mm (0.43 inch).

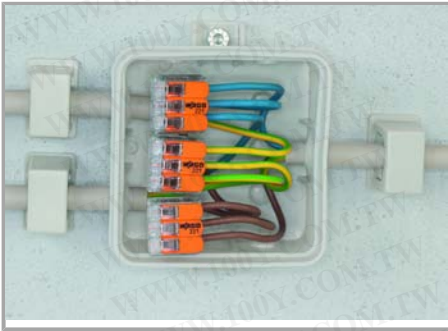


Termination: Lift the lever to open the clamping unit and insert a stripped conductor.



Then, lower the lever to close the clamp.

Application



Wiring fine-stranded conductors in a junction box.



Custom low-voltage lighting system



Lighting distribution in ceiling canopy



Pendant light connection in suspended ceilings



COMPACT Splicing Connectors for All
Conductor Types, 4 mm² (12 AWG), 221
Series



Compact, lever-operated splicing connectors:

Tool-free connection of up to five stripped, fine-stranded conductors from 0.14 ... 4 mm², as well as solid or stranded conductors from 0.2 ... 4 mm² (24 ... 12 AWG).

How these work:

Pull up one of the orange operating levers to open the clamping unit. Then insert the conductor and push the lever back down, flush with the connector housing.

Safety:

The specially designed rest position of the lever reliably prevents accidental unclamping of a connected conductor.

Application safety, for any type of conductor (solid, stranded, fine-stranded), is confirmed by approvals like ENEC or UL.

勝特力材料 886-3-5753170
勝特力电子(上海) 86-21-34970699
勝特力电子(深圳) 86-755-83298787
[Http://www.100y.com.tw](http://www.100y.com.tw)