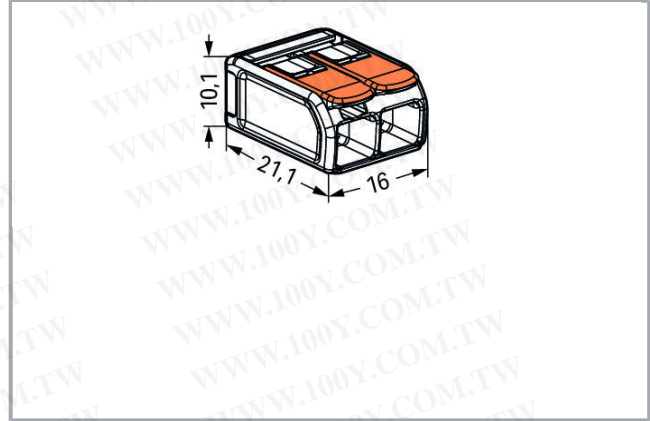


規格書 | 產品型號: 221-612

COMPACT Splicing Connector; for all conductor types; max. 6 mm²; 2-conductor; with levers; transparent housing; Surrounding air temperature: max 85°C (T85); 6,00 mm²; transparent

www.wago.com/221-612



RoHS
Compliant

BOMcheck.net

勝特力材料 886-3-5753170
勝特力电子(上海) 86-21-34970699
勝特力电子(深圳) 86-755-83298787
[Http://www.100y.com.tw](http://www.100y.com.tw)



產品描述

Your Benefits:

- Easy to use: Pull the lever up, insert a conductor and push the lever back down
- Available as 2-, 3- and 5-wire connectors
- Easily terminate conductors for all conductors from 0.5 to 6 mm² (20 ... 10 AWG).
- Time savings for installers and device manufacturers.
- Quickly install devices with higher levels of power consumption.
- Safely install long cable runs with larger conductor cross sections.
- Mounting carrier for installation conforming to standards
- Custom carriers are possible

安全資訊 1:

資料

電氣資料



Ratings per IEC/EN 60664-1

額定電壓 (II / 2)	450 V
額定脈衝電壓 (II / 2)	4 kV
額定電流	41 A
圖例 (額定值)	(II / 2) \triangle Overvoltage category II / Pollution degree 2

Approvals per UL 1059

額定電壓 UL (使用組 C)	600 V
額定電流 UL (用途組 C)	30 A
認證	UL 486C

連接資料

連接技術	CAGE CLAMP®
操作類型	操作桿
可連接導線材料	銅
額定截面積	6 mm ²
單芯導線	0.5 ... 6 mm ² / 20 ... 10 AWG
多芯導線	0.5 ... 6 mm ² / 20 ... 10 AWG
細多芯導線	0.5 ... 6 mm ² / 20 ... 10 AWG
剝線長度	12 ... 14 mm / 0.47 ... 0.55 英寸
總連接點數	2
總電位數	1
接線類型	側面接線

幾何數據

寬度	16 mm / 0.63 inch
高度	10.1 mm / 0.398 inch
深度	21.1 mm / 0.831 inch

材料資料

顏色	透明
可燃性等級依照 UL 94	V2
重量	3 g

環境條件

(工作) 環境溫度	85 °C
Continuous operating temperature	105 °C
T-Marking per EN 60998	T85

商業資料

包裝類型	BOX
Country of origin	CH
GTIN	4055143704168
Customs Tariff No.	85369010000

認證 / 證書

Country specific Approvals

標誌	認證	其他認證資訊	認證名稱
	KEMA/KEUR DEKRA Certification B.V.	EN 60998	71-105677

Ship Approvals

標誌	認證	其他認證資訊	認證名稱
	ABS American Bureau of Shipping	EN 60998	18-HG1755093-PDA
	DNV GL Det Norske Veritas, Germanischer Lloyd	EN 60998	TAE000015T
	LR Lloyds Register	EN 60998	04/20013 (E8)

UL-Approvals

標誌	認證	其他認證資訊	認證名稱
	UL	UL 486C	E69654



Underwriters Laboratories Inc.



UL
Underwriters Laboratories Inc.

UL 467

E201573

相容產品

Mounting adapter

產品編號: 221-510

Mounting carrier; 221 Series - 6 mm²; for DIN-35 rail mounting/screw mounting; orange

www.wago.com/221-510

產品編號: 221-510/000-006

安裝支架; 221 系列 - 6 mm²; 適用於TS35導軌安裝 / 螺絲安裝; 藍色

www.wago.com/221-510/000-006

產品編號: 221-510/000-053

Mounting carrier; 221 Series - 6 mm²; for DIN-35 rail mounting/screw mounting; dark gray-yellow

www.wago.com/221-510/000-053

下載

Documentation

Additional Information

Technical explanations

2019/4/3

pdf 下載
2.1 MB

CAD/CAE-Data

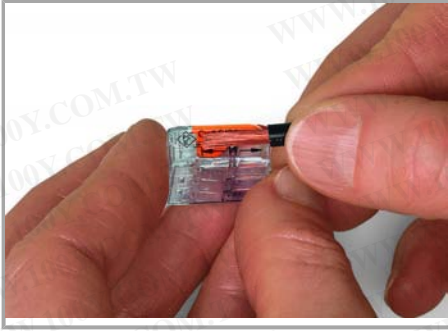
CAD data

2D/3D Models 221-612

URL 下載

Installation Notes

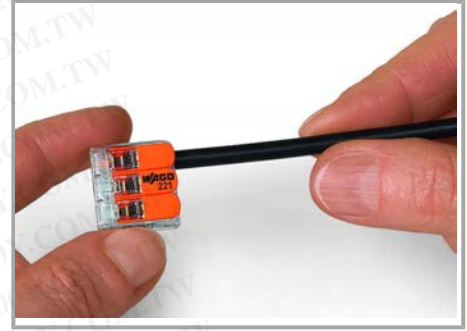
Inserting a conductor



Strip conductor to 11 mm (0.43 inch).

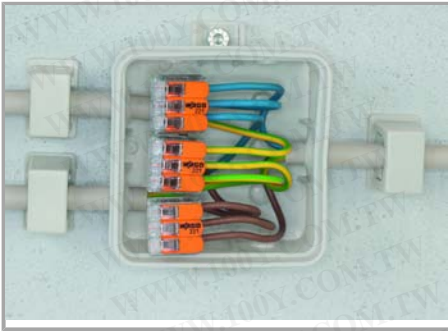


Termination: Lift the lever to open the clamping unit and insert a stripped conductor.



Then, lower the lever to close the clamp.

Application



Wiring fine-stranded conductors in a junction box.



Custom low-voltage lighting system



Lighting distribution in ceiling canopy



Pendant light connection in suspended ceilings



勝特力材料 886-3-5753170
勝特力电子(上海) 86-21-34970699
勝特力电子(深圳) 86-755-83298787
[Http://www.100y.com.tw](http://www.100y.com.tw)

COMPACT Splicing Connectors for All
Conductor Types, 4 mm² (12 AWG), 221
Series