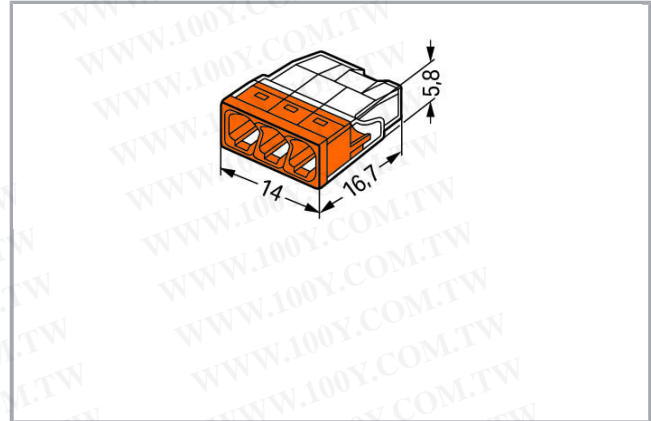


规格书 | 型号: 2273-203

紧凑型导线连接器; 适用于单股导线; max. 2.5 mm²; 3线; 透明外壳; 橙色罩盖;
工作环境温度: 最大60 °C (T60); 2,50 mm²; 透明

www.wago.com/2273-203



RoHS Compliant

BOMcheck.net

勝特力材料 886-3-5753170
勝特力电子(上海) 86-21-34970699
勝特力电子(深圳) 86-755-83298787
[Http://www.100y.com.tw](http://www.100y.com.tw)

产品描述

Advantages:

- Convenient wiring via an extremely compact design
- Push-in termination of up to eight solid conductors
- Cross-section range: 0.5 ... 2.5 mm²
- Any combination of conductor sizes is possible
- PUSH WIRE® connection terminates solid ("s") copper conductors

说明:

Terminating Aluminum Conductors

WAGO spring clamp terminal blocks are suitable for solid aluminum conductors up to 4 mm²/12 AWG if WAGO "Alu-Plus" Contact Paste is used for termination.

"Alu-Plus" Contact Paste Advantages:

- Automatically destroys the oxide film during clamping.



- Prevents fresh oxidation at the clamping point.
- Prevents electrolytic corrosion between aluminum and copper conductors (in the same terminal block).
- Provides long-term protection against corrosion.

For spring clamp connections with PUSH WIRE® connection technology, **WAGO recommends that the aluminum conductor first be cleaned** and then immediately inserted into the clamping unit filled with "Alu-Plus" contact paste.

It is also possible to apply WAGO "Alu-Plus" **additionally** on the whole surface of the aluminum conductor before termination.

Please note that the nominal currents must be adapted to the reduced conductivity of the aluminum conductors::

2.5 mm² = 16 A

4 mm² = 22 A

安全信息 1:

数据

电气参数

Ratings per IEC/EN 60664-1

额定电气参数	IEC/EN 60664-1
额定电压 (II / 2)	450 V
额定脉冲电压 (II / 2)	4 kV
额定电流	24 A
图例 (额定电气参数)	(II / 2) \triangle Overvoltage category II / Pollution degree 2

接线参数

连接技术	PUSH WIRE®
执行类型	推入
可连接导线材料	铜 铝
单股导线	0,5 ... 2,5 mm ² / 20 ... 16 AWG
剥线长度	11 mm / 0.43 英寸
连接点总数量	3
电位总数量	1
接线种类	侧面接线

Geometrical Data

宽度	14 mm / 0.551 inch
高度	5,8 mm / 0.228 inch
高度	16,7 mm / 0.657 inch

材料参数

颜色	透明
Cover color	orange
UL94阻燃等级	V2
燃烧负荷	0.019 MJ
重量	1 g

Environmental Requirements

工作环境温度(运行时)	60 °C
Continuous operating temperature	105 °C
T-Marking per EN 60998	T60

商业数据

Product Group	7 (Push Wire Conn.)
包装类型	BOX
Country of origin	DE
GTIN	4050821027850
Customs Tariff No.	85369010000

认证 / 证书

其他认证

标识	认证	其他认证信息	认证名称
	VDE VDE Prüf- und Zertifizierungsinstitut	EN 60998	40029794

船级社认证

标识	认证	其他认证信息	认证名称
	ABS American Bureau of Shipping	-	15- HG1419918-



DNV GL

Det Norske Veritas, Germanischer Lloyd

EN 60998

TAE000015T

LR

Lloyds Register

EN 60998

04/20013
(E8)

Counterpart

适用产品

General accessories

型号: 2273-500

轨装支架; 适于安装单排和双排连接器; 2273系列; 适于DIN-35导轨安装/螺钉安装; 橙色

www.wago.com/2273-500

型号: 249-130

注射器; 容量: 20ml "Alu-Plus"端子封胶

www.wago.com/249-130

下载

Documentation

Additional Information

Technical explanations

2019/4/3

pdf 下载
2.1 MB

CAD/CAE-Data

CAD data

2D/3D Models 2273-203

URL 下载

CAE data

EPLAN Data Portal 2273-203

下载

Installation Notes

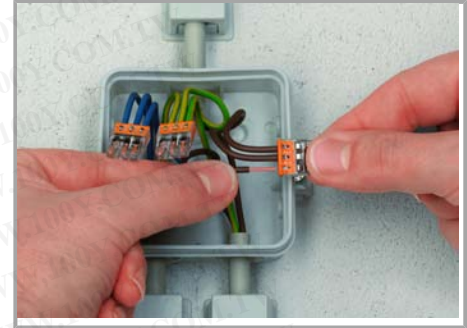
Conductor termination



Strip solid conductor to 11 mm / 0.43 inch (see marking).



The transparent housing shows if conductors are fully inserted; within the colored base, a clear port shows if the conductor's strip length is correct.



Termination: Insert stripped solid conductor until it hits backstop.

Conductors are correctly stripped if the clear port shows no bare conductor on the unprinted connector side. Picture shows center conductor with exceeded strip length.



Removal: Hold conductor to be removed and twist alternately left and right while pulling the connector.

Testing



勝特力材料 886-3-5753170
勝特力电子(上海) 86-21-34970699
勝特力电子(深圳) 86-755-83298787
[Http://www.100y.com.tw](http://www.100y.com.tw)

Testing via test port opposite to conductor entry.