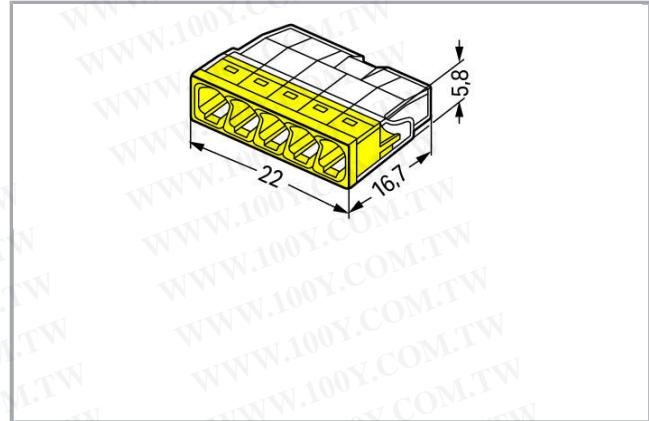


規格書 | 產品型號: 2273-205

COMPACT splicing connector; for solid conductors; max. 2.5 mm²; 5-conductor; transparent housing; yellow cover; Surrounding air temperature: max 60°C (T60); 2,50 mm²; transparent

www.wago.com/2273-205



RoHS Compliant

BOMcheck.net

顏色: ■

勝特力材料 886-3-5753170
勝特力电子(上海) 86-21-34970699
勝特力电子(深圳) 86-755-83298787
[Http://www.100y.com.tw](http://www.100y.com.tw)

產品描述

Advantages:

- Convenient wiring via an extremely compact design
- Push-in termination of up to eight solid conductors
- Cross-section range: 0.5 ... 2.5 mm²
- Any combination of conductor sizes is possible
- PUSH WIRE® connection terminates solid ("s") copper conductors

注意:

Terminating Aluminum Conductors

WAGO spring clamp terminal blocks are suitable for solid aluminum conductors up to 4 mm²/12 AWG if WAGO "Alu-Plus" Contact Paste is used for termination.

"Alu-Plus" Contact Paste Advantages:

- Automatically destroys the oxide film during clamping.
- Prevents fresh oxidation at the clamping point.
- Prevents electrolytic corrosion between aluminum and copper conductors (in the same terminal block).



- Provides long-term protection against corrosion.

For spring clamp connections with PUSH WIRE® connection technology, **WAGO recommends that the aluminum conductor first be cleaned** and then immediately inserted into the clamping unit filled with "Alu-Plus" contact paste.

It is also possible to apply WAGO "Alu-Plus" **additionally** on the whole surface of the aluminum conductor before termination.

Please note that the nominal currents must be adapted to the reduced conductivity of the aluminum conductors::

2.5 mm² = 16 A

4 mm² = 22 A

安全資訊 1:

資料

電氣資料

Ratings per IEC/EN 60664-1

額定值	IEC/EN 60664-1
額定電壓 (II / 2)	450 V
額定脈衝電壓 (II / 2)	4 kV
額定電流	24 A
圖例 (額定值)	(II / 2) ± Overvoltage category II / Pollution degree 2

連接資料

連接技術	PUSH WIRE®
操作類型	直接插入式
可連接導線材料	銅 鋁
單芯導線	0,5 ... 2,5 mm ² / 20 ... 16 AWG
剝線長度	11 mm / 0.43 英寸
總連接點數	5
總電位數	1
接線類型	側面接線

幾何數據

寬度	22 mm / 0.866 inch
高度	5,8 mm / 0.228 inch

深度	16,7 mm / 0.657 inch
----	----------------------

材料資料

顏色	yellow
Cover color	yellow
可燃性等級依照 UL 94	V2
火災負載	0.03 MJ
重量	1.6 g

環境條件

(工作) 環境溫度	60 °C
Continuous operating temperature	105 °C
T-Marking per EN 60998	T60

商業資料

Product Group	7 (Push Wire Conn.)
包裝類型	BOX
Country of origin	DE
GTIN	4050821027874
Customs Tariff No.	85369010000

認證 / 證書

Country specific Approvals

標誌	認證	其他認證資訊	認證名稱
	VDE VDE Prüf- und Zertifizierungsinstitut	EN 60998	40029794

Ship Approvals

標誌	認證	其他認證資訊	認證名稱
	ABS American Bureau of Shipping	-	15- HG1419918- PDA
	DNV GL Det Norske Veritas, Germanischer Lloyd	EN 60998	TAE000015T



LR
Lloyds Register

EN 60998

04/20013
(E8)

Counterpart

相容產品

General accessories

產品編號: 2273-500

安裝支架; 用於單排和雙排連接器; 2273系列; 適用於TS35導軌安裝 / 螺絲安裝; 橙色

www.wago.com/2273-500

產品編號: 249-130

Syringe; Contents: 20 ml Alu-Plus contact paste

www.wago.com/249-130

下載

Documentation

Additional Information

Technical explanations

2019/4/3

pdf
2.1 MB

下載

CAD/CAE-Data

CAD data

2D/3D Models 2273-205

URL

下載

CAE data

EPLAN Data Portal 2273-205

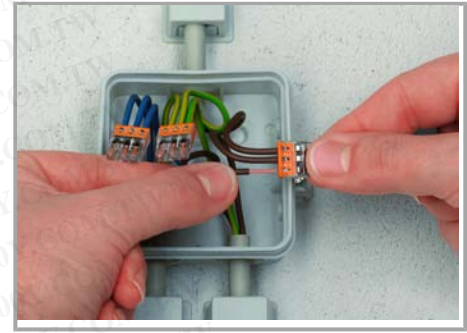
下載

WSCAD Universe 2273-205

下載

Installation Notes

Conductor termination

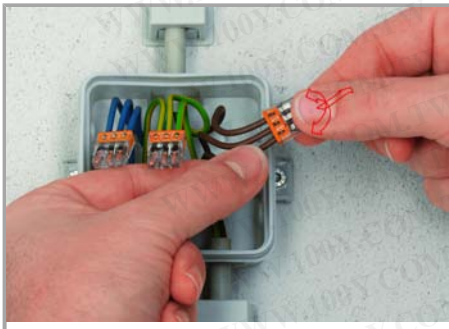


Strip solid conductor to 11 mm / 0.43 inch (see marking).

The transparent housing shows if conductors are fully inserted; within the colored base, a clear port shows if the conductor's strip length is correct.

Termination: Insert stripped solid conductor until it hits backstop.

Conductors are correctly stripped if the clear port shows no bare conductor on the unprinted connector side. Picture shows center conductor with exceeded strip length.



Removal: Hold conductor to be removed and twist alternately left and right while pulling the connector.

Testing



Testing via test port opposite to conductor entry.

勝特力材料 886-3-5753170
勝特力电子(上海) 86-21-34970699
勝特力电子(深圳) 86-755-83298787
[Http://www.100y.com.tw](http://www.100y.com.tw)