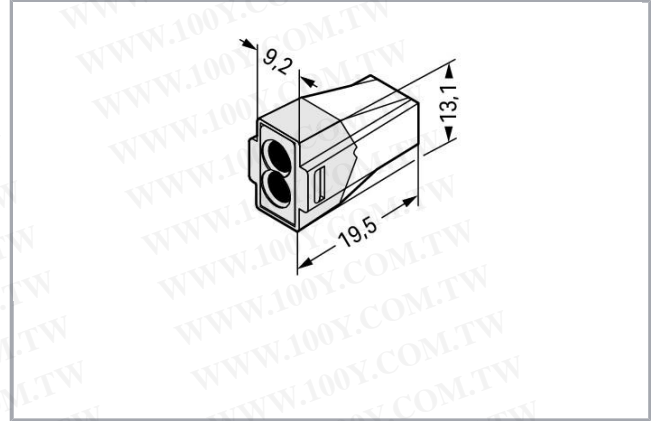


规格书 | 型号: 773-602

接线盒用导线连接器; 适用于单股导线; max. 4 mm²; 2线; 棕色透明外壳; 白色罩盖; 最大工作环境温度 60 °C; 2,50 mm²

www.wago.com/773-602



RoHS
Compliant ✓

BOMcheck.net

勝特力材料 886-3-5753170
勝特力电子(上海) 86-21-34970699
勝特力电子(深圳) 86-755-83298787
[Http://www.100y.com.tw](http://www.100y.com.tw)

产品描述

说明:

Terminating Aluminum Conductors

WAGO spring clamp terminal blocks are suitable for solid aluminum conductors up to 4 mm²/12 AWG if WAGO "Alu-Plus" Contact Paste is used for termination.

"Alu-Plus" Contact Paste Advantages:

- Automatically destroys the oxide film during clamping.
- Prevents fresh oxidation at the clamping point.
- Prevents electrolytic corrosion between aluminum and copper conductors (in the same terminal block).
- Provides long-term protection against corrosion.



Using terminal blocks with PUSH WIRE® Spring Pressure Connection Technology, **aluminum conductors must first be cleaned with a blade** and then immediately be inserted into the clamping units filled with "Alu-Plus" Contact Paste.

It is also possible to apply WAGO "Alu-Plus" **additionally** on the whole surface of the aluminum conductor before termination.

Please note that the nominal currents must be adapted to the reduced conductivity of the aluminum conductors:

2.5 mm² (14 AWG) = 16 A

4 mm² (12 AWG) = 22 A

数据

电气参数

Ratings per IEC/EN 60664-1

额定电压(II / 2)	400 V
额定脉冲电压(II / 2)	4 kV
额定电流	32 A
图例 (额定电气参数)	(II / 2) \triangle Overvoltage category II / Pollution degree 2

接线参数

连接技术	PUSH WIRE®
执行类型	推入
可连接导线材料	铜 铝
剥线长度	12 mm / 0.47 英寸
连接点总数量	2
电位总数量	1
接线种类	侧面接线

Geometrical Data

宽度	9.2 mm / 0.362 inch
高度	13.1 mm / 0.516 inch
高度	19.5 mm / 0.768 inch

材料参数

Cover color	white
-------------	-------

UL94阻燃等级	V2
重量	1.5 g

Environmental Requirements


工作环境温度(运行时)	60 °C
Continuous operating temperature	105 °C

商业数据

Product Group	7 (Push Wire Conn.)
包装类型	BOX
Country of origin	CN
GTIN	4055143249133
Customs Tariff No.	85369010000

认证 / 证书

船级社认证

标识	认证	其他认证信息	认证名称
	ABS American Bureau of Shipping	-	18- HG1755093- PDA

UL认证

标识	认证	其他认证信息	认证名称
	UL UL International Germany GmbH	EN 60998	D- 03479- A1

Counterpart

适用产品

Mounting adapter

型号: 773-332

www.wago.com/773-332



轨装支架; 773系列 - 2.5 mm² / 4 mm² / 6 mm²; 适于DIN-35导轨安装/螺钉安装; 橙色

General accessories

型号: 249-130

注射器; 容量 : 20ml "Alu-Plus"端子封胶

www.wago.com/249-130

下载

Documentation

Additional Information

Technical explanations

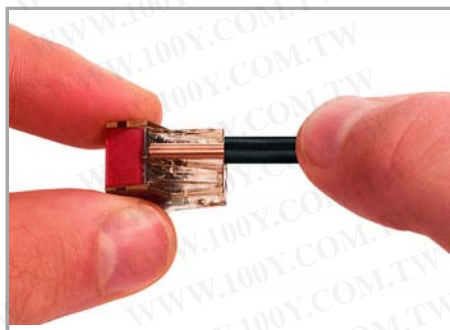
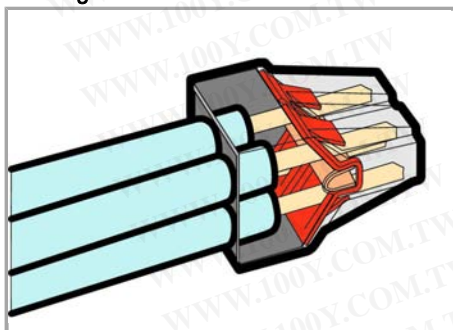
2019/4/3

pdf
2.1 MB

下载

Installation Notes

Inserting a conductor



PUSH WIRE® connector for junction boxes,
773 Series

Strip solid conductor to 12 mm (0.47 inch).

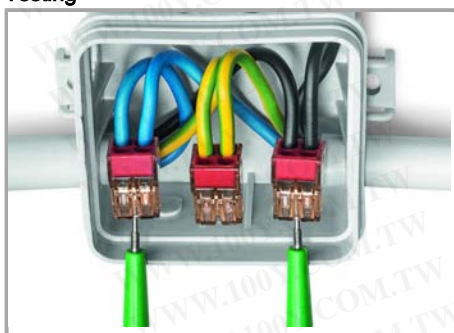
Termination: Insert stripped solid conductor
until it hits backstop.



勝特力材料 886-3-5753170
勝特力电子(上海) 86-21-34970699
勝特力电子(深圳) 86-755-83298787
[Http://www.100y.com.tw](http://www.100y.com.tw)

Removal: Hold conductor to be removed and twist alternately left and right while pulling the connector.

Testing



Testing via test ports opposite to conductor entry.