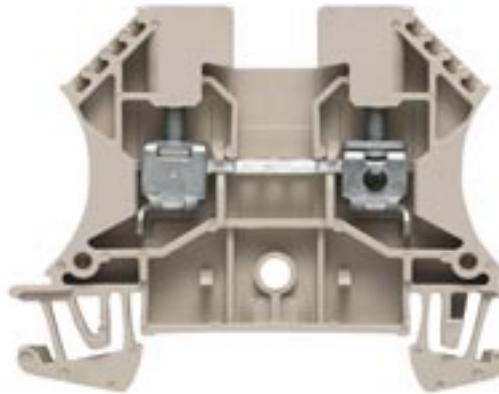
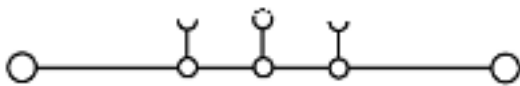


勝特力電材超市-龍山店 886-3-5773766
 勝特力電材超市-光復店 886-3-5729570
 勝特力電子(上海) 86-21-34970699
 勝特力電子(深圳) 86-755-83298787
<http://www.100y.com.tw>



General ordering data

| | |
|------------------|---|
| Order No. | 1020100000 |
| Part designation | WDU 4 |
| Version | Feed-through terminal, 4 mm ² , Screw connection, Wemid, dark beige, TS 35 |
| EAN | 4008190150617 |
| Qty. | 100 pc(s). |

Product notes

| | |
|----------------------|---|
| Note, ordering data | Rated voltage 400V when using cross-connection ZQVSee section "W-series accessories" for colours available. |
| Note, technical data | Note max. current of terminal (41 A) when using WQV! |
| Product description | Their small size compared to the respective rated cross-section makes the modular terminals with the compact design very popular. |
| Function | |
| Note, accessories | Socket and test plug, see section "W Series accessories". Shielding rail LS 2.8 1056400000. |

PT OKIECEEx/ATEX rating data

| | |
|--------------------------------------|--------------------------|
| EU-type examination certificate | KEMA98ATEX1683U |
| Download, German | KEMA98ATEX1683U_d.pdf |
| Download English | KEMA98ATEX1683U_e.pdf |
| IECEX Certificate of Conformity | IECEXULD05.0008U |
| Download | IECEXULD05.0008U_e.pdf |
| ATEX voltage | 690 V |
| ATEX current | 28 A |
| ATEX conductor cross-section | 4 mm ² |
| IECEX voltage | 690 V |
| IECEX current | 28 A |
| IECEX conductor cross-section | 4 mm ² |
| Voltage when using cross-connections | CrossConnectionGuide.pdf |

PT OKIECEx/ATEX rating data

| | |
|--------------------------------|---|
| Operating temperature range | For operating temperature range see EC Design Test Certificate / IEC Ex-Certificate of Conformity |
| Marking EN 60079-7 | Ex e II |
| Marking ATEX Directive 94/9/EC | Ex II 2 G D |

2 clampable conductors (H05V/H07V) with equal cross-section (rated connection)

| | |
|--|---------------------|
| Solid, min. | 0.5 mm ² |
| Solid, max. | 2.5 mm ² |
| Flexible, min. | 0.5 mm ² |
| Flexible, max. | 1.5 mm ² |
| Flexible with ferrule, min. (DIN 46228 pt 1) | 0.5 mm ² |
| Flexible with ferrule, max. (DIN 46228 pt 1) | 1.5 mm ² |

Additional technical data

| | |
|--|-----------------------|
| Colour of insulating material | dark beige |
| Connection direction | on side |
| End plate required | Yes |
| Explosion-tested version "Ex e" | Yes |
| Installation advice | TS 35 |
| Insulating material | Wemid |
| Levels cross-connected internally | No |
| No. of identical terminals | 1 |
| No. of levels | 1 |
| No. of terminal strips per level | 2 |
| Open sides | right |
| Operating temperature range | - 50 °C, + 120 °C |
| Product family | W-Series |
| Type of connection | Screwed |
| Type of mounting | Snap-on |
| UL 94 flammability rating of insulation material | V-0 |
| Version | Feed-through terminal |

CSA rating data

| | |
|--------------------------|--------|
| Voltage (CSA) | 600 V |
| CSA current | 35 A |
| Min. cross-section (CSA) | AWG 26 |
| Max. cross-section (CSA) | AWG 10 |

Conductors for clamping (rated connection)

| | |
|--|----------------------|
| Clamping range, min. | 0.13 mm ² |
| Clamping range, max. | 6 mm ² |
| Type of connection | Screw connection |
| 2nd type of connection | screwed |
| Connection direction | on side |
| No. of connections | 2 |
| Stripping length | 10 mm |
| Clamping screw | M 3 |
| Blade size | 0.6 x 3.5 mm |
| Tightening torque range | 0.5...1.0 Nm |
| Torque level with DMS electric screwdriver | 2 |

Conductors for clamping (rated connection)

| | |
|--|----------------------|
| Gauge to IEC 60947-1 | A4 |
| Solid, min. | 0.5 mm ² |
| Solid, max. | 6 mm ² |
| Stranded, min. | 1.5 mm ² |
| Stranded, max. | 6 mm ² |
| Flexible, min. | 0.5 mm ² |
| Flexible, max. | 6 mm ² |
| Flexible with ferrule, min. (DIN 46228/1) | 0.5 mm ² |
| Flexible with ferrule, max. (DIN 46228/1) | 4 mm ² |
| Flexible, min., ferrule with plastic collar (DIN 46228 pt 4) | 0.5 mm ² |
| Flexible, max., ferrule with plastic collar (DIN 46228 pt 4) | 4 mm ² |
| Twin wire-end ferrule, min. | 0.5 mm ² |
| Twin wire end ferrule, max. | 2.5 mm ² |
| AWG conductor size, min. | AWG 26 |
| AWG conductor size, max. | AWG 10 |
| AWG conductor size, min. | 0.13 mm ² |
| AWG conductor size, max. | 5.26 mm ² |

Dimensions

| | |
|--------------------------|--------|
| Width | 6.1 mm |
| Height of lowest version | 47 mm |
| Length | 60 mm |
| Weight | 10.4 g |
| TS 35 offset | 32 mm |

Disconnect terminals

| | |
|--|---|
| Torque level with DMS electric screwdriver | 2 |
|--|---|

Rating data

| | |
|-----------------------------|-------------------|
| Rated cross-section | 4 mm ² |
| Rated voltage | 800 V |
| Rated impulse voltage | 8 kV |
| Rated current | 32 A |
| Standards | IEC 60947-7-1 |
| Current with max. conductor | 41 A |
| Pollution severity | 3 |

UL rating data

| | |
|-------------------------|--------|
| Voltage (UL) | 600 V |
| Current (UL) | 35 A |
| Min. cross-section (UL) | AWG 22 |
| Max. cross-section (UL) | AWG 10 |

Approvals

Approvals institutes



Downloads

| | |
|------|--------------------------------|
| DXF | 09253_WDU_4_DXF.dxf |
| STEP | 1020100000_09253_WDU_4_STP.stp |

Classifications

| | |
|------------|-------------|
| ETIM 2.0 | EC000897 |
| ETIM 3.0 | EC000897 |
| eClass 4.1 | 27-14-11-20 |
| eClass 5.0 | 27-14-11-20 |
| eClass 5.1 | 27-14-11-20 |

Similar products

| Order No. | Part designation | Version |
|------------|------------------|---|
| 1020180000 | WDU 4 BL | Feed-through terminal, 4 mm ² , Screw connection, Wemid, blue, TS 35 |
| 1037810000 | WDU 4 BR | Feed-through terminal, 4 mm ² , Screw connection, Wemid, brown, TS 35 |
| 1020120000 | WDU 4 GE | Feed-through terminal, 4 mm ² , Screw connection, Wemid, yellow, TS 35 |
| 1020160000 | WDU 4 GN | Feed-through terminal, 4 mm ² , Screw connection, Wemid, green, TS 35 |
| 1037800000 | WDU 4 GR | Feed-through terminal, 4 mm ² , Screw connection, Wemid, grey, TS 35 |
| 1036760000 | WDU 4 OR | Feed-through terminal, 4 mm ² , Screw connection, Polyamide, Orange, TS 35 |
| 1020140000 | WDU 4 RT | Feed-through terminal, 4 mm ² , Screw connection, Wemid, red, TS 35 |
| 1020110000 | WDU 4 SW | Feed-through terminal, 4 mm ² , Screw connection, Wemid, black, TS 35 |
| 1036700000 | WDU 4 WS | Feed-through terminal, 4 mm ² , Screw connection, Wemid, white, TS 35 |

| | | |
|------------|--------------|---|
| 1021000000 | WDU 4/10 | Feed-through terminal, 4 mm ² , Screw connection, Wemid, dark beige, TS 35 |
| 1020900000 | WDU 4/10/BEZ | Feed-through terminal, 4 mm ² , Screw connection, Wemid, dark beige, TS 35 |
| 1905140000 | WDU 4/ZR | Feed-through terminal, 4 mm ² , Screw connection, Wemid, dark beige, TS 35 |
| 1905060000 | WDU 4/ZZ | Feed-through terminal, 4 mm ² , Screw connection, Wemid, dark beige, TS 35 |