

LK5220

2P20A 弓掛式中間插座

勝特力材料 886-3-5753170
 勝特力电子(上海) 86-21-34970699
 勝特力电子(深圳) 86-755-83298787
[Http://www.100y.com.tw](http://www.100y.com.tw)



○ Product Description

- Industrial Specification Grade Non-NEMA Locking Rubber Connector
- Non-NEMA Twist-Lock Rubber Connector
- Non-NEMA Locking Type Rubber Connector

○ Product Feature

Configuration	2-Pole, 2-Wire Locking Rubber Connector
Wiring Method	Back Wire
Rating	20A 250V, AC 60HZ
Terminal Accommodation	#12 AWG
Material	Bakelite/Rubber

● Related Products



LK2220K

Non NEMA Locking
Surface Receptacle



LK6220

Non NEMA Locking
Plug



LK8220

Non NEMA Locking
Rubber Plug



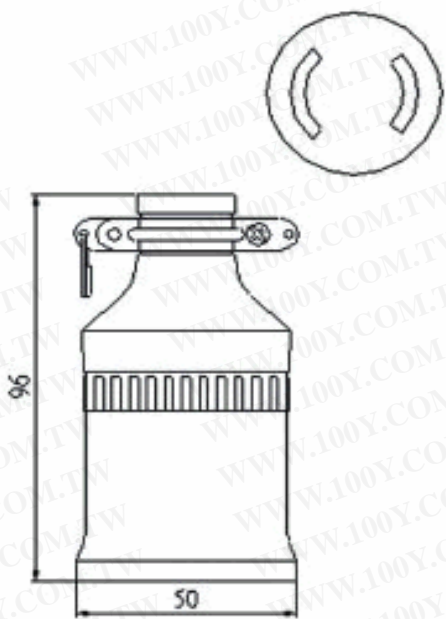
LK2220F

Non NEMA Locking
Receptacle



LK5220-1

Non NEMA Locking
Connector



中間插座
電木, 橡膠
Receptacle
Bakelite, Rubber

勝特力材料 886-3-5753170
胜特力电子(上海) 86-21-34970699
胜特力电子(深圳) 86-755-83298787
[Http://www.100y.com.tw](http://www.100y.com.tw)