

IEC Appliance Inlet C14/C18, Screw-on Mounting, Front Side, Solder or Quick-connect, Screw Terminal



See below:

Approvals and Compliances

Description

- Panel mount :
 Screw-on mounting , Front Side
- 1 Function
- Appliance Inlet , Pin temperature 70 °C , protection class I or II
- Solder, Quick Connect or Screw Terminals

Other versions on request

- Variant with notch for V-Lock mating Cordsets
- PCB terminals

Weblinks

[pdf data sheet](#), [html datasheet](#), [General Product Information](#), [Distributor-Stock-Check](#), [Accessories](#), [Detailed request for product](#), [Landing Page](#)

Newly available variants corresponding to V-Lock mating cordset. The connector is equipped with a notch intended for use with the latching cordset. The cord latching system prevents against accidental removal of the cordset.

Technical Data

Ratings IEC	10A / 250VAC; 50Hz	appliance inlet/-outlet	C14 / C18 acc. to IEC 60320-1
Ratings UL/CSA	15A / 250VAC; 60Hz		UL 60320-1, CSA C22.2 no. 60320-1
Dielectric Strength	> 3kVAC between L-N > 1.5kVAC between L/N-PE (1 min/50Hz)		(for cold conditions) pin-temperature 70 °C, 10A, Protection Class I or II
Allowable Operation Temperature	-25 °C to 70 °C		
IP-Protection	from front side IP20 acc. to IEC 60529		
Protection against electric shock	Suitable for appliances with protection class I or II acc. to IEC 61140		
Material: Housing	PA6, black / grey / white, UL 94V-0		

Approvals and Compliances

Detailed information on product approvals, code requirements, usage instructions and detailed test conditions can be looked up in [Details about Approvals](#)

SCHURTER products are designed for use in industrial environments. They have approvals from independent testing bodies according to national and international standards. Products with specific characteristics and requirements such as required in the automotive sector according to IATF 16949, medical technology according to ISO 13485 or in the aerospace industry can be offered exclusively with customer-specific, individual agreements by SCHURTER.

Approvals

The approval mark is used by the testing authorities to certify compliance with the safety requirements placed on electronic products.

Approval Reference Type: 6061

Approval Logo	Certificates	Certification Body	Description
	VDE Approvals	VDE	Certificate Number: 40011871
	UL Approvals	UL	UL File Number: E96454


Product standards

Product standards that are referenced

Organization	Design	Standard	Description
	Designed according to	IEC 60320-1	Appliance couplers for household and similar general purposes
	Designed according to	UL 60320-1	Standard for Attachment Plugs and Receptacles
	Designed according to	CSA C22.2 no. 60320-1	General Use Receptacles, Attachment Plugs, and Similar Wiring Devices






Application standards

Application standards where the product can be used

Organization	Design	Standard	Description
	Designed for applications acc.	IEC/UL 60950	IEC 60950-1 includes the basic requirements for the safety of information technology equipment.

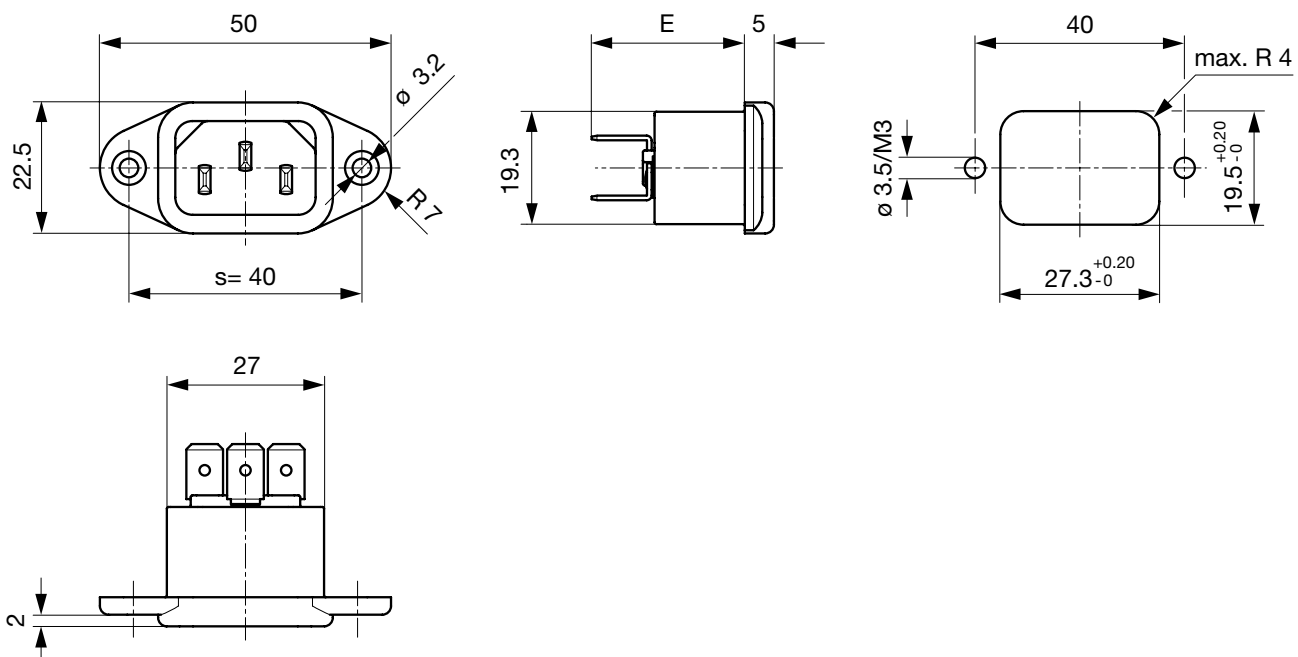
Compliances

The product complies with following Guide Lines

Identification	Details	Initiator	Description
	CE declaration of conformity	SCHURTER AG	The CE marking declares that the product complies with the applicable requirements laid down in the harmonisation of Community legislation on its affixing in accordance with EU Regulation 765/2008.
	RoHS	SCHURTER AG	Directive RoHS 2011/65/EU, Amendment (EU) 2015/863
	China RoHS	SCHURTER AG	The law SJ / T 11363-2006 (China RoHS) has been in force since 1 March 2007. It is similar to the EU directive RoHS.
	REACH	SCHURTER AG	On 1 June 2007, Regulation (EC) No 1907/2006 on the Registration, Evaluation, Authorization and Restriction of Chemicals 1 (abbreviated as "REACH") entered into force.
	Landing Page V-Lock	SCHURTER AG	V-Lock system are based on a matching plug-dose combination. The connector is equipped with a notch intended for use with the latching cordset. The cord latching system prevents against accidental removal of the cordset.

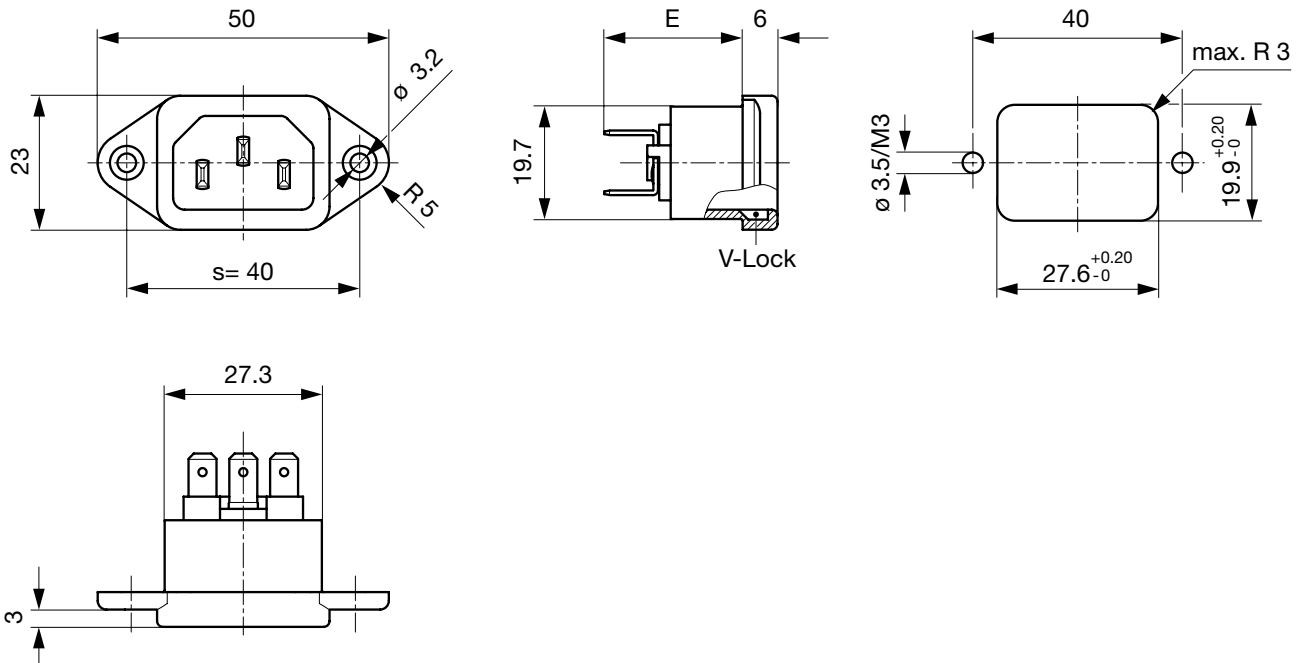
Dimensions [mm]

Countersunk mounting holes, 40 mm distance, quick connect and solder terminals



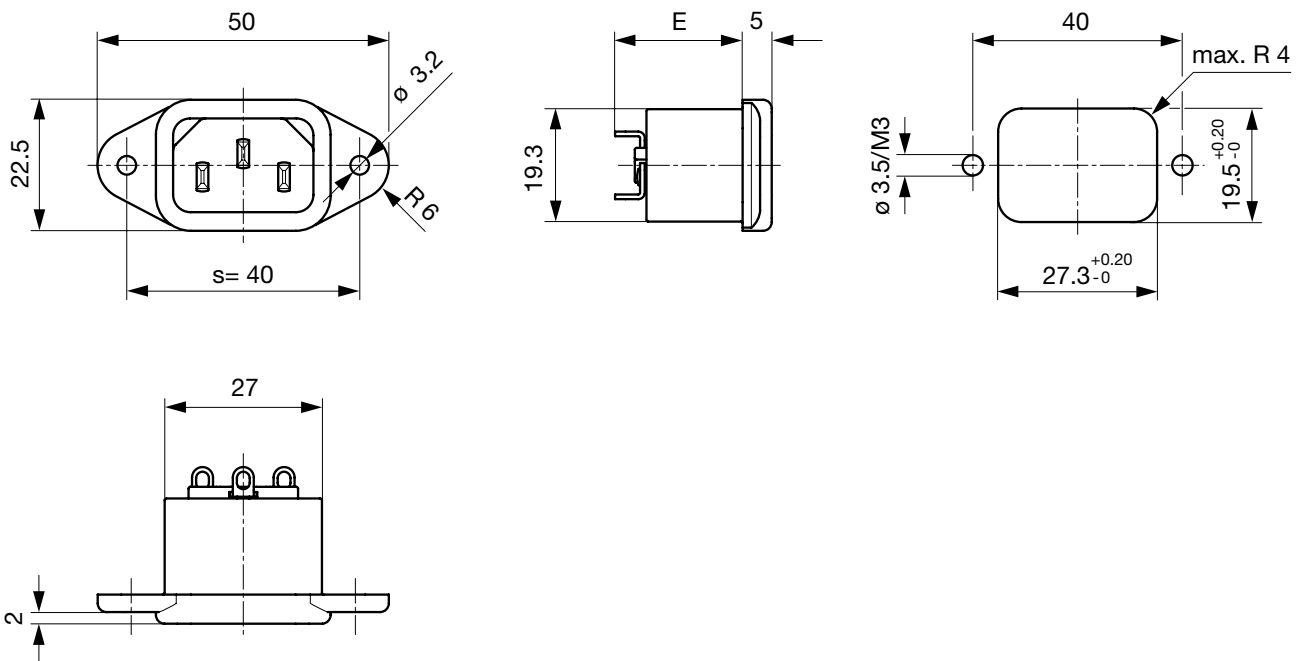
- E: Quick-connect terminals 4.8x0.8 mm: 25.3 mm
- E: Quick-connect terminals 6.3x0.8 mm: 26.3 mm
- E: Solder terminals short: 21.1 mm
- E: Solder terminals long: 24.5 mm

V-Lock version, countersunk mounting holes, 40 mm distance, quick connect and solder terminals



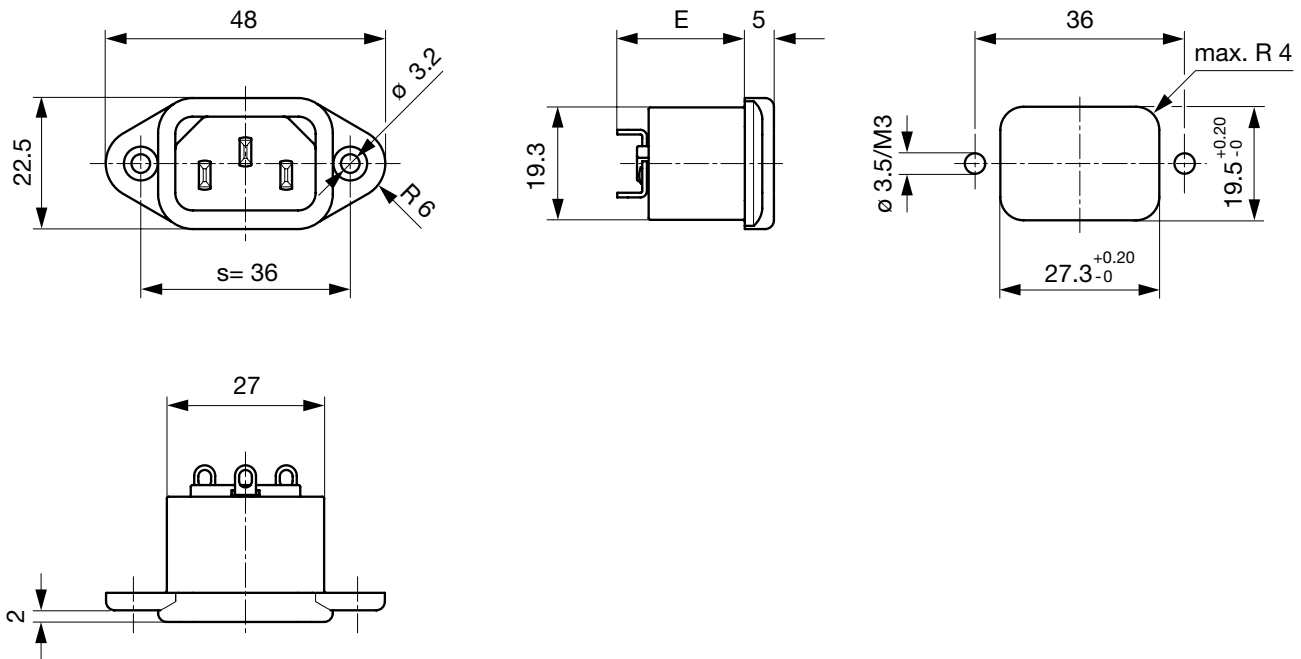
- E: Quick-connect terminals 4.8x0.8 mm: 23.8 mm
- E: Quick-connect terminals 6.3x0.8 mm: 24.8 mm
- E: Solder terminals short: 19.6 mm
- E: Solder terminals long: 23.0 mm

Through hole mounting holes, 40 mm distance, quick connect and solder terminals



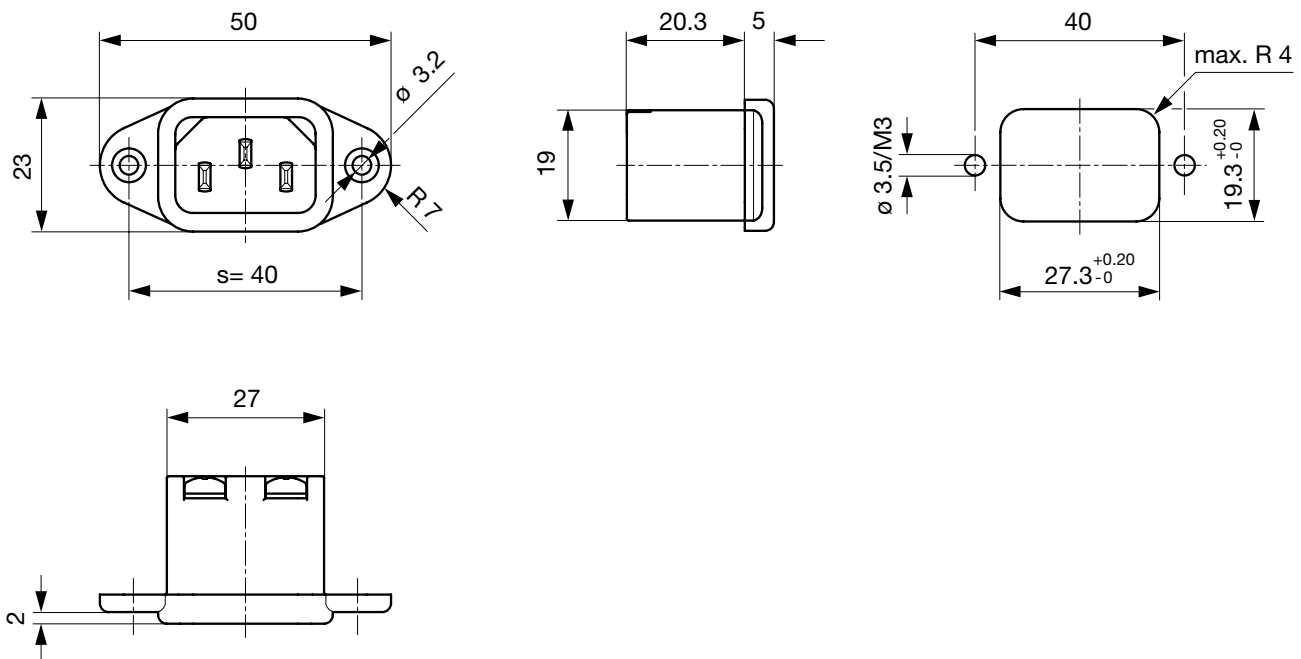
- E: Quick-connect terminals 4.8x0.8 mm: 26.1 mm
- E: Quick-connect terminals 6.3x0.8 mm: 27.1 mm
- E: Solder terminals short: 21.9 mm
- E: Solder terminals long: 25.3 mm

Countersunk mounting holes, 36 mm distance, quick connect and solder terminals

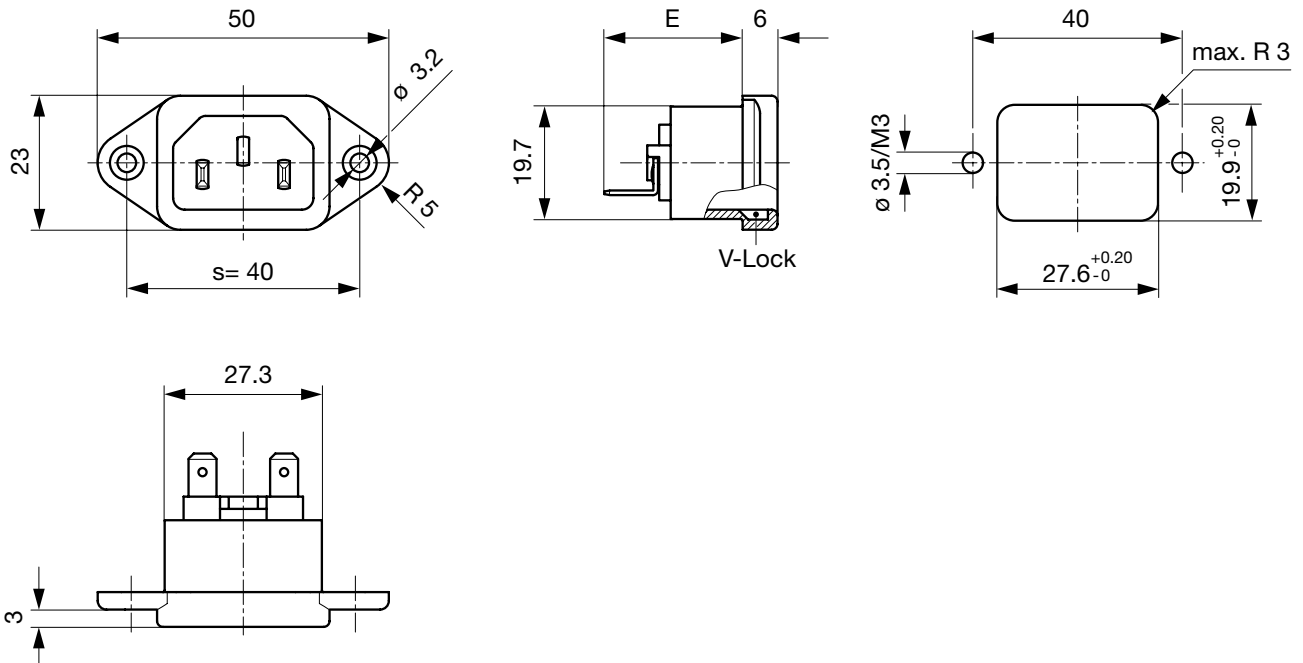


- E: Quick-connect terminals 4.8x0.8 mm: 26.1 mm
- E: Quick-connect terminals 6.3x0.8 mm: 27.1 mm
- E: Solder terminals short: 21.9 mm
- E: Solder terminals long: 25.3 mm

Countersunk mounting holes, 40 mm distance, screw terminals



Protection class II, countersunk mounting holes, 40 mm distance, quick connect and solder terminals



- E: Quick-connect terminals 4.8x0.8 mm: 23.8 mm
- E: Quick-connect terminals 6.3x0.8 mm: 24.8 mm
- E: Solder terminals short: 19.3 mm
- E: Solder terminals long: 23.0 mm

Config. Code

6061 - H - A B C 0 - D - E G O

The characters are placeholders for the correspondingly keys of selections from the key tables.

6061 - H - A B C 0 - D - E G O = Type

Type	Configuration key
protection class II	B
protection class I	X

Protection class II only with V-Lock

6061 - H - A B C 0 - D - E G O = Terminals

Terminal L	Configuration key
short solder terminal (L = 4.8 mm)	2
long solder terminal (L = 8.5 mm)	3
Blade terminal (4.8 x 0.8 mm)	8
Blade terminal (6.3 x 0.8 mm)	9
screw terminal	A

6061 - H - A B C 0 - D - E G O = Terminals

Terminal N

Terminal N	Configuration key
short solder terminal (L = 4.8 mm)	2
long solder terminal (L = 8.5 mm)	3
Blade terminal (4.8 x 0.8 mm)	8
Blade terminal (6.3 x 0.8 mm)	9
screw terminal	A

Symbols similar as in table A

6061 - H - A B C 0 - D - E G O = Terminals

Terminal Ground

Terminal Ground	Configuration key
without terminal	0
short solder terminal (L = 4.8 mm)	2
long solder terminal (L = 8.5 mm)	3
Blade terminal (4.8 x 0.8 mm)	8
Blade terminal (6.3 x 0.8 mm)	9
screw terminal	A

Symbols similar as in table A

6061 - H - A B C 0 - D - E G O = Color

Color	Configuration key
Black	A
Grey	B
White	D

6061 - H - A B C O - D - E G O = Style

Style	Configuration key
flange with countersunk holes	1
flange with through holes	2

6061 - H - A B C O - D - E G O = Dimension S

Dimension "S"	Configuration key
36	
40	

The dimension "S" is displayed in (1/10 mm). This information is also valid for the order code

6061 - H - A B C O - D - E G O = Features

Features	Configuration key
without V-Lock	0
V-Lock	V

V-Lock only with Dimension "X" = 40

All Variants

Config. Code	Designation	Order Number
6061-X-2220-A-136	6061, IEC Appliance Inlet C14, 70°C, version: protection class I, L: short solder terminal (L = 4.8 mm), N: short solder terminal (L = 4.8 mm), ground: short solder terminal (L = 4.8 mm), color: Black, design: flange with countersunk holes, dimension S: 36, features:	6162.0045
6061-X-2220-A-140	6061, IEC Appliance Inlet C14, 70°C, version: protection class I, L: short solder terminal (L = 4.8 mm), N: short solder terminal (L = 4.8 mm), ground: short solder terminal (L = 4.8 mm), color: Black, design: flange with countersunk holes, dimension S: 40, features:	6162.0046
6061-X-2220-A-240	6061, IEC Appliance Inlet C14, 70°C, version: protection class I, L: short solder terminal (L = 4.8 mm), N: short solder terminal (L = 4.8 mm), ground: short solder terminal (L = 4.8 mm), color: Black, design: flange with through holes, dimension S: 40, features:	6162.0047
6061-X-2220-B-140	6061, IEC Appliance Inlet C14, 70°C, version: protection class I, L: short solder terminal (L = 4.8 mm), N: short solder terminal (L = 4.8 mm), ground: short solder terminal (L = 4.8 mm), color: Grey, design: flange with countersunk holes, dimension S: 40, features:	6162.0048
6061-X-3330-A-136	6061, IEC Appliance Inlet C14, 70°C, version: protection class I, L: long solder terminal (L = 8.5 mm), N: long solder terminal (L = 8.5 mm), ground: long solder terminal (L = 8.5 mm), color: Black, design: flange with countersunk holes, dimension S: 36, features:	6162.0049
6061-X-3330-A-140	6061, IEC Appliance Inlet C14, 70°C, version: protection class I, L: long solder terminal (L = 8.5 mm), N: long solder terminal (L = 8.5 mm), ground: long solder terminal (L = 8.5 mm), color: Black, design: flange with countersunk holes, dimension S: 40, features:	6162.0050
6061-X-3330-B-140	6061, IEC Appliance Inlet C14, 70°C, version: protection class I, L: long solder terminal (L = 8.5 mm), N: long solder terminal (L = 8.5 mm), ground: long solder terminal (L = 8.5 mm), color: Grey, design: flange with countersunk holes, dimension S: 40, features:	6162.0052
6061-X-8880-A-136	6061, IEC Appliance Inlet C14, 70°C, version: protection class I, L: Blade terminal (4.8 x 0.8 mm), N: Blade terminal (4.8 x 0.8 mm), ground: Blade terminal (4.8 x 0.8 mm), color: Black, design: flange with countersunk holes, dimension S: 36, features:	6162.0054
6061-X-8880-A-140	6061, IEC Appliance Inlet C14, 70°C, version: protection class I, L: Blade terminal (4.8 x 0.8 mm), N: Blade terminal (4.8 x 0.8 mm), ground: Blade terminal (4.8 x 0.8 mm), color: Black, design: flange with countersunk holes, dimension S: 40, features:	6162.0055
6061-X-9990-A-136	6061, IEC Appliance Inlet C14, 70°C, version: protection class I, L: Blade terminal (6.3 x 0.8 mm), N: Blade terminal (6.3 x 0.8 mm), ground: Blade terminal (6.3 x 0.8 mm), color: Black, design: flange with countersunk holes, dimension S: 36, features:	6162.0057
6061-X-9990-A-140	6061, IEC Appliance Inlet C14, 70°C, version: protection class I, L: Blade terminal (6.3 x 0.8 mm), N: Blade terminal (6.3 x 0.8 mm), ground: Blade terminal (6.3 x 0.8 mm), color: Black, design: flange with countersunk holes, dimension S: 40, features:	6162.0058
6061-X-9990-B-140	6061, IEC Appliance Inlet C14, 70°C, version: protection class I, L: Blade terminal (6.3 x 0.8 mm), N: Blade terminal (6.3 x 0.8 mm), ground: Blade terminal (6.3 x 0.8 mm), color: Grey, design: flange with countersunk holes, dimension S: 40, features:	6162.0059
6061-X-AAA0-A-140	6061, IEC Appliance Inlet C14, 70°C, version: protection class I, L: screw terminal, N: screw terminal, ground: screw terminal, color: Black, design: flange with countersunk holes, dimension S: 40, features:	6162.0061
6061-X-2220-A-140V	6061, IEC Appliance Inlet C14, 70°C, version: protection class I, L: short solder terminal (L = 4.8 mm), N: short solder terminal (L = 4.8 mm), ground: short solder terminal (L = 4.8 mm), color: Black, design: flange with countersunk holes, dimension S: 40, features: V-Lock	6162.0157
6061-X-8880-A-140V	6061, IEC Appliance Inlet C14, 70°C, version: protection class I, L: Blade terminal (4.8 x 0.8 mm), N: Blade terminal (4.8 x 0.8 mm), ground: Blade terminal (4.8 x 0.8 mm), color: Black, design: flange with countersunk holes, dimension S: 40, features: V-Lock	6162.0158
6061-X-9990-A-140V	6061, IEC Appliance Inlet C14, 70°C, version: protection class I, L: Blade terminal (6.3 x 0.8 mm), N: Blade terminal (6.3 x 0.8 mm), ground: Blade terminal (6.3 x 0.8 mm), color: Black, design: flange with countersunk holes, dimension S: 40, features: V-Lock	6162.0159
6061-B-9900-A-140V	6061, IEC Appliance Inlet C18, 70°C, version: protection class II, L: Blade terminal (6.3 x 0.8 mm), N: Blade terminal (6.3 x 0.8 mm), ground: without terminal, color: Black, design: flange with countersunk holes, dimension S: 40, features: V-Lock	6162.0175

The listed variants should be available from stock Other versions on request www.schurter.com/contact

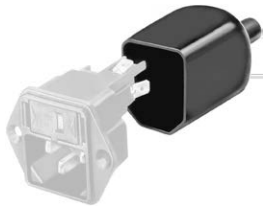
Most Popular.

Availability for all products can be searched real-time: <https://www.schurter.com/en/Stock-Check/Stock-Check-SCHURTER>

Packaging unit 50 Pcs

Accessories

Description



Assorted Covers
 Rear Cover

Mating Outlets/Connectors

Category / Description

[Appliance Outlet Overview complete](#)



4787, Mounting: Screw-on mounting, Appliance Outlet: IEC Solder terminals, 10 A, Suitable for appliances with protection class I	4787
4788, Mounting: Snap-in version, Appliance Outlet: IEC Solder terminals or quick connect terminals, 10 A, Suitable for appliances with protection class I	4788
IEC Appliance Outlet F or H, Screw-on Mounting, Front Side, Solder, PCB or Quick-connect Terminal	5091

[Appliance Outlet further types to 6061](#)

[Connector Overview complete](#)



4022 Mounting: Power Supply Cord, 3 x 1.5 mm ² , Screw clamps, Connector: IEC C13	4022
4782 Mounting: Power Cord, 3 x 1 mm ² / 3 x 18 AWG, Cable, Connector: IEC C13	4782
4012 Mounting: Power Supply Cord, 3 x 1 mm ² , Screw clamps, Connector: IEC C13	4012
4785 Mounting: Power Cord, 3 x 1 mm ² / 3 x 18 AWG, Cable, Connector: IEC C13	4785
4300-06 Mounting: Power Cord, 3 x 1 mm ² / 3 x 18 AWG, Cable, Connector: IEC C13	4300-06

[Connector further types to 6061](#)

...

Mating Outlets/Connectors shuttered

[Power Cord Overview complete](#)



VAC13KS, Overview, V-Lock cord retaining, diverse Connector IEC C13, diverse, black	VAC13KS
VAC17KS, V-Lock cord retaining, diverse m, Connector IEC C17, diverse, black / grey / white	VAC17KS

[Power Cord further types to 6061](#)