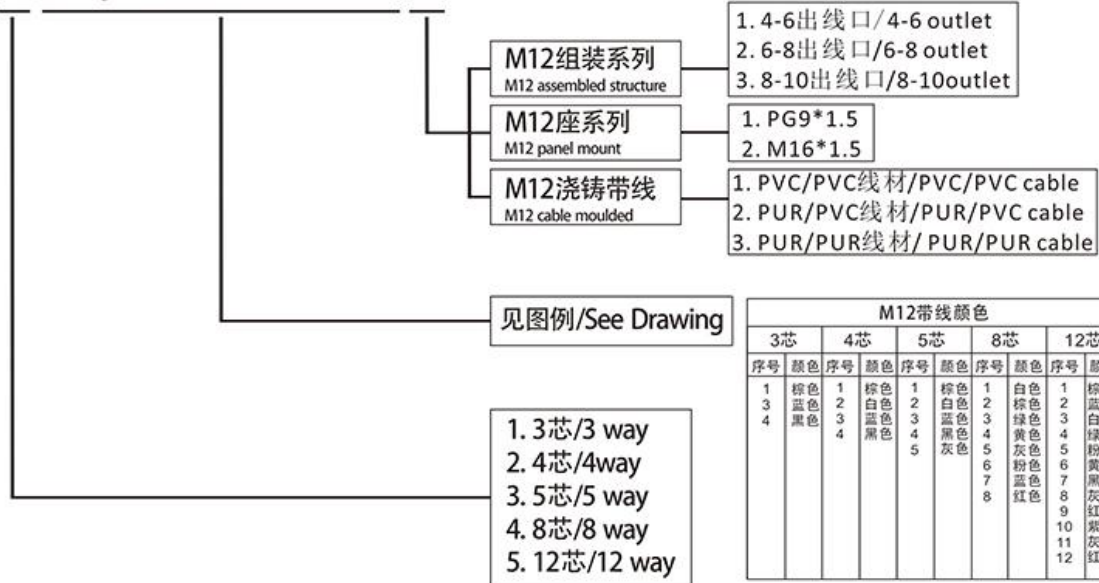


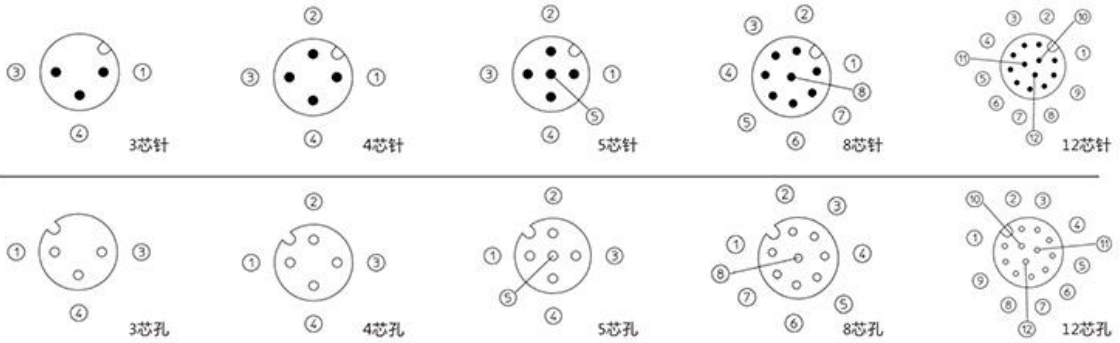
M12 系列/M12 SERIES 选型说明/Part Number selection Guide

X-主号/Main Number-X

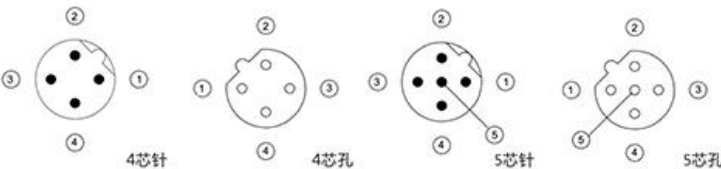


M12 系列/M12 SERIES 针孔排列/Pinhole array

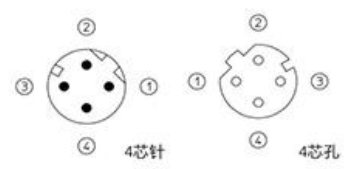
A-code



B-code



D-code



## M12 系列普通型

M12连接器直, 针, 塑料锁紧, 螺钉压接, 12芯为焊接

M12 connector 180°, male, plastic locking system, screw termination, solder termination on 12 pol



针数 contacts	电缆出线直径 cable outlet(mm)	订 货 号 ordering-number
3	4-6	1-12101-1
	6-8	1-12101-2
	8-10	1-12101-3
	双出线	1-12101-4
4	4-6	2-12101-1
	6-8	2-12101-2
	8-10	2-12101-3
	双出线	2-12101-4
5	4-6	3-12101-1
	6-8	3-12101-2
	8-10	3-12101-3
	双出线	3-12101-4
8	4-6	4-12101-1
	6-8	4-12101-2
	8-10	4-12101-3
	双出线	4-12101-4
12	4-6	5-12101-1
	6-8	5-12101-2
	8-10	5-12101-3
	双出线	5-12101-4

M12连接器直, 针, 金属锁紧, 螺钉压接, 12芯为焊接

M12 connector 180°, male, metal locking system, screw termination, solder termination on 12 pol



针数 contacts	电缆出线直径 cable outlet(mm)	订 货 号 ordering-number
3	4-6	1-12103-1
	6-8	1-12103-2
	8-10	1-12103-3
	双出线	1-12103-4
4	4-6	2-12103-1
	6-8	2-12103-2
	8-10	2-12103-3
	双出线	2-12103-4
5	4-6	3-12103-1
	6-8	3-12103-2
	8-10	3-12103-3
	双出线	3-12103-4
8	4-6	4-12103-1
	6-8	4-12103-2
	8-10	4-12103-3
	双出线	4-12103-4
12	4-6	5-12103-1
	6-8	5-12103-2
	8-10	5-12103-3
	双出线	5-12103-4

M12连接器, 针, 锌合金锁紧, 螺钉压接, 12芯为焊接

M12 connector 180°, male, white metal locking system, screw termination, solder termination on 12 pol



针数 contacts	电缆出线直径 cable outlet(mm)	订 货 号 ordering-number
3	4-6	1-12105-1
	6-8	1-12105-2
	8-10	1-12105-3
	双出线	1-12105-4
4	4-6	2-12105-1
	6-8	2-12105-2
	8-10	2-12105-3
	双出线	2-12105-4
5	4-6	3-12105-1
	6-8	3-12105-2
	8-10	3-12105-3
	双出线	3-12105-4
8	4-6	4-12105-1
	6-8	4-12105-2
	8-10	4-12105-3
	双出线	4-12105-4
12	4-6	5-12105-1
	6-8	5-12105-2
	8-10	5-12105-3
	双出线	5-12105-4

## M12 系列普通型

M12连接器直, 孔, 塑料锁紧, 螺钉压接, 12芯为焊接

M12 connector 180°, female, plastic locking system, screw termination, solder termination on 12 pol



针数 contacts	电缆出线直径 cable outlet(mm)	订 货 号 ordering-number
3	4-6	1-12102-1
	6-8	1-12102-2
	8-10	1-12102-3
	双出线	1-12102-4
4	4-6	2-12102-1
	6-8	2-12102-2
	8-10	2-12102-3
	双出线	2-12102-4
5	4-6	3-12102-1
	6-8	3-12102-2
	8-10	3-12102-3
	双出线	3-12102-4
8	4-6	4-12102-1
	6-8	4-12102-2
	8-10	4-12102-3
	双出线	4-12102-4
12	4-6	5-12102-1
	6-8	5-12102-2
	8-10	5-12102-3
	双出线	5-12102-4

M12连接器直, 孔, 金属锁紧, 螺钉压接, 12芯为焊接

M12 connector 180°, female, metal locking system, screw termination, solder termination on 12 pol



针数 contacts	电缆出线直径 cable outlet(mm)	订 货 号 ordering-number
3	4-6	1-12104-1
	6-8	1-12104-2
	8-10	1-12104-3
	双出线	1-12104-4
4	4-6	2-12104-1
	6-8	2-12104-2
	8-10	2-12104-3
	双出线	2-12104-4
5	4-6	3-12104-1
	6-8	3-12104-2
	8-10	3-12104-3
	双出线	3-12104-4
8	4-6	4-12104-1
	6-8	4-12104-2
	8-10	4-12104-3
	双出线	4-12104-4
12	4-6	5-12104-1
	6-8	5-12104-2
	8-10	5-12104-3
	双出线	5-12104-4

M12连接器直, 孔, 锌合金锁紧, 螺钉压接, 12芯为焊接

M12 connector 180°, female, white metal locking system, screw termination, solder termination on 12 pol



针数 contacts	电缆出线直径 cable outlet(mm)	订 货 号 ordering-number
3	4-6	1-12106-1
	6-8	1-12106-2
	8-10	1-12106-3
	双出线	1-12106-4
4	4-6	2-12106-1
	6-8	2-12106-2
	8-10	2-12106-3
	双出线	2-12106-4
5	4-6	3-12106-1
	6-8	3-12106-2
	8-10	3-12106-3
	双出线	3-12106-4
8	4-6	4-12106-1
	6-8	4-12106-2
	8-10	4-12106-3
	双出线	4-12106-4
12	4-6	5-12106-1
	6-8	5-12106-2
	8-10	5-12106-3
	双出线	5-12106-4

## M12 系列普通型

M12连接器弯, 针, 塑料锁紧, 螺钉压接, 12芯为焊接  
M12 connector 90°, male, plastic locking system, screw termination, solder termination on 12 pol



针数 contacts	电缆出线直径 cable outlet(mm)	订 货 号 ordering-number
3	4-6	1-12107-1
	6-8	1-12107-2
	8-10	1-12107-3
	双出线	1-12107-4
4	4-6	2-12107-1
	6-8	2-12107-2
	8-10	2-12107-3
	双出线	2-12107-4
5	4-6	3-12107-1
	6-8	3-12107-2
	8-10	3-12107-3
	双出线	3-12107-4
8	4-6	4-12107-1
	6-8	4-12107-2
	8-10	4-12107-3
	双出线	4-12107-4
12	4-6	5-12107-1
	6-8	5-12107-2
	8-10	5-12107-3
	双出线	5-12107-4

M12连接器弯, 针, 金属锁紧, 螺钉压接, 12芯为焊接  
M12 connector 90°, male, metal locking system, screw termination, solder termination on 12 pol



针数 contacts	电缆出线直径 cable outlet(mm)	订 货 号 ordering-number
3	4-6	1-12109-1
	6-8	1-12109-2
	8-10	1-12109-3
	双出线	1-12109-4
4	4-6	2-12109-1
	6-8	2-12109-2
	8-10	2-12109-3
	双出线	2-12109-4
5	4-6	3-12109-1
	6-8	3-12109-2
	8-10	3-12109-3
	双出线	3-12109-4
8	4-6	4-12109-1
	6-8	4-12109-2
	8-10	4-12109-3
	双出线	4-12109-4
12	4-6	5-12109-1
	6-8	5-12109-2
	8-10	5-12109-3
	双出线	5-12109-4

M12连接器弯, 针, 锌合金锁紧, 螺钉压接, 12芯为焊接  
M12 connector 90°, male, white metal locking system, screw termination, solder termination on 12 pol



针数 contacts	电缆出线直径 cable outlet(mm)	订 货 号 ordering-number
3	4-6	1-12111-1
	6-8	1-12111-2
	8-10	1-12111-3
	双出线	1-12111-4
4	4-6	2-12111-1
	6-8	2-12111-2
	8-10	2-12111-3
	双出线	2-12111-4
5	4-6	3-12111-1
	6-8	3-12111-2
	8-10	3-12111-3
	双出线	3-12111-4
8	4-6	4-12111-1
	6-8	4-12111-2
	8-10	4-12111-3
	双出线	4-12111-4
12	4-6	5-12111-1
	6-8	5-12111-2
	8-10	5-12111-3
	双出线	5-12111-4

## M12 系列普通型

M12连接器弯, 孔, 塑料锁紧, 螺钉压接, 12芯为焊接

M12 connector 90°, female, plastic locking system, screw termination, solder termination on 12 pol



针数 contacts	电缆出线直径 cable outlet(mm)	订 货 号 ordering-number
3	4-6	1-12108-1
	6-8	1-12108-2
	8-10	1-12108-3
	双出线	1-12108-4
4	4-6	2-12108-1
	6-8	2-12108-2
	8-10	2-12108-3
	双出线	2-12108-4
5	4-6	3-12108-1
	6-8	3-12108-2
	8-10	3-12108-3
	双出线	3-12108-4
8	4-6	4-12108-1
	6-8	4-12108-2
	8-10	4-12108-3
	双出线	4-12108-4
12	4-6	5-12108-1
	6-8	5-12108-2
	8-10	5-12108-3
	双出线	5-12108-4

M12连接器弯, 孔, 金属锁紧, 螺钉压接, 12芯为焊接

M12 connector 90°, female, metal locking system, screw termination, solder termination on 12 pol



针数 contacts	电缆出线直径 cable outlet(mm)	订 货 号 ordering-number
3	4-6	1-12110-1
	6-8	1-12110-2
	8-10	1-12110-3
	双出线	1-12110-4
4	4-6	2-12110-1
	6-8	2-12110-2
	8-10	2-12110-3
	双出线	2-12110-4
5	4-6	3-12110-1
	6-8	3-12110-2
	8-10	3-12110-3
	双出线	3-12110-4
8	4-6	4-12110-1
	6-8	4-12110-2
	8-10	4-12110-3
	双出线	4-12110-4
12	4-6	5-12110-1
	6-8	5-12110-2
	8-10	5-12110-3
	双出线	5-12110-4

M12连接器弯, 孔, 锌合金锁紧, 螺钉压接, 12芯为焊接

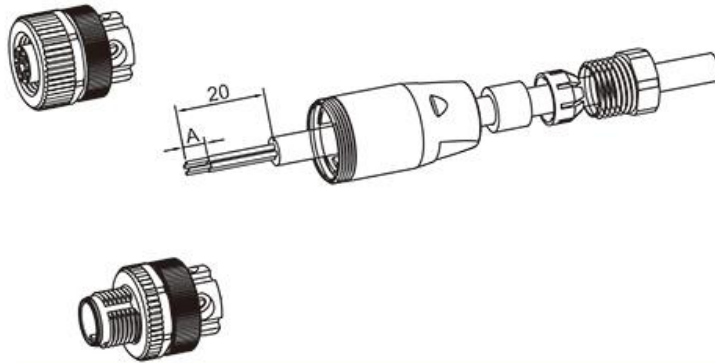
M12 connector 90°, female, white metal locking system, screw termination, solder termination on 12 pol



针数 contacts	电缆出线直径 cable outlet(mm)	订 货 号 ordering-number
3	4-6	1-12112-1
	6-8	1-12112-2
	8-10	1-12112-3
	双出线	1-12112-4
4	4-6	2-12112-1
	6-8	2-12112-2
	8-10	2-12112-3
	双出线	2-12112-4
5	4-6	3-12112-1
	6-8	3-12112-2
	8-10	3-12112-3
	双出线	3-12112-4
8	4-6	4-12112-1
	6-8	4-12112-2
	8-10	4-12112-3
	双出线	4-12112-4
12	4-6	5-12112-1
	6-8	5-12112-2
	8-10	5-12112-3
	双出线	5-12112-4

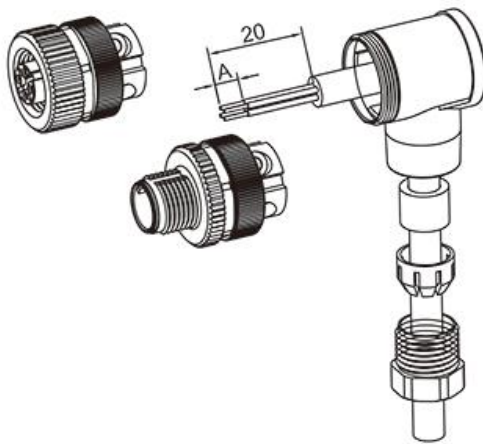
## M12系列普通型接线组装图

M12普通型直头接线组装图



插头,针/孔  
套筒  
密封圈  
夹紧圈  
压紧螺帽

M12普通型弯头接线组装图



插头,针/孔  
弯角底座  
密封圈  
夹紧圈  
压紧螺帽

## M12系列普通型技术参数

针数	3	4	5	8	12	Number of contacts
锁紧方式	螺纹式/screw					Connector locking system
接线方式	螺钉压接/screw			焊接/solder		Termination
连接截面	最大 0.75 平方毫米 / max.0.75mm <sup>2</sup>		最大 0.5 平方毫米 / max.0.5mm <sup>2</sup>	最大 0.25 平方毫米 / max.0.25mm <sup>2</sup>		Wire guage
电缆直径	4-6;6-8;8-10					Cable outlet
防护等级	IP67					Degree go protection
机械寿命	>100次插拔周期 / >100 mating cycles					Mechanical operation
工作温度	(-40° - 85°)					temperature range
额定电压	250V	250V <sup>1)</sup>	125V	60V	30V	Rated voltage
额定冲击电压	2500V	2500V	1500V	800V	500V	Rated impulse voltage
污染等级	3					Pollution degree
过电保护等级	II					Overvoltage categorie
绝缘组别	II					Material group
额定电流 (40°)	4A			2A	1A	Rated current(40°)
接触电阻	<=10mΩ (金/gold)					Contact resistance
触点材料	黄铜/brass					Material of contact
触点电镀材料	金/gold					Contact plating
插座材料	尼龙/PA					Material of contact body
外壳材料	尼龙/PA					Material of housing
锁键	A	A;B;D	A;B	A	A	coding key