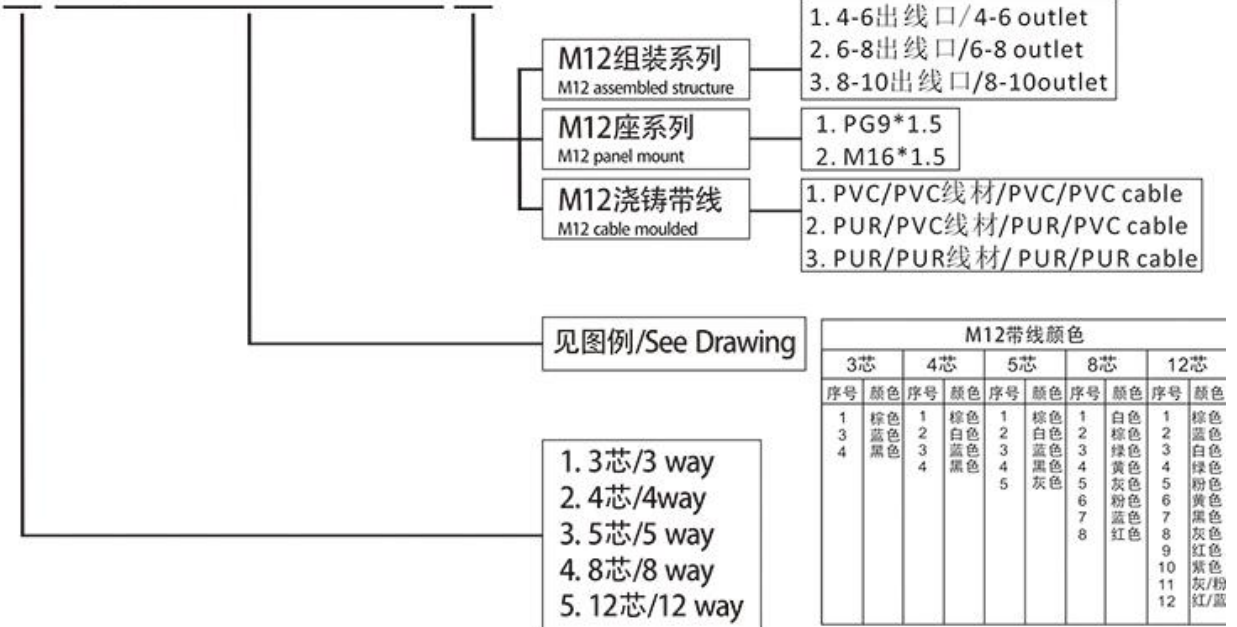


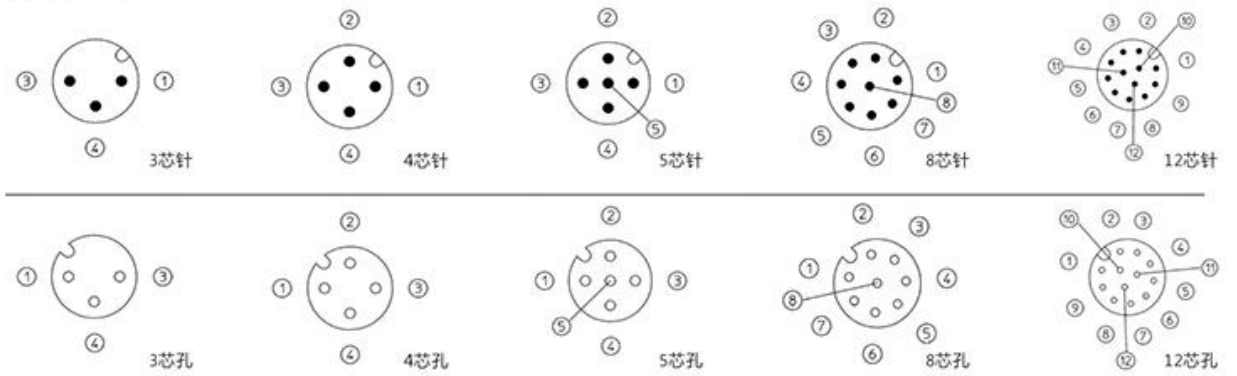
M12 系列/M12 SERIES 选型说明/Part Number selection Guide

X-主号/Main Number-X

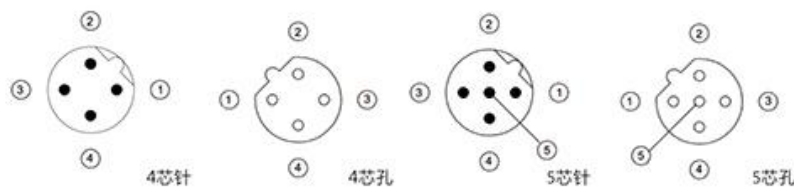


M12 系列/M12 SERIES 针孔排列/Pinhole array

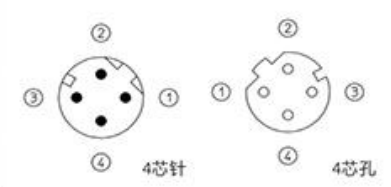
A-code



B-code

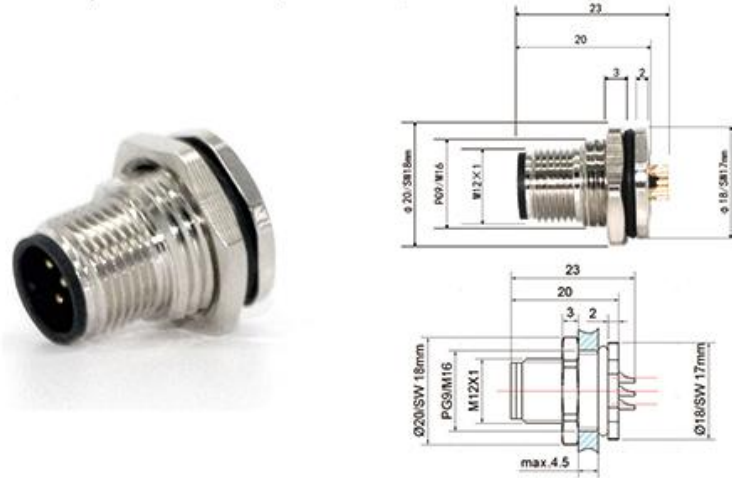


D-code



## M12系列法兰座

M12法兰座, 针, 正面旋紧, 焊接  
M12 male panel mount connector, front fastened, solder



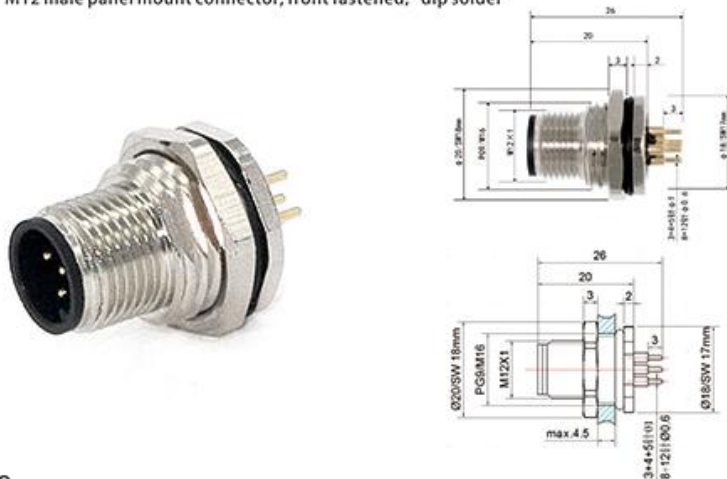
针数 contacts	螺纹规格 Fixing tread	订 货 号 ordering-number
3	PG9*1.5	1-12301-1
	M16*1.5	1-12301-2
4	PG9*1.5	2-12301-1
	M16*1.5	2-12301-2
5	PG9*1.5	3-12301-1
	M16*1.5	3-12301-2
8	PG9*1.5	4-12301-1
	M16*1.5	4-12301-2
12	PG9*1.5	5-12301-1
	M16*1.5	5-12301-2

M12法兰座, 针, 正面旋紧, 带单线  
M12 male panel mount connector, front fastened, with single wires



针数 contacts	螺纹规格 Fixing tread	订 货 号 ordering-number
3	PG9*1.5	1-12303-1
	M16*1.5	1-12303-2
4	PG9*1.5	2-12303-1
	M16*1.5	2-12303-2
5	PG9*1.5	3-12303-1
	M16*1.5	3-12303-2
8	PG9*1.5	4-12303-1
	M16*1.5	4-12303-2
12	PG9*1.5	5-12303-1
	M16*1.5	5-12303-2

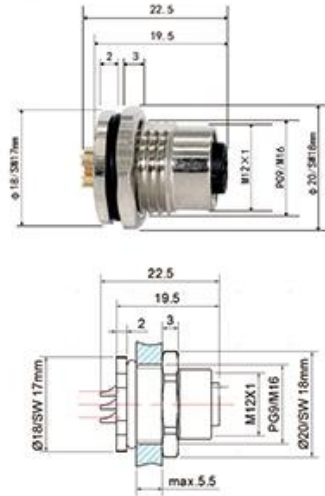
M12法兰座, 针, 正面旋紧, 浸焊  
M12 male panel mount connector, front fastened, dip solder



针数 contacts	螺纹规格 Fixing tread	订 货 号 ordering-number
3	PG9*1.5	1-12305-1
	M16*1.5	1-12305-2
4	PG9*1.5	2-12305-1
	M16*1.5	2-12305-2
5	PG9*1.5	3-12305-1
	M16*1.5	3-12305-2
8	PG9*1.5	4-12305-1
	M16*1.5	4-12305-2
12	PG9*1.5	5-12305-1
	M16*1.5	5-12305-2

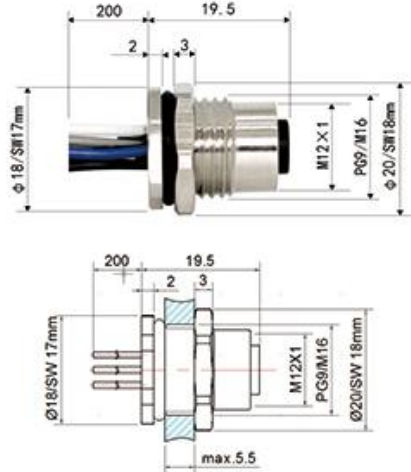
## M12 系列法兰座

M12法兰座, 孔, 正面旋紧, 焊接  
M12 female panel mount connector, front fastened, solder



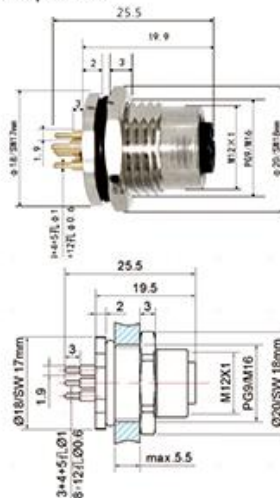
针数 contacts	螺纹规格 Fixing thread	订 货 号 ordering-number
3	PG9*1.5	1-12302-1
	M16*1.5	1-12302-2
4	PG9*1.5	2-12302-1
	M16*1.5	2-12302-2
5	PG9*1.5	3-12302-1
	M16*1.5	3-12302-2
8	PG9*1.5	4-12302-1
	M16*1.5	4-12302-2
12	PG9*1.5	5-12302-1
	M16*1.5	5-12302-2

M12法兰座, 孔, 正面旋紧, 带单线  
M12 female, panel mount connector, front fastened, with single wires



针数 contacts	螺纹规格 Fixing thread	订 货 号 ordering-number
3	PG9*1.5	1-12304-1
	M16*1.5	1-12304-2
4	PG9*1.5	2-12304-1
	M16*1.5	2-12304-2
5	PG9*1.5	3-12304-1
	M16*1.5	3-12304-2
8	PG9*1.5	4-12304-1
	M16*1.5	4-12304-2
12	PG9*1.5	5-12304-1
	M16*1.5	5-12304-2

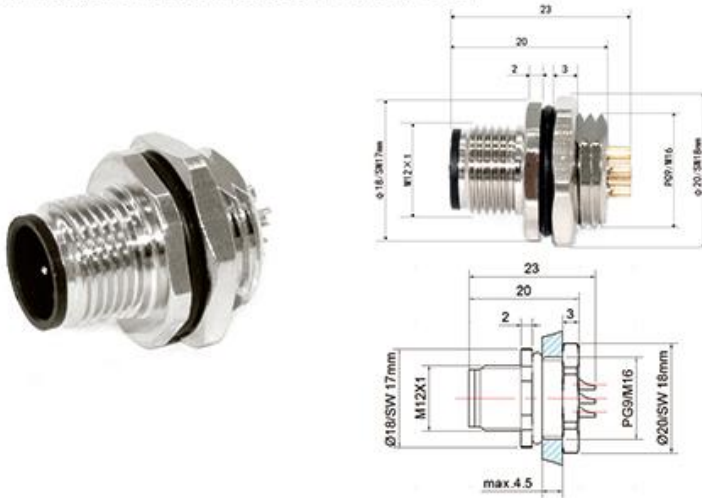
M12法兰座, 孔, 正面旋紧, 浸焊  
M12 female panel mount connector, front fastened, dip solder



针数 contacts	螺纹规格 Fixing thread	订 货 号 ordering-number
3	PG9*1.5	1-12306-1
	M16*1.5	1-12306-2
4	PG9*1.5	2-12306-1
	M16*1.5	2-12306-2
5	PG9*1.5	3-12306-1
	M16*1.5	3-12306-2
8	PG9*1.5	4-12306-1
	M16*1.5	4-12306-2
12	PG9*1.5	5-12306-1
	M16*1.5	5-12306-2

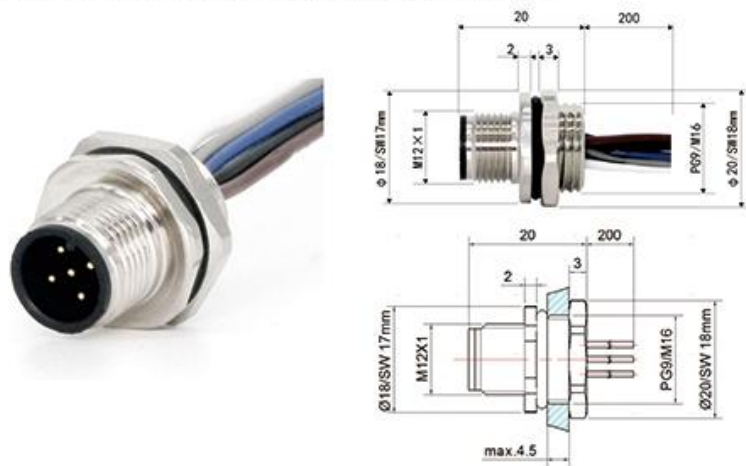
## M12 系列法兰座

M12法兰座, 针, 后安装的, 焊接  
M12 male panel mount connector, back-mounted, solder



针数 contacts	螺纹规格 Fixing tread	订 货 号 ordering-number
3	PG9*1.5	1-12307-1
	M16*1.5	1-12307-2
4	PG9*1.5	2-12307-1
	M16*1.5	2-12307-2
5	PG9*1.5	3-12307-1
	M16*1.5	3-12307-2
8	PG9*1.5	4-12307-1
	M16*1.5	4-12307-2
12	PG9*1.5	5-12307-1
	M16*1.5	5-12307-2

M12法兰座, 针, 后安装的, 带单线  
M12 male panel mount connector, back-mounted, with single wires



针数 contacts	螺纹规格 Fixing tread	订 货 号 ordering-number
3	PG9*1.5	1-12309-1
	M16*1.5	1-12309-2
4	PG9*1.5	2-12309-1
	M16*1.5	2-12309-2
5	PG9*1.5	3-12309-1
	M16*1.5	3-12309-2
8	PG9*1.5	4-12309-1
	M16*1.5	4-12309-2
12	PG9*1.5	5-12309-1
	M16*1.5	5-12309-2

M12法兰座, 孔, 后安装的, 焊接  
M12 female panel mount connector, back-mounted, solder

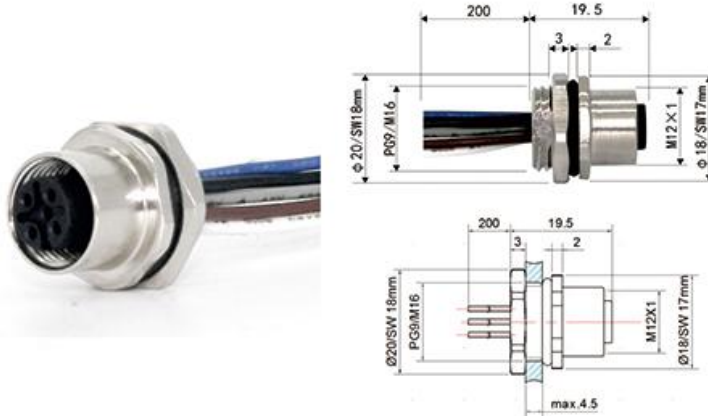


针数 contacts	螺纹规格 Fixing tread	订 货 号 ordering-number
3	PG9*1.5	1-12308-1
	M16*1.5	1-12308-2
4	PG9*1.5	2-12308-1
	M16*1.5	2-12308-2
5	PG9*1.5	3-12308-1
	M16*1.5	3-12308-2
8	PG9*1.5	4-12308-1
	M16*1.5	4-12308-2
12	PG9*1.5	5-12308-1
	M16*1.5	5-12308-2

## M12 系列法兰座

M12法兰座, 孔, 后安装的, 带单线

M12 female panel mount connector, back-mounted, with single wires



针数 contacts	螺纹规格 Fixing tread	订 货 号 ordering-number
3	PG9*1.5	1-12310-1
	M16*1.5	1-12310-2
4	PG9*1.5	2-12310-1
	M16*1.5	2-12310-2
5	PG9*1.5	3-12310-1
	M16*1.5	3-12310-2
8	PG9*1.5	4-12310-1
	M16*1.5	4-12310-2
12	PG9*1.5	5-12310-1
	M16*1.5	5-12310-2

## M12 系列法兰座技术参数

针数	3	4	5	8	12	Number of contacts
锁紧方式	螺纹式/screw					Connector locking system
接线方式	浸焊, U杯焊接, 带线/dip solder, solder, single wire					Termination
连接截面	最大0.5平方毫米/max.0.5mm <sup>2</sup>		最大0.25平方毫米/max.0.25mm <sup>2</sup>			Wire guage
电缆直径						Cable outlet
防护等级	IP68					Degree go protection
机械寿命	>100次插拔周期/ >100 mating cycles					Mechanical operation
工作温度	(-40° - 85°)					temperature range
额定电压	250V	250V <sup>(1)</sup>	125V	60V	30V	Rated voltage
额定冲击电压	2500V	2500V	1500V	800V	500V	Rated impulse voltage
污染等级	3					Pollution degree
过电保护等级	II					Overvoltage categorie
绝缘组别	II					Material group
额定电流 (40°)	4A		2A	1A		Rated current(40°)
接触电阻	<=10mΩ(金/gold)					Contact resistance
触点材料	黄铜/brass					Material of contact
触点电镀材料	金/gold					Contact plating
插座材料	尼龙/PA					Material of contact body
外壳材料	铸锌镀镍, 黄铜镀镍/Zinc diecasting nickel plated, brass nickel plated					Material of housing
锁键	A	A;B;D	A;B	A	A	coding key