
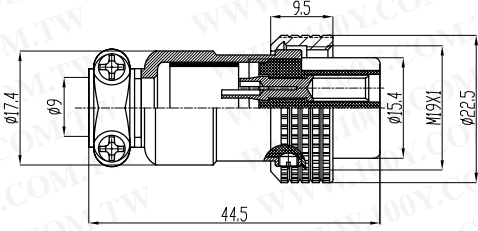

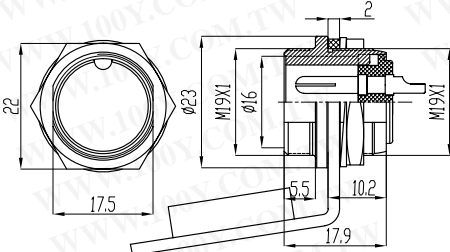

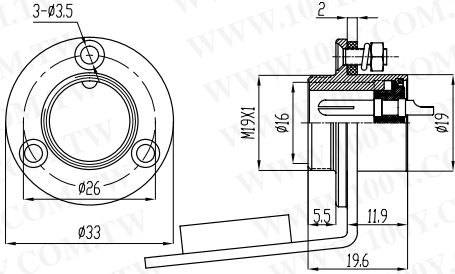

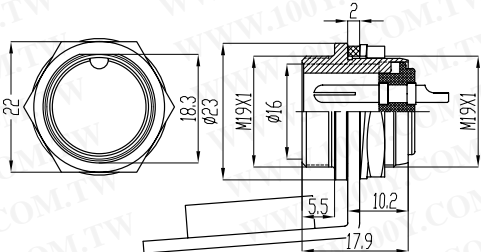

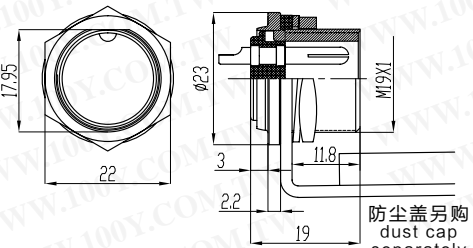

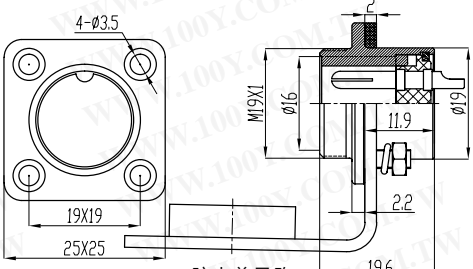

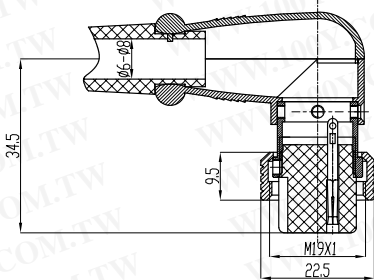



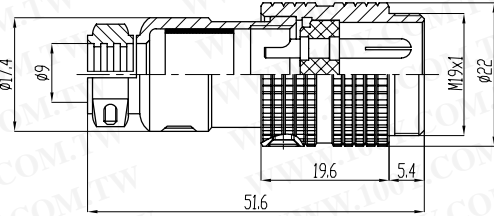

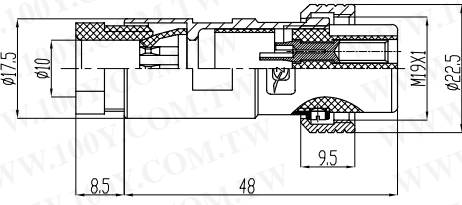

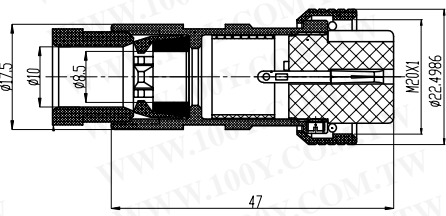

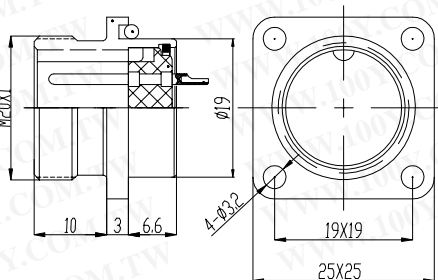


图例 Description-Figure	安装尺寸图 Drawing	芯数 Contacts	订货号 Ordering-NO
<b>直式电缆插头</b> Cable plug IP55 		2 3 4 5 6 7 8 9 10 10A 12 14 15	19M-2A 19M-3A 19M-4A 19M-5A 19M-6A 19M-7A 19M-8A 19M-9A 19M-10A 19M-10AA 19M-12A 19M-14A 19M-15A
<b>双缺口公插座</b> Double notched male socket IP55 	 <p>防尘盖另购 dust cap separately</p>	2 3 4 5 6 7 8 9 10 10A 12 14 15	19M-2B 19M-3B 19M-4B 19M-5B 19M-6B 19M-7B 19M-8B 19M-9B 19M-10B 19M-10AB 19M-12B 19M-14B 19M-15B
<b>三眼法兰插座</b> Three eyes flange socket IP55 	 <p>防尘盖另购 dust cap separately</p>	2 3 4 5 6 7 8 9 10 10A 12 14 15	19M-2E 19M-3E 19M-4E 19M-5E 19M-6E 19M-7E 19M-8E 19M-9E 19M-10E 19M-10AE 19M-12E 19M-14E 19M-15E

# 19M

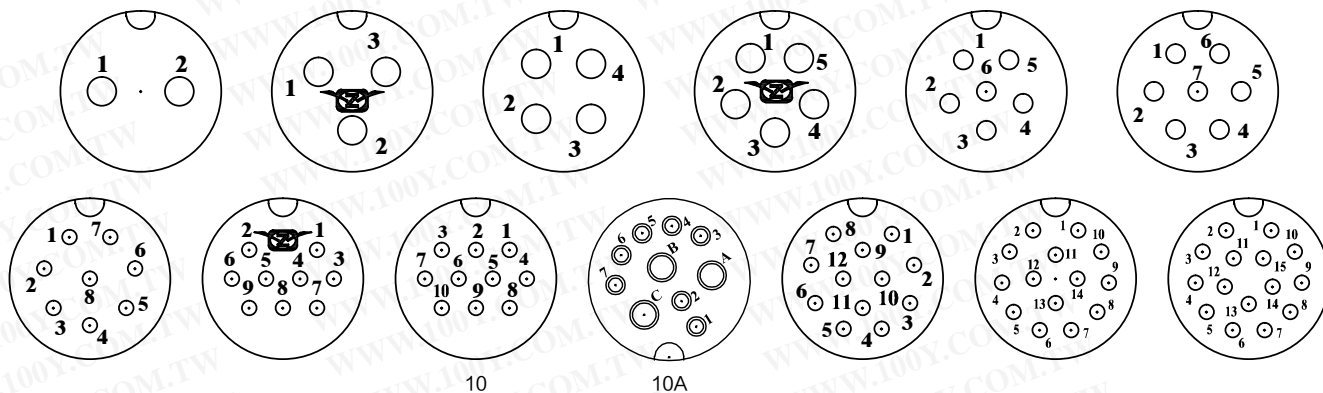
<p>图例 Description-Figure</p>	<p>安装尺寸图 Drawing</p>	<p>芯数 Contacts</p>	<p>订货号 Ordering-NO</p>
<p><b>单缺口插座</b> Single notched male socket IP55</p>  <p>配 H2 防水方形插座 Mate with H2 waterproof socket</p>	 <p>防尘盖另购 dust cap separately</p>	<p>2 3 4 5 6 7 8 9 10 10A 12 14 15</p>	<p>19M-2G 19M-3G 19M-4G 19M-5G 19M-6G 19M-7G 19M-8G 19M-9G 19M-10G 19M-10AG 19M-12G 19M-14G 19M-15G</p>
<p><b>穿墙螺纹插座</b> The male panel socket IP55</p> 	 <p>防尘盖另购 dust cap separately</p>	<p>2 3 4 5 6 7 8 9 10 10A 12 14 15</p>	<p>19M-2F 19M-3F 19M-4F 19M-5F 19M-6F 19M-7F 19M-8F 19M-9F 19M-10F 19M-10AF 19M-12F 19M-14F 19M-15F</p>
<p><b>方形插座</b> Square flange socket IP55</p> 	 <p>防尘盖另购 dust cap separately</p>	<p>2 3 4 5 6 7 8 9 10 10A 12 14 15</p>	<p>19M-2H 19M-3H 19M-4H 19M-5H 19M-6H 19M-7H 19M-8H 19M-9H 19M-10H 19M-10AH 19M-12H 19M-14H 19M-15H</p>
<p><b>90° 直角母插头</b> 90° angled female plug IP55</p> 		<p>2 3 4 5 6 7 8 9 10 10A 12 14 15</p>	<p>19M-2D 19M-3D 19M-4D 19M-5D 19M-6D 19M-7D 19M-8D 19M-9D 19M-10D 19M-10AD 19M-12D 19M-14D 19M-15D</p>



<p>图例 Description-Figure</p>	<p>安装尺寸图 Drawing</p>	<p>芯数 Contacts</p>	<p>订货号 Ordering-NO</p>
<p><b>直式电缆对接插头</b> Male cable connecting plug IP55</p> 		<p>2 3 4 5 6 7 8 9 10 10A 12 14 15</p>	<p>19M-2K 19M-3K 19M-4K 19M-5K 19M-6K 19M-7K 19M-8K 19M-9K 19M-10K 19M-10AK 19M-12K 19M-14K 19M-15K</p>
<p><b>PG9 直式电缆插头</b> PG9 cable plug IP55</p> 		<p>2 3 4 5 6 7 8 9 10 10A 12 14 15</p>	<p>19M-2A3 19M-3A3 19M-4A3 19M-5A3 19M-6A3 19M-7A3 19M-8A3 19M-9A3 19M-10A3 19M-10AA3 19M-12A3 19M-14A3 19M-15A3</p>
<p><b>PG9 防水直式电缆插头</b> PG9 waterproof cable plug</p> 		<p>2 3 4 5 6 7 8 9 10 10A 12 14 15</p>	<p>19M-2A4 19M-3A4 19M-4A4 19M-5A4 19M-6A4 19M-7A4 19M-8A4 19M-9A4 19M-10A4 19M-10AA4 19M-12A4 19M-14A4 19M-15A4</p>
<p>配 H2 防水方形插座 Mate with H2 waterproof socket</p> <p><b>防水款方形插座</b> Waterproof socket</p> 		<p>2 3 4 5 6 7 8 9 10 10A 12 14 15</p>	<p>19M-2H2 19M-3H2 19M-4H2 19M-5H2 19M-6H2 19M-7H2 19M-8H2 19M-9H2 19M-10H2 19M-10AH2 19M-12H2 19M-14H2 19M-15H2</p>

### 孔位排列 (从针的方向看)

The hole place arranges(Comply with the needle direction)



### 安装方式

Assemble way



### 材料和技术方式

Material and specifications

接插方式 Coupling	螺纹连接 Threaded coupling	接线方式 Termination	焊接 Solder
外壳材料 Shell material	锌基合金 (镀镍) Zinc alloy with nikelplate	接插次数 Mating cycle	500 次 500
绝缘体 Insert material	电木 bakelite	温度范围 Temperature range	-20℃ ~ +85℃
接触体材料 Contact material	铜 (镀银/金) copper(silverplated/gold)	电缆直径 Cable diameter	≤ φ9.5mm

### 技术参数

Technology parameter

芯数 NO.of contacts	2	3	4	5	6	7	8	9	10	10A	11	12	14	15
额定电流 / 电压 Rated current/voltage	35A -250V	35A -250V	35A -250V	35A -150V	16A -150V	16A -150V	10A -150V	10A -150V	10A -150V	10A 10A-150V 16A-200V	10A -150V	10A -150V	10A -150V	10A -150V
工作电压 (AC.V) 分钟 Operation limit voltage(AC.V.rms)	250	250	250	200	200	200	200	200	200	200	200	200	200	200
耐电压 (AC.V) 分钟 Withstanding voltage(AC.V.rms) 1 minute	1500	1500	1500	1000	1000	1000	1000	1000	1000	1000	1000	1000	1000	1000
绝缘阻抗 (MΩ) DC500V Insulation resistance(MΩ MIN.) at DC 500V	1500	1500	1500	1000	1000	1000	1000	1000	1000	1000	1000	1000	1000	1000
接触阻抗 (MΩ) DC1A Contact resistance (MΩ MAX.) AT DC 1A	3	3	3	3	3	3	3	3	3	1 3	3	3	3	3
焊杯孔径 (mm) Solder cup mouth aperture	2	2	2	1.2	0.8	0.8	0.8	0.8	0.8	0.8 1.2	0.8	0.8	0.8	0.8
接触体孔径 (mm) Solder inter diameter	2.95	2.95	2.95	2.95	2	2	1.5	1.5	1.5	1.5 2	1.5	1.5	1.5	1.5