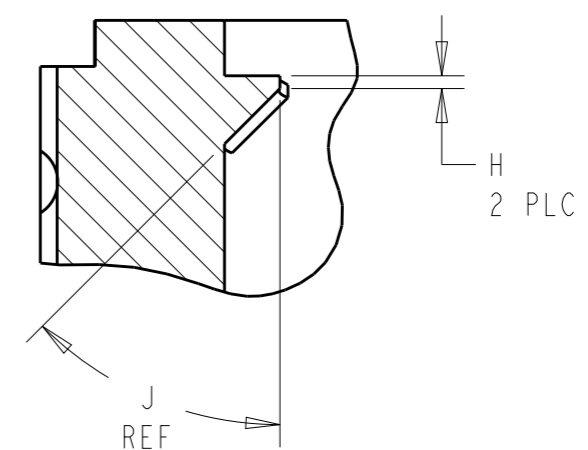
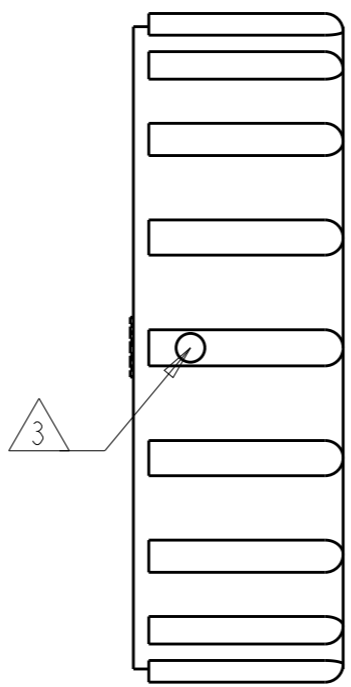
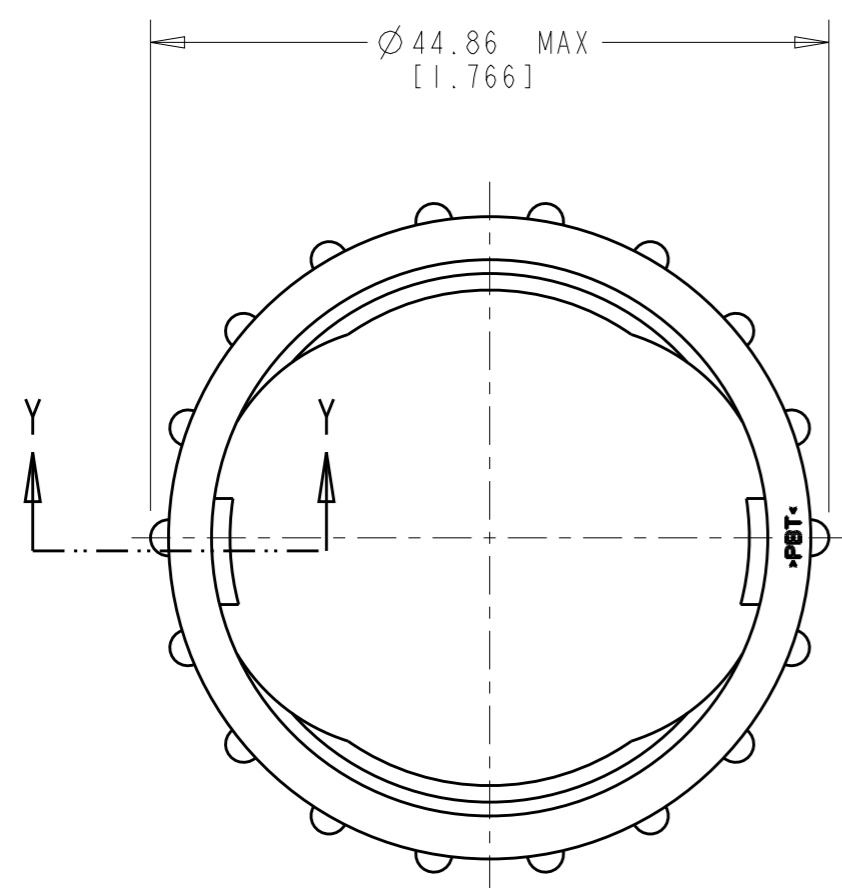


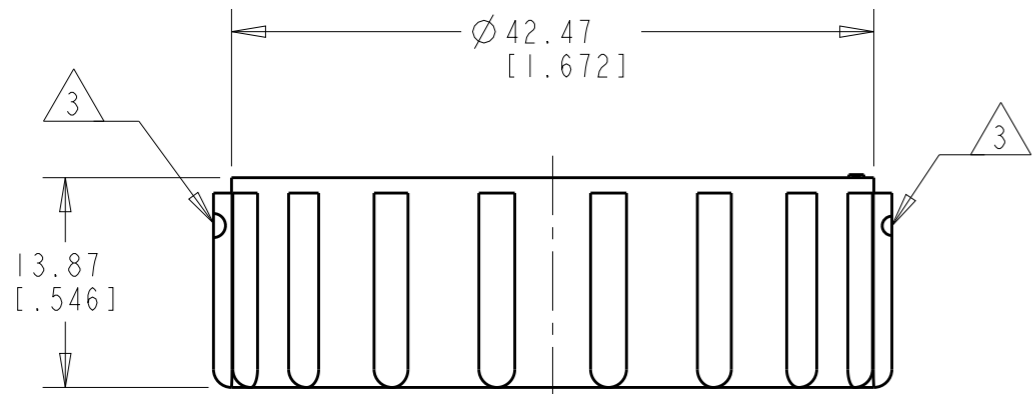
THIS DRAWING IS UNPUBLISHED. RELEASED FOR PUBLICATION
 © COPYRIGHT 19 BY - ALL RIGHTS RESERVED.

REVISIONS					
P	LTR	DESCRIPTION	DATE	DWN	APVD
C		REVISED EC 0G3B-0343-00	28JUL2000	SW	MC
D		REVISED EC 0G3B-0124-02	08AUG2003	SW	SH
E		REVISED EC 0G3B-0025-05	13JAN2005	SW	HW
F		REVISED PER ECO-17-000037	10MAR2017	RS	MZ

勝特力材料 886-3-5773766
 勝特力电子(上海) 86-21-34970699
 勝特力电子(深圳) 86-755-83298787
[Http://www.100y.com.tw](http://www.100y.com.tw)



SECTION Y-Y
SCALE 6:1



OBSOLETE	45°	0.28[.011]	①	213812-3
OBSOLETE	-	-	②	213812-2
	-	-	①	213812-1
	J	H	MATERIAL	PART NUMBER

- ① POLYESTER, BLACK.
- ② NYLON 6/6, NATURAL.
- ③ ALIGNMENT DOT INK STAMPED ON BOTH SIDES IN APPROXIMATE AREA SHOWN.

THIS DRAWING IS A CONTROLLED DOCUMENT.		DWN C. DORWART 22OCT98	TE Connectivity	
DIMENSIONS: mm [INCHES]		CHK K. DOWHOWER 22OCT98		
TOLERANCES UNLESS OTHERWISE SPECIFIED:		APVD K. DOWHOWER 22OCT98	NAME COUPLING RING, SIZE 23, CPC	
0 PLC ± 1 PLC ± 2 PLC ±0.25[.010] 3 PLC ± 4 PLC ± ANGLES ±		PRODUCT SPEC -	-	
MATERIAL SEE TABLE		APPLICATION SPEC -	-	
FINISH -		WEIGHT -	SIZE A3	CAGE CODE 00779
		CUSTOMER DRAWING	DRAWING NO C-213812	RESTRICTED TO -
			SCALE 2:1	SHEET 1 OF 1
				REV F

Mouser Electronics

Authorized Distributor

Click to View Pricing, Inventory, Delivery & Lifecycle Information:

[TE Connectivity:](#)

[213812-1](#)