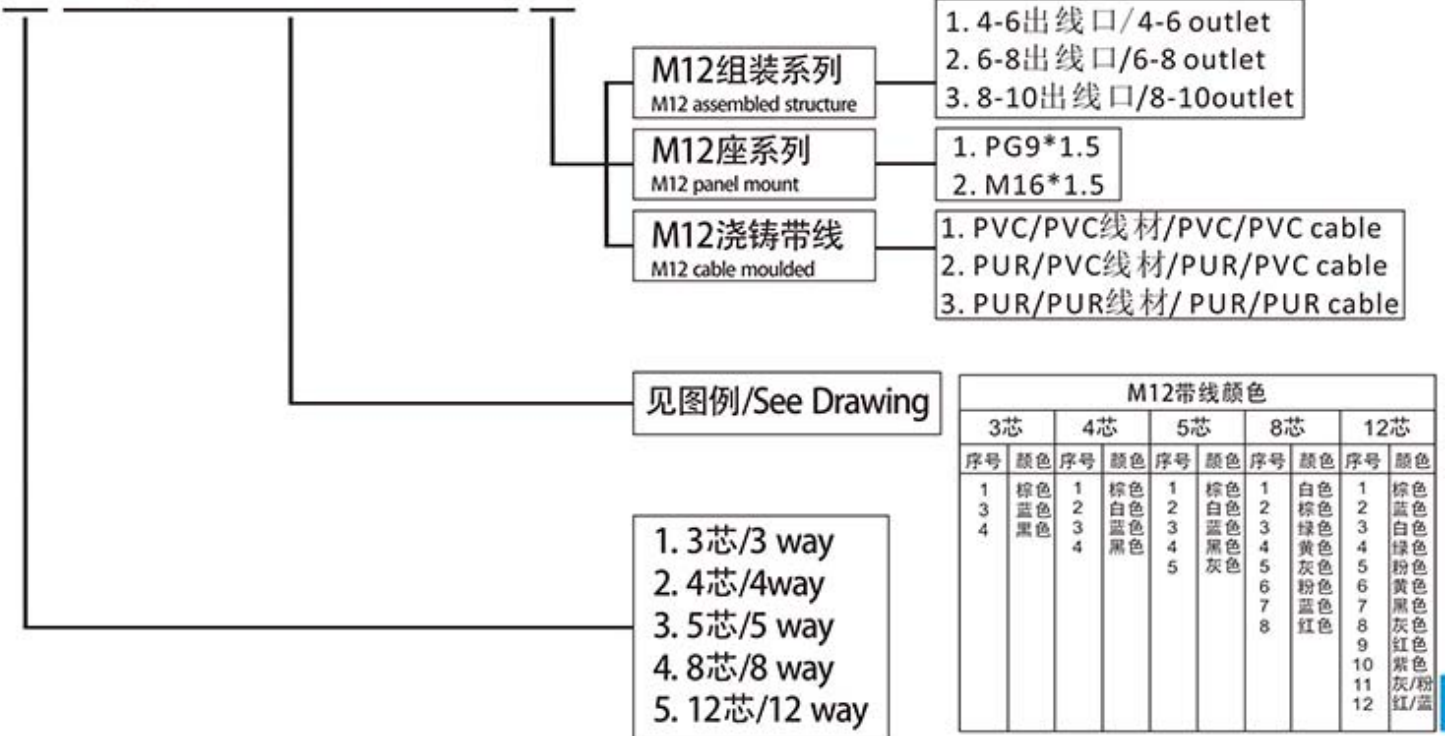


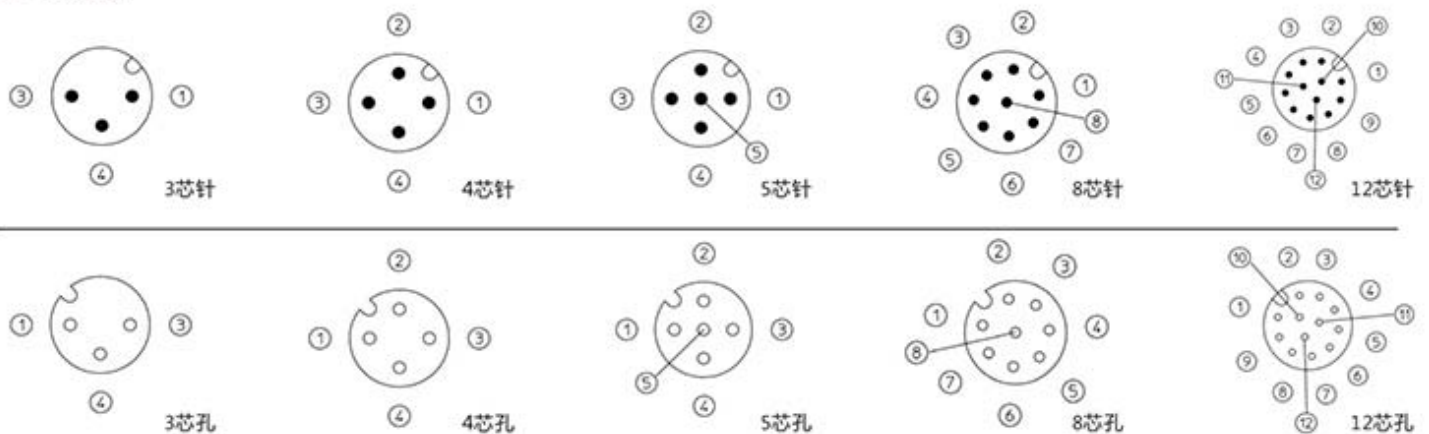
M12 系列/M12 SERIES 选型说明/Part Number selection Guide

X-主号/Main Number-X

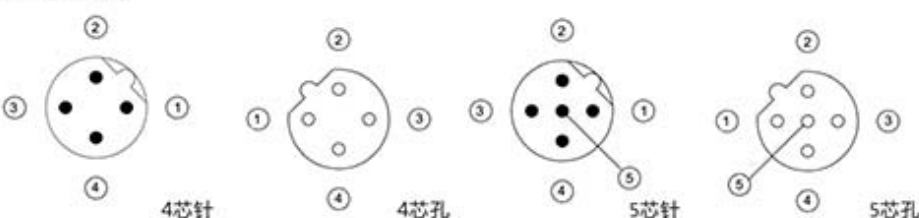


M12 系列/M12 SERIES 针孔排列/Pinhole array

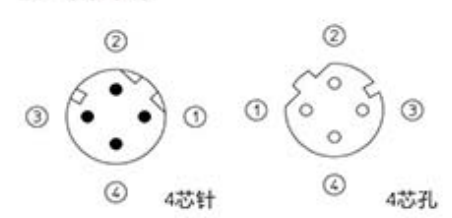
A-code



B-code



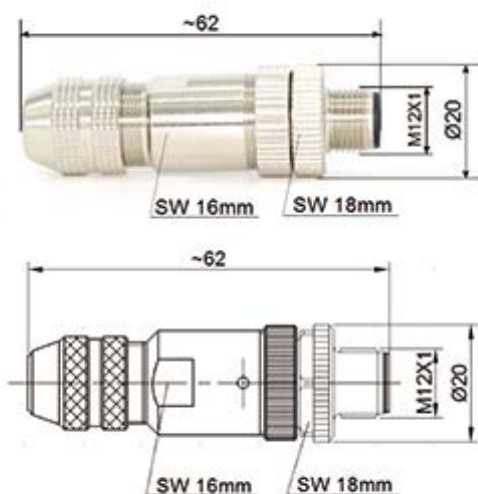
D-code



M12 系列屏蔽型

M12连接器直, 针, 带屏蔽圈, 螺钉压接, 12芯为焊接

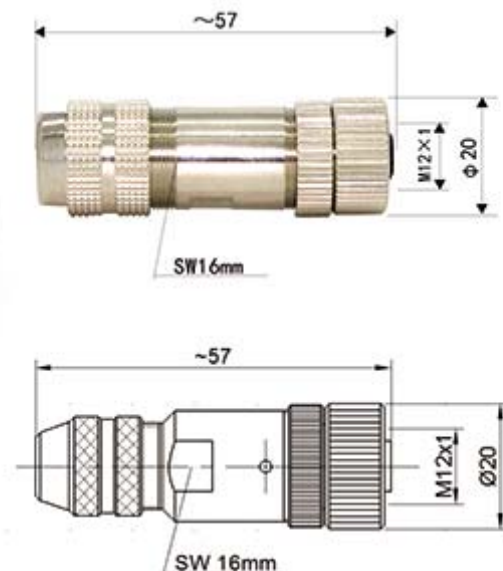
M12 male cable connector 180°, shieldable, screw termination, version with shielding ring solder termination on 12 pol



针数 contacts	电缆出线直径 cable outlet(mm)	订 货 号 ordering-number
3	4-6	1-12201-1
	6-8	1-12201-2
	8-10	1-12201-3
4	双出线	1-12201-4
	4-6	2-12201-1
	6-8	2-12201-2
5	8-10	2-12201-3
	双出线	2-12201-4
	4-6	3-12201-1
8	6-8	3-12201-2
	8-10	3-12201-3
	双出线	3-12201-4
12	4-6	4-12201-1
	6-8	4-12201-2
	8-10	4-12201-3
12	双出线	4-12201-4
	4-6	5-12201-1
	6-8	5-12201-2
12	8-10	5-12201-3
	双出线	5-12201-4

M12连接器直, 孔, 黄铜对接螺纹, 带屏蔽圈, 螺钉压接, 12芯为焊接/

M12 female cable connector 180°, brass nickel plated screw system, shieldable, screw termination, solder termination on 12 pol



针数 contacts	电缆出线直径 cable outlet(mm)	订 货 号 ordering-number
3	4-6	1-12202-1
	6-8	1-12202-2
	8-10	1-12202-3
4	双出线	1-12202-4
	4-6	2-12202-1
	6-8	2-12202-2
5	8-10	2-12202-3
	双出线	2-12202-4
	4-6	3-12202-1
8	6-8	3-12202-2
	8-10	3-12202-3
	双出线	3-12202-4
12	4-6	4-12202-1
	6-8	4-12202-2
	8-10	4-12202-3
12	双出线	4-12202-4
	4-6	5-12202-1
	6-8	5-12202-2
12	8-10	5-12202-3
	双出线	5-12202-4

M12 系列屏蔽型技术参数

针数	3	4	5	8	12	Number of contacts
锁紧方式	螺纹式/screw					Connector locking system
接线方式	螺钉压接/screw				焊接/solder	Termination
连接截面	最大 0.75 平方毫米 / max.0.75 mm ²		最大 0.5 平方毫米 / max.0.5 mm ²	最大 0.25 平方毫米 / max.0.25 mm ²		Wire gauge
电缆直径	4-6;6-8;8-10					Cable outlet
防护等级	IP67					Degree go protection
机械寿命	>100次插拔周期 / >100 mating cycles					Mechanical operation
工作温度	(-40° - 85°)					temperature range
额定电压	250V	250V ¹⁾	125V	60V	30V	Rated voltage
额定冲击电压	2500V	2500V	1500V	800V	500V	Rated impulse voltage
污染等级	3					Pollution degree
过电保护等级	II					Overvoltage categorie
绝缘组别	II					Material group
额定电流 (40°)	4A		2A		1A	Rated current(40°)
接触电阻	<=10mΩ (金/gold)					Contact resistance
触点材料	黄铜/brass					Material of contact
触点电镀材料	金/gold					Contact plating
插座材料	尼龙/PA					Material of contact body
外壳材料	铸锌镀锌, 黄铜镀锌/Zinc diecasting nickel plated,brass nickel plated					Material of housing
锁键	A	A;B;D	A;B	A	A	coding key