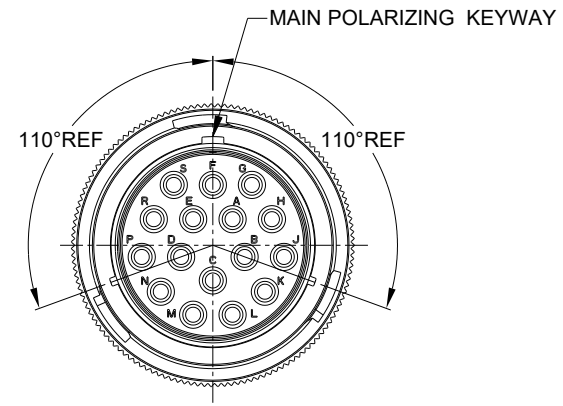
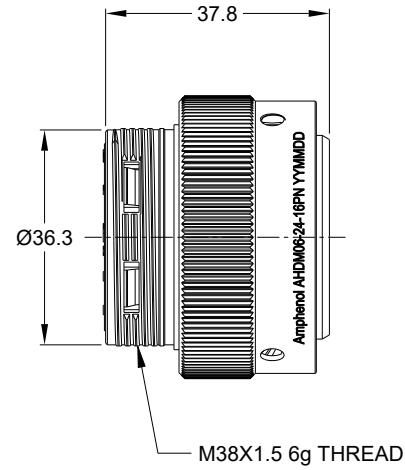
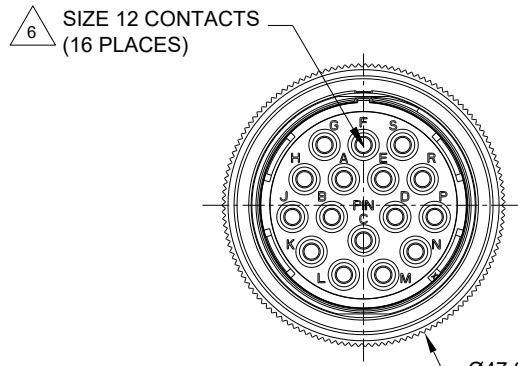


勝特力電材超市-龍山店 886-3-5773766  
 勝特力電材超市-光復店 886-3-5729570  
 勝特力电子(上海) 86-21-34970699  
 勝特力电子(深圳) 86-755-83298787  
<http://www.100y.com.tw>

REVISIONS					
REV	ECO	DESCRIPTION	DATE	BY	APPR
A1	--	RELEASE NEW DRAWING	26AUG20	SULLEN	TOMMY



NOTES: UNLESS OTHERWISE SPECIFIED

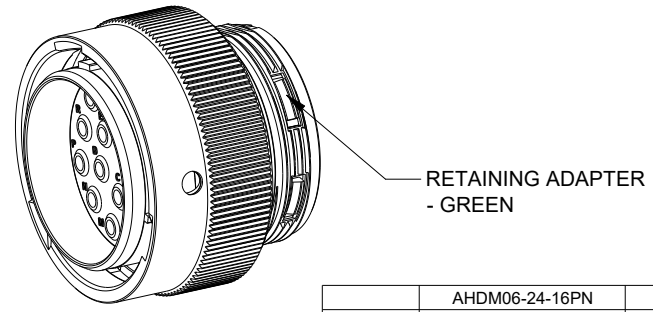
- MATERIAL:  
 SHELL: ZINC ALLOY, NICKEL PLATED  
 COUPLING RING: ALUMINUM ALLOY, NICKEL PLATED  
 INSERT AND RETAINING RING: THERMOPLASTIC  
 SEAL: SILICONE RUBBER
- MODIFICATIONS: THREADED ADAPTER;  
 NORMAL DIA. WIRE SEAL.
- SPECIFICATIONS:  
 3.1 OPERATING TEMPERATURE: -55°C TO +125°C.  
 3.2 DIELECTRIC WITHSTANDING VOLTAGE: LESS THAN 2 MILLIAMPS CURRENT LEAKAGE @ 1500 VOLTS AC.  
 3.3 INSULATION RESISTANCE: 1000 MEGOHM MIN @ 25°C.  
 3.4 MOISTURE RESISTANCE: IP67&IP69K ( MATED CONDITION ).  
 3.5 MATING CYCLE DURABILITY: 100 CYCLES  
 3.6 RoHS COMPLIANT

4. MATING PART: AHDM04-24-16S\* (\* = SEAL TYPE)

5. ALL DIMENSIONS ARE FOR REFERENCE USE ONLY.

6. CONTACT SIZE AND WIRE RANGE:

CONTACT SIZE	MIN. INSUL O.D.	MAX. INSUL O.D.	TYPICAL WIRE RANGE	CURRENT RATING
12	3.40 mm (.134 in)	4.32 mm (.170 in)	10-14 AWG (6.0-2.0mm <sup>2</sup> )	25 AMPS



AHDM06-24-16PN		REF:HD36-24-16PN	
PART NUMBER			DESCRIPTION
QUANTITY	MATERIALS LIST		
UNLESS OTHERWISE SPECIFIED			
1) All dimensions are in metric(mm).			
2) Tolerances are as follows:			
1 PL DEC ±0.30			
2 PL DEC ±0.15			
3 PL DEC ±0.08			
3) Note reference =			
SIGNATURES		DATE	
DRAWN: SULLENZHANG		26AUG20	
CHECKED: ORIONLI		27AUG20	
ENGINEER:			
APPROVAL: TOMMYXIE		28AUG20	
MATERIAL SPECIFICATIONS:		CUSTOMER:	
PROCESS SPECIFICATIONS:		THIS DRAWING IS SUPPLIED FOR INFORMATION ONLY. DESIGN FEATURES, SPECIFICATIONS AND PERFORMANCE DATA SHOWN HEREON ARE THE PROPERTY OF THE AMPHENOL CORPORATION. NO RIGHTS OF REPRODUCTION ARE IMPLIED. ALL DIMENSIONS ARE SUBJECT TO NORMAL MANUFACTURING VARIATIONS.	
NEXT ASSY:		SCALE: NONE	
Sine Systems - www.amphenol-sine.com 44724 Morley Drive Clinton Township, MI 48036			<b>Amphenol</b> PLUG,24 SZ,16 PIN,REVERSER ARRANGEMENT,NORMAL SEAL,AHDM SERIES
SIZE	TYPE	DWG NO.	
B	C-	AHDM06-24-16PN	
REVISION			A1
SHEET 1 OF 1			

TITLE: PLUG,24 SZ,16 PIN,REVERSER ARRANGEMENT,NORMAL SEAL,AHDM SERIES  
 DWG NO: AHDM06-24-16PN  
 REV: A1  
 SH: 1  
 OF: 1

# ATP Series™ - Contact Size 12 Options

Machined Contacts, Sockets & Pins				
Part Number	Description	Size	AWG	Type
AT60-204-12141-10	Male Contact - Pin, Nickel-plated	12	10-12	Machined
AT62-203-12141-10	Female Contact - Socket, Nickel-plated	12	10-12	Machined
AT60-220-1231	Male Contact - Pin, Gold-plated	12	12-14	Machined
AT62-210-1231	Female Contact - Socket, Gold-plated	12	12-14	Machined
AT60-204-12141	Male Contact - Pin, Nickel-plated	12	12-14	Machined
AT62-203-12141	Female Contact - Socket, Nickel-plated	12	12-14	Machined

DiagnosticGrade™ Machined Contacts, Sockets & Pins				
• Smaller AWG for Diagnostic Applications • Gold-plated • Increased Mating Cycles • Cost-effective				
Part Number	Description	Size	AWG	Type
65-54749	Male Contact - DiagnosticGrade™, Pin, Gold-plated	12	20	Machined
AT62-210-1231-1820	Female Contact - DiagnosticGrade™, Socket, Gold-plated	12	20	Machined

Tooling - Machined Contacts		
Part	Part Number	Description
	CA-5D12	Universal Hand Crimp Tool, Size 12/16/20 (Machined contacts only)
	CA-5E12	Pneumatic Crimp Tool, Size 12/16/20 (Machined contacts only)

Contact Removal Tools		
Part	Part Number	Description
	ATRT-100	Used for removal of contacts for A Series™ products
	AT11-337-1205	Contact Removal Tool, Plastic, Size 12
	A114017	Sealing Plug, Size 12, White

Stamped & Formed Contacts, Sockets & Pins				
Part Number	Description	Size	AWG	Type
AT60-12-0244	Male Contact - Pin, Gold-plated	12	10-12	Stamped & Formed
AT62-12-0244	Female Contact - Socket, Gold-plated	12	10-12	Stamped & Formed
AT60-12-0222	Male Contact - Pin, Nickel-plated	12	10-12	Stamped & Formed
AT62-12-0222	Female Contact - Socket, Nickel-plated	12	10-12	Stamped & Formed
AT60-12-0144	Male Contact - Pin, Gold-plated	12	12-14	Stamped & Formed
AT62-12-0144	Female Contact - Socket, Gold-plated	12	12-14	Stamped & Formed
AT60-12-0166	Male Contact - Pin, Nickel-plated	12	12-14	Stamped & Formed
AT62-12-0166	Female Contact - Socket, Nickel-plated	12	12-14	Stamped & Formed

Tooling - Stamped & Formed Contacts		
Part	Part Number	Description
	MXF-3973	Crimp Die - Size 12 (S&F contacts only)
	MXF-3985	Crimp Die - Size 12 (S&F contacts only) 10-12AWG -02XX Series
	ATT-12-00	Hand Crimp Tool - Size 12, 12AWG (S&F contacts only)

**Amphenol Sine Systems**  
 44724 Morley Drive  
 Clinton Township, MI 48036 USA  
[www.amphenol-sine.com](http://www.amphenol-sine.com)  
 09/2021