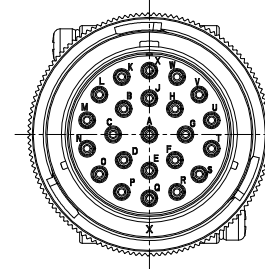
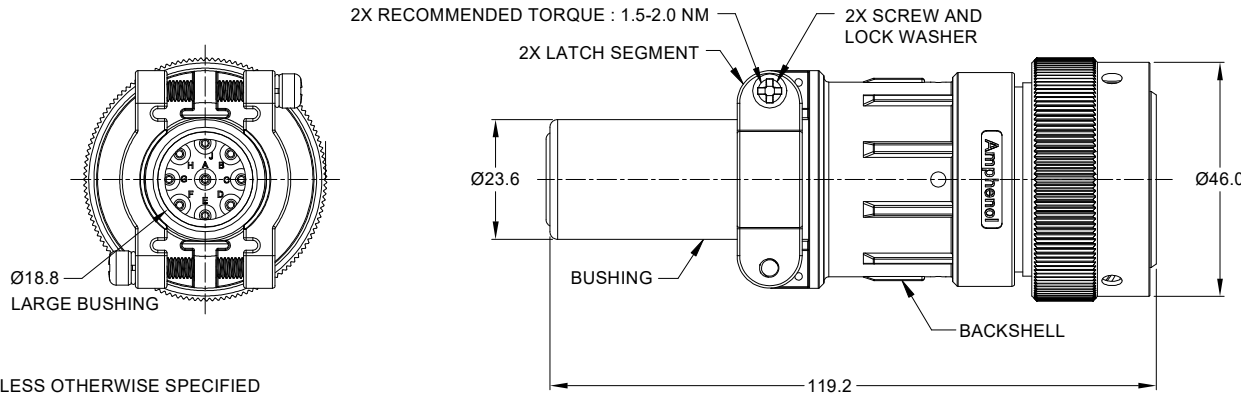


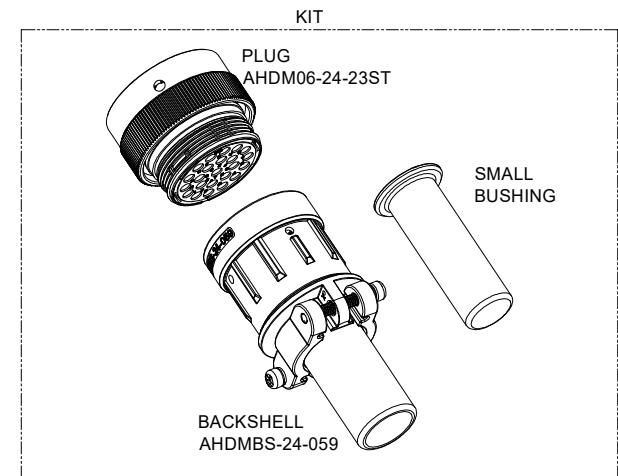
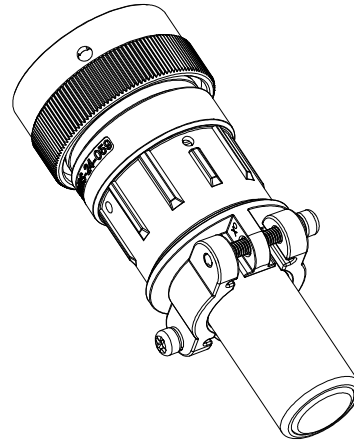
勝特力電材超市-龍山店 886-3-5773766  
 勝特力電材超市-光復店 886-3-5729570  
 勝特力电子(上海) 86-21-34970699  
 勝特力电子(深圳) 86-755-83298787  
<http://www.100y.com.tw>

REVISIONS					
REV	ECO	DESCRIPTION	DATE	BY	APPR
A1	-	RELEASE NEW DRAWING	01/MAR/23	MILO	TOMMY



NOTES: UNLESS OTHERWISE SPECIFIED

- PLUG MATERIAL:  
 SHELL: ZINC ALLOY, NICKEL PLATED  
 COUPLING RING: ALUMINIUM ALLOY, ANODIZE  
 INSERT AND RETAINING RING: THERMOPLASTIC  
 SEAL: SILICONE RUBBER
- BACKSHELL MATERIAL:  
 SHELL: ALUMINIUM ALLOY, NICKEL PLATED;  
 LATCH SEGMENT: ALUMINIUM ALLOY, NICKEL PLATED;  
 SCREW AND LOCK WASHER: STAINLESS STEEL;  
 BUSHING: EPDM.
- SPECIFICATIONS:  
 3.1 OPERATING TEMPERATURE: -55°C TO +125°C.  
 3.2 DIELECTRIC WITHSTANDING VOLTAGE: LESS THAN 2 MILLIAMPS CURRENT LEAKAGE @ 1500 VOLTS AC.  
 3.3 INSULATION RESISTANCE: 1000 MEGOHM MIN @ 25°C.  
 3.4 MOISTURE RESISTANCE:  
 IP68(IM OF WATER FOR A PERIOD OF 24 HOURS,MATED CONDITION);  
 IP69K(MATED CONDITION).  
 3.5 MATING CYCLE DURABILITY: 100 CYCLES  
 3.6 RoHS COMPLIANT
- APPLY TO CABLE OD SIZE: Ø11.20-Ø24.08 . CAN BE USED:  
 4.1 WITH LARGE AND SMALL BUSHINGS IN PLACE.  
 4.2 WITH ONLY LARGE BUSHING IN PLACE.  
 4.3 WITH BOTH BUSHINGS REMOVED.
- ALL DIMENSIONS ARE FOR REFERENCE USE ONLY.
- SEE SPECIFIC PLUG DRAWING FOR:  
 6.1 CONTACT SIZE AND WIRE RANGE.  
 6.2 RETAINING RING COLOR.  
 6.3 MATING PART(S).  
 6.4 CONTACT LAYOUT AND ALL OTHER SPECIFICATIONS.



AHADM06-24-23ST-059		REF:HD36-24-23ST-059	
QUANTITY	PART NUMBER	DESCRIPTION	ITEM
<b>MATERIALS LIST</b>			
UNLESS OTHERWISE SPECIFIED 1) All dimensions are in metric(mm). 2) Tolerances are as follows: 1 PL DEC ±0.30 2 PL DEC ±0.15 3 PL DEC ±0.08 Fractions ±1/64 Angles ±1° 3) Note reference =		SIGNATURES      DATE DRAWN: MILO.DONG      01/MAR/23 CHECKED: SULLENZHANG      01/MAR/23 ENGINEER: APPROVAL: TOMMY.XIE      02/MAR/23 CUSTOMER:	
MATERIAL SPECIFICATIONS: WEIGHT: 160.8g		 Sine Systems - www.amphenol-sine.com 44724 Morley Drive Clinton Township, MI 48036	
PROCESS SPECIFICATIONS: NEXT ASSY:		THIS DRAWING IS SUPPLIED FOR INFORMATION ONLY. DESIGN FEATURES, SPECIFICATIONS AND PERFORMANCE DATA SHOWN HEREON ARE THE PROPERTY OF THE AMPHENOL CORPORATION. NO RIGHTS OF REPRODUCTION ARE IMPLIED. ALL DIMENSIONS ARE SUBJECT TO NORMAL MANUFACTURING VARIATIONS.	
		SIZE: B C- SCALE: NONE	DWG NO: AHDM06-24-23ST-059 REVISION: A1 DURAMATE SHEET 1 OF 1

TITLE: 23POS,PLUG, SOCKET,SZ24,THIN WIRE SEAL,KIT W/ CABLE CLAMP BACKSHELL  
 DWG NO.: AHDM06-24-23ST-059  
 REV: A1  
 SH: 1  
 OF: 1