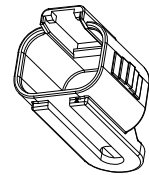
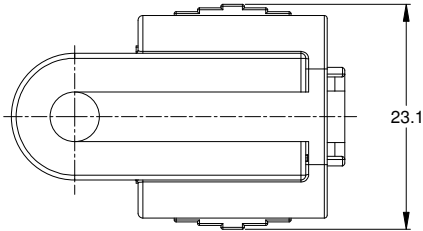
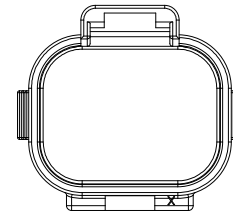
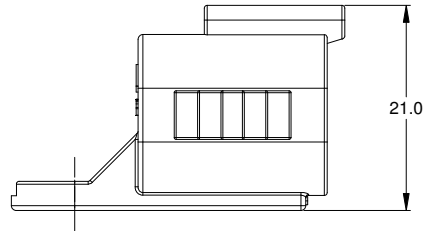
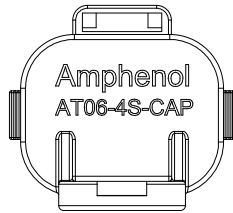
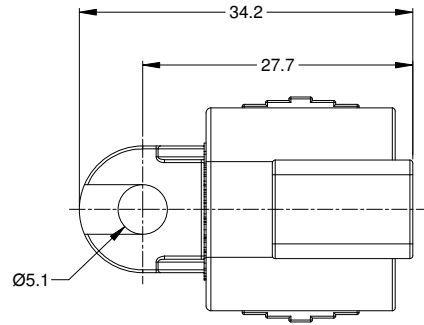


勝特力電材超市-龍山店 886-3-5773766  
 勝特力電材超市-光復店 886-3-5729570  
 勝特力电子(上海) 86-21-34970699  
 勝特力电子(深圳) 86-755-83298787  
<http://www.100y.com.tw>



NOTES: UNLESS OTHERWISE SPECIFIED

1. MATERIAL: THERMOPLASTIC, COLOR: BLACK
2. RoHS COMPLIANT
3. MOISTURE RESISTANCE: IP67 MATED CONDITION
4. TEMPERATURE RANGE: -55C~125C
5. USE WITH CONNECTORS AT06-4S\*  
(\* = MODIFICATIONS AND/OR COLORS)
6. ALL DIMENSIONS ARE FOR REFERENCE USE ONLY.

REVISIONS					
REV	ECO	DESCRIPTION	DATE	BY	APPR
A1	-	RELEASE	23JUN15	JAH	

TITLE: PROTECTIVE CAP, 4 POSITION, AT-SERIES  
 DWG NO.: AT06-4S-CAP  
 REV: A1  
 SH: 1  
 OF: 1

AT06-4S-CAP		DESCRIPTION		ITEM
QUANTITY	PART NUMBER	MATERIALS LIST		
UNLESS OTHERWISE SPECIFIED		SIGNATURES	DATE	<p style="text-align: center;"><b>Amphenol</b></p> <p style="text-align: center;">Sine Systems - <a href="http://www.amphenol-sine.com">www.amphenol-sine.com</a>            44724 Morley Drive            Clinton Township, MI 48036</p> <p style="text-align: center;">PROTECTIVE CAP, 4 POSITION, AT-SERIES</p>
1) All dimensions are in metric(mm).		DRAWN: J. HEAD	23JUN2015	
2) Tolerances are as follows:		CHECKED:		
1 PL DEC ±0.30    Fractions ±1/64 2 PL DEC ±0.15    Angles ±1° 3 PL DEC ±0.08		ENGINEER:		
3) Note reference =		APPROVAL:		
MATERIAL SPECIFICATIONS:		CUSTOMER:		
PROCESS SPECIFICATIONS:		THIS DRAWING IS SUPPLIED FOR INFORMATION ONLY. DESIGN FEATURES, SPECIFICATIONS AND PERFORMANCE DATA SHOWN HEREON ARE THE PROPERTY OF THE AMPHENOL CORPORATION. NO RIGHTS OF REPRODUCTION ARE IMPLIED. ALL DIMENSIONS ARE SUBJECT TO NORMAL MANUFACTURING VARIATIONS.		SCALE: <b>B C-</b> NONE
NEXT ASSY:		DWG NO.: <b>AT06-4S-CAP</b>		REVISION: <b>A1</b>
				SHEET 1 OF 1