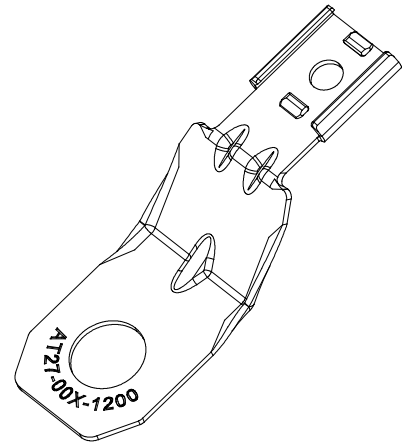


REVISIONS					
REV	ECO	DESCRIPTION	DATE	BY	APPR
A1	-	RELEASE NEW DRAWING	22/MAR/19	ROOKIE	TOMMY



勝特力電材超市-龍山店 886-3-5773766
 勝特力電材超市-光復店 886-3-5729570
 勝特力電子(上海) 86-21-34970699
 勝特力電子(深圳) 86-755-83298787
<http://www.100y.com.tw>

NOTES: UNLESS OTHERWISE SPECIFIED

1. USE WITH CONNECTORS
 - A. AT04-2/3/4/6/12P*
 - B. ATM04-2/3/4/6/8/12P*
 - C. ATP04-2/4P*
 - D. ATV04.*
 - E. ATHD04.*
- (* = MODIFICATIONS AND/OR COLORS)

2. RoHS COMPLIANT

3. ALL DIMENSIONS ARE FOR REFERENCE USE ONLY.

△ PART INFORMATION:

PART NUMBER	MATERIAL	HOLE DIAMETER
AT27-003-1200	STAINLESS STEEL	11mm
AT27-004-1200	STEEL-ZINC PLATED	13mm
AT27-005-1200	STAINLESS STEEL	13mm

SEE TABLE		REF: 1027-003-1200, 1027-004-1200, 1027-005-1200	
QUANTITY	PART NUMBER	DESCRIPTION	ITEM
MATERIALS LIST			
UNLESS OTHERWISE SPECIFIED: 1) All dimensions are in metric(mm). 2) Tolerances are as follows: 1 PL DEC ±0.30 Fractions ±1/64 2 PL DEC ±0.15 Angles ±1° 3 PL DEC ±0.08 3) Note reference = △		SIGNATURES	DATE
DRAWN: ROOKIE			22/MAR/19
CHECKED: ORION			22/MAR/19
ENGINEER:			
APPROVAL: TOMMY			22/MAR/19
MATERIAL SPECIFICATIONS:		CUSTOMER:	
PROCESS SPECIFICATIONS:		THIS DRAWING IS SUPPLIED FOR INFORMATION ONLY. DESIGN FEATURES, SPECIFICATIONS AND PERFORMANCE DATA SHOWN HEREON ARE THE PROPERTY OF THE AMPHENOL CORPORATION. NO RIGHTS OF REPRODUCTION ARE IMPLIED. ALL DIMENSIONS ARE SUBJECT TO NORMAL MANUFACTURING VARIATIONS.	
NEXT ASSY:		SIZE: B	FSCM NO. DWG NO: AT27-00X-1200
		SCALE: NONE	REVISION: A1
		SHEET 1	OF 1

TITLE: MOUNTING CLIP, A1, METAL
 DWG NO: AT27-00X-1200
 REV: A1
 SH: 1
 OF: 1