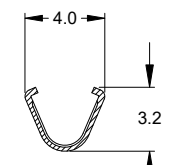
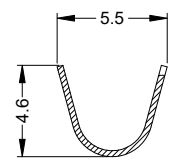
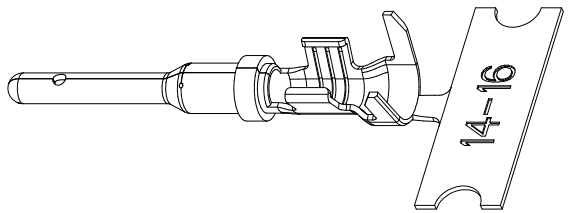
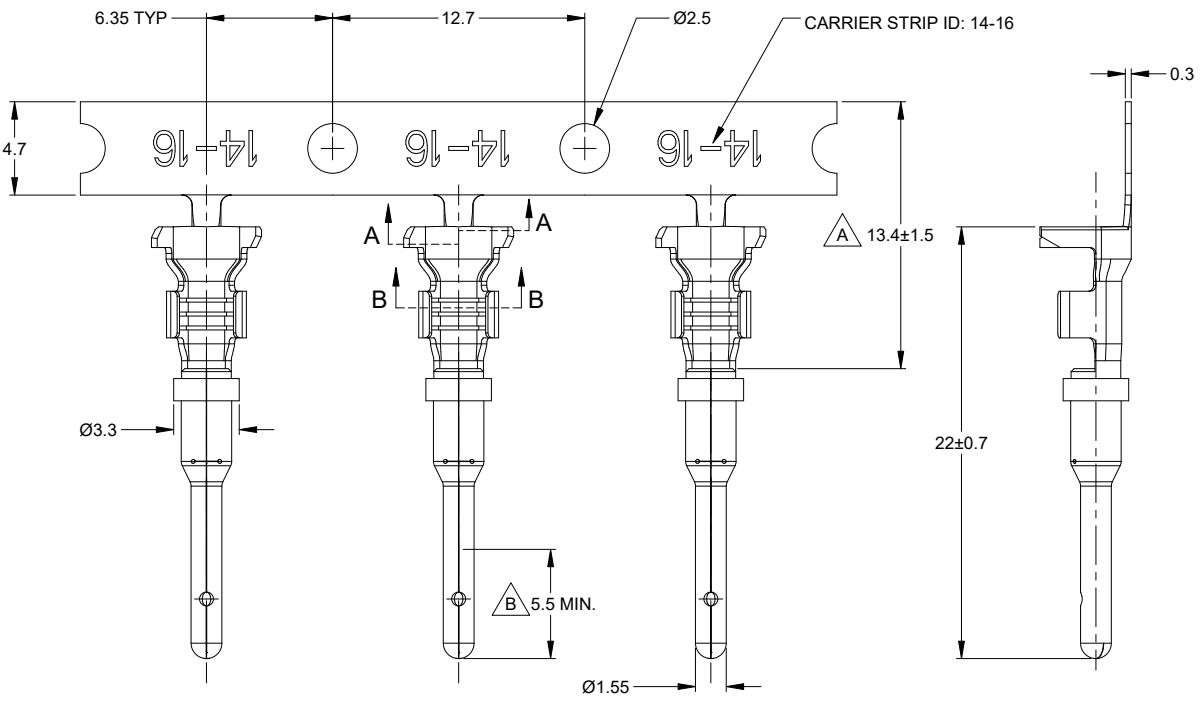
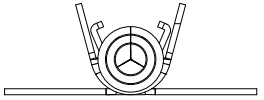


REVISIONS					
REV	ECO	DESCRIPTION	DATE	BY	APPR
A3	--	RELEASE NEW DWG FORMAT	21OCT13	DRP	-
A4	C1070S	UPDATE DRAWING	21/JUN/19	JOE	TOMMY
A5	C1298S	UPDATE PLATING	14/SEP/20	SULLEN	TOMMY
A6	-	14-18AWG WAS 14-16AWG	18AUG23	JHEAD	DH



NOTES: UNLESS OTHERWISE SPECIFIED

- MATERIAL: COPPER ALLOY
- PLATING: SEE PART NUMBER CHART
- CONTACT SIZE: 16
- SPECIFICATIONS:
 - CURRENT RATING: 13 AMPS
 - CONTACT MILLIVOLT DROP: 100 MILLIVOLT DROP @ 13 AMP TEST CURRENT.
 - RoHS COMPLIANT
- RECOMMENDED WIRE RANGE: 14 - 18 AWG (2.0 - 0.75mm²)
RECOMMENDED INSUL O.D: 2.40 - 3.81MM (0.094 - 0.15INCH)
- PACKAGE: 4000 PCS/REEL
- AVAILABLE APPLICATORS: MFX-3975-K OR MFX-3975-G
- ALL DIMENSIONS ARE FOR REFERENCE USE ONLY



勝特力電材超市-龍山店 886-3-5773766
 勝特力電材超市-光復店 886-3-5729570
 勝特力电子(上海) 86-21-34970699
 勝特力电子(深圳) 86-755-83298787
<http://www.100y.com.tw>

PART NUMBER CHART		
PLATING	PART NUMBER	PLATING DESCRIPTION
NICKEL	AT60-14-0122	SELECTIVE TIN OVER NICKEL OVERALL IN <u>A</u> ZONE
GOLD	AT60-14-0144	SELECTIVE GOLD FLASH OVER NICKEL OVERALL IN <u>B</u> ZONE OR ENTIRE CONTACT
TIN	AT60-14-0177	TIN OVER NICKEL OVERALL

SEE PART NUMBER CHART		REF: 1060-14-0144, 1060-14-0122									
PART NUMBER		DESCRIPTION									
QUANTITY	MATERIALS LIST										
UNLESS OTHERWISE SPECIFIED 1) All dimensions are in metric(mm). 2) Tolerances are as follows: 1 PL DEC ±0.30 Fractions ±1/64 2 PL DEC ±0.15 Angles ±1° 3 PL DEC ±0.08	SIGNATURES	DATE	<h2 style="text-align: center;">Amphenol</h2> <p style="text-align: center;">Sine Systems - www.amphenol-sine.com 44724 Morley Drive Clinton Township, MI 48036</p> <p style="text-align: center;">CONTACT, PIN, STAMPED, SIZE 16, 14-18 AWG, A SERIES</p>								
DRAWN: SULLENZHANG	14/SEP/20	CHECKED: ORIONLI									
ENGINEER:		APPROVAL: TOMMY.XIE									
CUSTOMER:	16/SEP/20										
MATERIAL SPECIFICATIONS:	THIS DRAWING IS SUPPLIED FOR INFORMATION ONLY. DESIGN FEATURES, SPECIFICATIONS AND PERFORMANCE DATA SHOWN HEREON ARE THE PROPERTY OF THE AMPHENOL CORPORATION. NO RIGHTS OF REPRODUCTION ARE IMPLIED. ALL DIMENSIONS ARE SUBJECT TO NORMAL MANUFACTURING VARIATIONS.		<table border="1"> <tr> <td>SIZE</td> <td>TYPE</td> <td>DWG NO.</td> <td>REVISION</td> </tr> <tr> <td>B</td> <td>C-</td> <td>AT60-14-01XX</td> <td>A6</td> </tr> </table>	SIZE	TYPE	DWG NO.	REVISION	B	C-	AT60-14-01XX	A6
SIZE	TYPE	DWG NO.	REVISION								
B	C-	AT60-14-01XX	A6								
PROCESS SPECIFICATIONS:	NEXT ASSY:		<table border="1"> <tr> <td>SCALE</td> <td>SHEET</td> <td>OF</td> </tr> <tr> <td>NONE</td> <td>1</td> <td>1</td> </tr> </table>	SCALE	SHEET	OF	NONE	1	1		
SCALE	SHEET	OF									
NONE	1	1									

TITLE: PIN, STAMPED, SIZE 16, 14-18AWG, A SERIES
 DWG NO.: AT60-14-01XX
 REV: A6
 SH: 1
 OF: 1