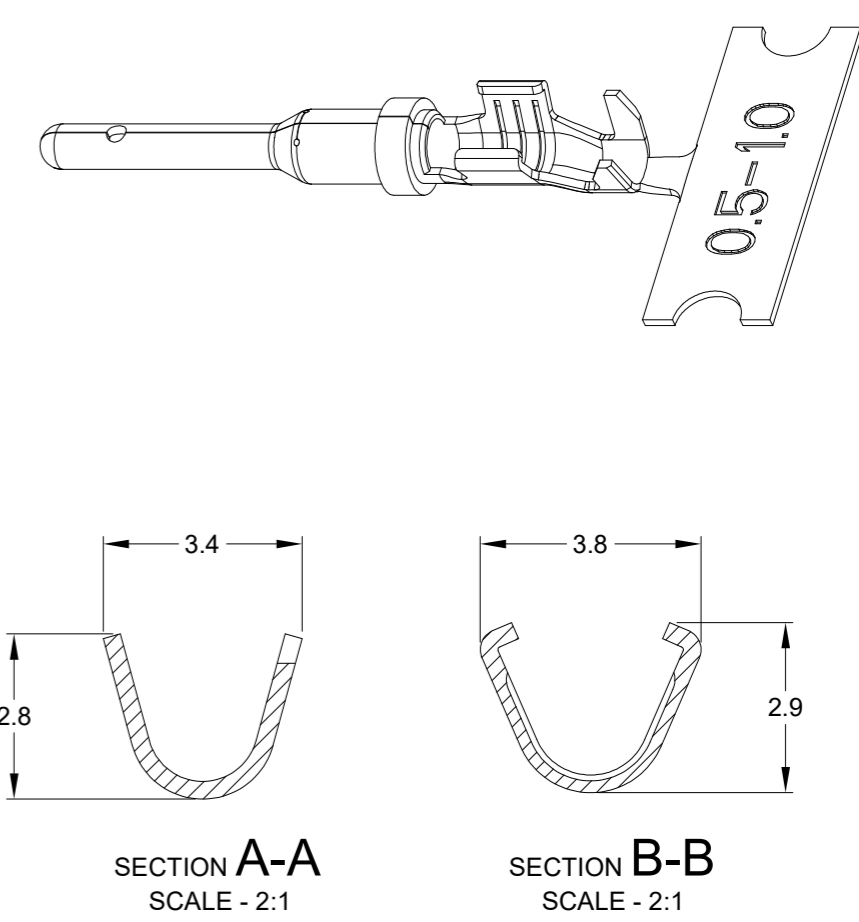
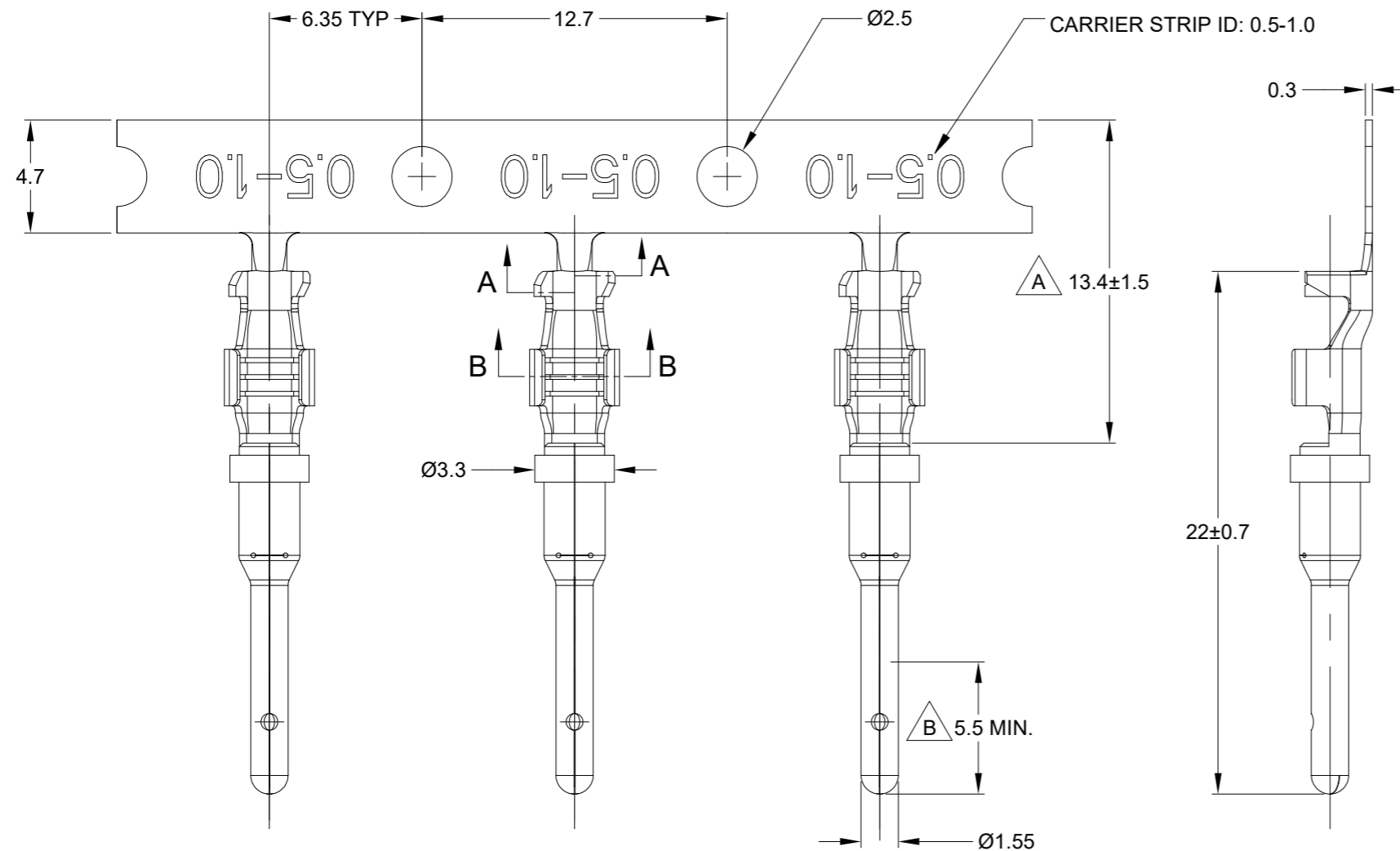
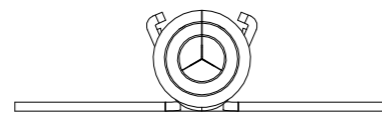


| REVISIONS | | | | | |
|-----------|--------|------------------------|-----------|--------|-------|
| REV | ECO | DESCRIPTION | DATE | BY | APPR |
| A3 | -- | RELEASE NEW DWG FORMAT | 21OCT13 | DRP | - |
| A4 | C1070S | UPDATE DRAWING | 21/JUN/19 | JOE | TOMMY |
| A5 | C1298S | UPDATE PLATING | 14/SEP/20 | SULLEN | TOMMY |
| A6 | -- | UPDATE THE WIRE GAGE | 09/OCT/23 | LUCAS | TOMMY |



NOTES: UNLESS OTHERWISE SPECIFIED

- MATERIAL: COPPER ALLOY
- PLATING: SEE PART NUMBER CHART
- CONTACT SIZE: 16
- SPECIFICATIONS:
 - CURRENT RATING: 13 AMPS
 - CONTACT MILLIVOLT DROP: 100 MILLIVOLT DROP @ 13 AMP TEST CURRENT.
 - RoHS COMPLIANT
- RECOMMENDED WIRE RANGE: 16 - 20 AWG (1.0 - 0.5mm²)
RECOMMENDED INSUL O.D: 1.40 - 2.54MM (0.055 - 0.1 INCH)
- PACKAGE: 4000 PCS/REEL
- AVAILABLE APPLICATORS: MFX-3950-K OR MFX-3950-G
- ALL DIMENSIONS ARE FOR REFERENCE USE ONLY



勝特力電材超市-龍山店 886-3-5773766
 勝特力電材超市-光復店 886-3-5729570
 勝特力电子(上海) 86-21-34970699
 勝特力电子(深圳) 86-755-83298787
<http://www.100y.com.tw>

| PART NUMBER CHART | | |
|-------------------|--------------|---|
| PLATING | PART NUMBER | PLATING DESCRIPTION |
| NICKEL | AT60-16-0622 | SELECTIVE TIN OVER NICKEL OVERALL IN Δ ZONE |
| GOLD | AT60-16-0644 | SELECTIVE GOLD FLASH OVER NICKEL OVERALL IN Δ ZONE OR ENTIRE CONTACT |
| TIN | AT60-16-0677 | TIN OVER NICKEL OVERALL |

| | | | |
|--------------------------------------|----------------|--|--|
| SEE PART NUMBER CHART | | REF: 1060-16-0622, 1060-16-0644, 1060-16-0677 | |
| PART NUMBER | | DESCRIPTION | |
| QUANTITY | MATERIALS LIST | | |
| UNLESS OTHERWISE SPECIFIED | | SIGNATURES | |
| 1) All dimensions are in metric(mm). | | DRAWN: LUCAS CHAI 09/OCT/23 | |
| 2) Tolerances are as follows: | | CHECKED: ORION LI 10/OCT/23 | |
| 1 PL DEC ±0.30 | | ENGINEER: | |
| 2 PL DEC ±0.15 | | APPROVAL: TOMMY XIE 12/OCT/23 | |
| 3 PL DEC ±0.08 | | CUSTOMER: | |
| 3) Note reference = Δ | | THIS DRAWING IS SUPPLIED FOR INFORMATION ONLY. DESIGN FEATURES, SPECIFICATIONS AND PERFORMANCE DATA SHOWN HEREON ARE THE PROPERTY OF THE AMPHENOL CORPORATION. NO RIGHTS OF REPRODUCTION ARE IMPLIED. ALL DIMENSIONS ARE SUBJECT TO NORMAL MANUFACTURING VARIATIONS. | |
| MATERIAL SPECIFICATIONS: | | SIZE B C- | |
| PROCESS SPECIFICATIONS: | | TYPE AT60-16-06XX | |
| NEXT ASSY: | | DWG NO: AT60-16-06XX | |
| | | REVISION A6 | |
| | | SCALE: NONE | |
| | | SHEET 1 OF 1 | |

TITLE: PIN, STAMPED, SIZE 16, 16-20 AWG, A SERIES
 DWG NO: AT60-16-06XX
 REV: A6
 SH: 1
 OF: 1