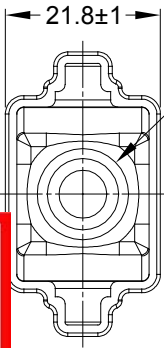
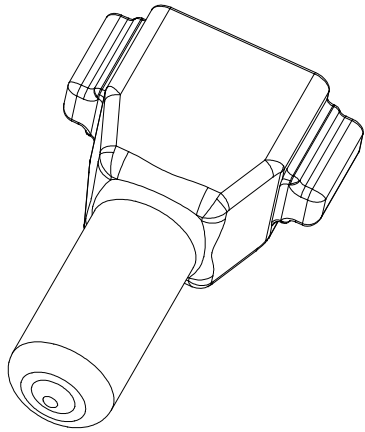
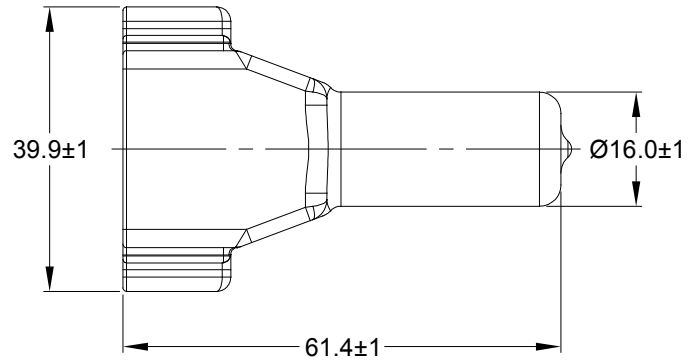


REVISIONS					
REV	ECO	DESCRIPTION	DATE	BY	APPR
A1	-	RELEASE NUMBER	28AUG19	BROOK	TOMMY



Ø12.8±1.0  
CABLE JACKET AREA



勝特力電材超市-龍山店 886-3-5773766  
 勝特力電材超市-光復店 886-3-5729570  
 勝特力电子(上海) 86-21-34970699  
 勝特力电子(深圳) 86-755-83298787  
<http://www.100y.com.tw>

PART NUMBER CHART	
COLOR	PART NUMBER
GREY	AT8S-BT
BLACK	AT8S-BT-BK
YELLOW	AT8S-BT-YW

NOTES: UNLESS OTHERWISE SPECIFIED

- THIS PART IS USED ON AT06-08S PLUG WITH ANY MODIFICATION THAT DOES NOT INCLUDE AN END CAP.
- TEMPERATURE RATING : -29°C TO +100°C [-20°F TO +212°F]
- ALL DIMENSIONS ARE FOR REFERENCE USE ONLY.

SEE PART NUMBER CHART		REF: DT8S-BT , DT8S-BT-BK , DT8S-BT-YW		
PART NUMBER		DESCRIPTION		
QUANTITY	MATERIALS LIST			ITEM
UNLESS OTHERWISE SPECIFIED		SIGNATURES		DATE
1) All dimensions are in metric(mm).		DRAWN: <b>BROOK.DING</b>	28AUG19	
2) Tolerances are as follows:		CHECKED: <b>ORION.LI</b>	28AUG19	
1 PL DEC ±0.30		ENGINEER:		
2 PL DEC ±0.15		APPROVAL: <b>TOMMY.XIE</b>	28AUG19	
3 PL DEC ±0.08		CUSTOMER:		
3) Note reference =		THIS DRAWING IS SUPPLIED FOR INFORMATION ONLY. DESIGN FEATURES, SPECIFICATIONS AND PERFORMANCE DATA SHOWN HEREON ARE THE PROPERTY OF THE AMPHENOL CORPORATION. NO RIGHTS OF REPRODUCTION ARE IMPLIED. ALL DIMENSIONS ARE SUBJECT TO NORMAL MANUFACTURING VARIATIONS.		
MATERIAL SPECIFICATIONS:		Sine Systems - www.amphenol-sine.com 44724 Morley Drive Clinton Township, MI 48036		
PVC		BOOT ,AT ,8 WAY ,PLUG		
PROCESS SPECIFICATIONS:		SIZE	TYPE	DWG NO:
NEXT ASSY:		<b>A</b>	<b>C-</b>	<b>AT8S-BT-XX</b>
		SCALE: <b>NONE</b>		REVISION <b>A1</b>
		SHEET <b>1</b> OF <b>1</b>		