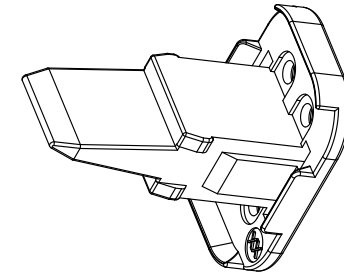
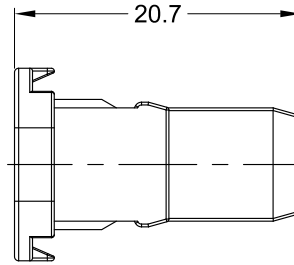
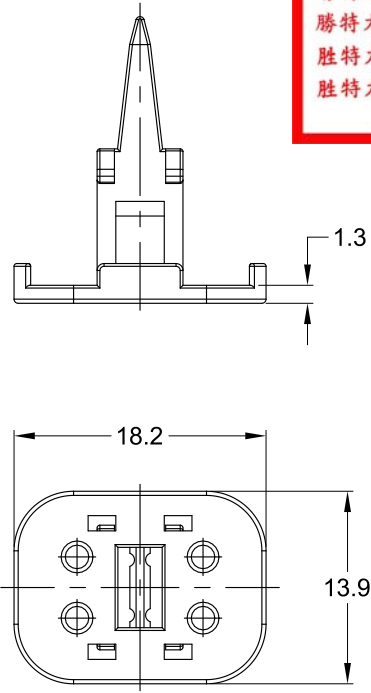


勝特力電材超市-龍山店 886-3-5773766
 勝特力電材超市-光復店 886-3-5729570
 勝特力电子(上海) 86-21-34970699
 勝特力电子(深圳) 86-755-83298787
<http://www.100y.com.tw>



REVISIONS					
REV	ECO	DESCRIPTION	DATE	BY	APPR
A3	-	RELEASE NEW DWG FORMAT	18/SEP/13	DRP	
A4	-	UPDATE DRAWING	10/MAY/19	JOE	TOMMY
A5	-	ADD NEW COLOR	08/JAN/20	BROOK	TOMMY
A6	C1437S	INCREASE LIMIT RIBS	22/SEP/21	RONALD	TOMMY

NOTES: UNLESS OTHERWISE SPECIFIED

- MATERIAL: THERMOPLASTIC;
STANDARD COLOR: GREEN
OPTIONAL COLOR: ORANG (P/N : AW4S-ORG)
- RoHS COMPLIANT
- CAVITIES: 4
- KEYED: N/A
- USE WITH CONNECTORS AT06-4S*
(* = MODIFICATIONS AND/OR COLORS)
- ALL DIMENSIONS ARE FOR REFERENCE USE ONLY.

AW4S		DESCRIPTION		ITEM
QUANTITY	PART NUMBER	DESCRIPTION		ITEM
MATERIALS LIST				
UNLESS OTHERWISE SPECIFIED:		SIGNATURES		DATE
1) All dimensions are in metric (mm).		DRAWN: RONALD		22/SEP/21
2) Tolerances are as follows:		CHECKED: ORION		23/SEP/21
1 PL DEC ±0.30		ENGINEER:		
2 PL DEC ±0.15		APPROVAL: TOMMY		24/SEP/21
3 PL DEC ±0.08		CUSTOMER:		
3) Note reference =		THIS DRAWING IS SUPPLIED FOR INFORMATION ONLY. DESIGN FEATURES, SPECIFICATIONS AND PERFORMANCE DATA SHOWN HEREON ARE THE PROPERTY OF THE AMPHENOL CORPORATION. NO RIGHTS OF REPRODUCTION ARE IMPLIED. ALL DIMENSIONS ARE SUBJECT TO NORMAL MANUFACTURING VARIATIONS.		
MATERIAL SPECIFICATIONS:		Sine Systems - www.amphenol-sine.com 44724 Morley Drive Clinton Township, MI 48036		
PROCESS SPECIFICATIONS:		S-WEDGELOCK, 4 POS ITION, AT SERIES		
NEXT ASSY:		SIZE	TYPE	DWG NO:
		B	C-	AW4S
		SCALE	NONE	REVISION
				A6
		SHEET 1 OF 1		

TITLE: S-WEDGELOCK, 4 POSITION, AT SERIES
 DWG NO: AW4S
 REV: A6
 SH: 1
 OF: 1