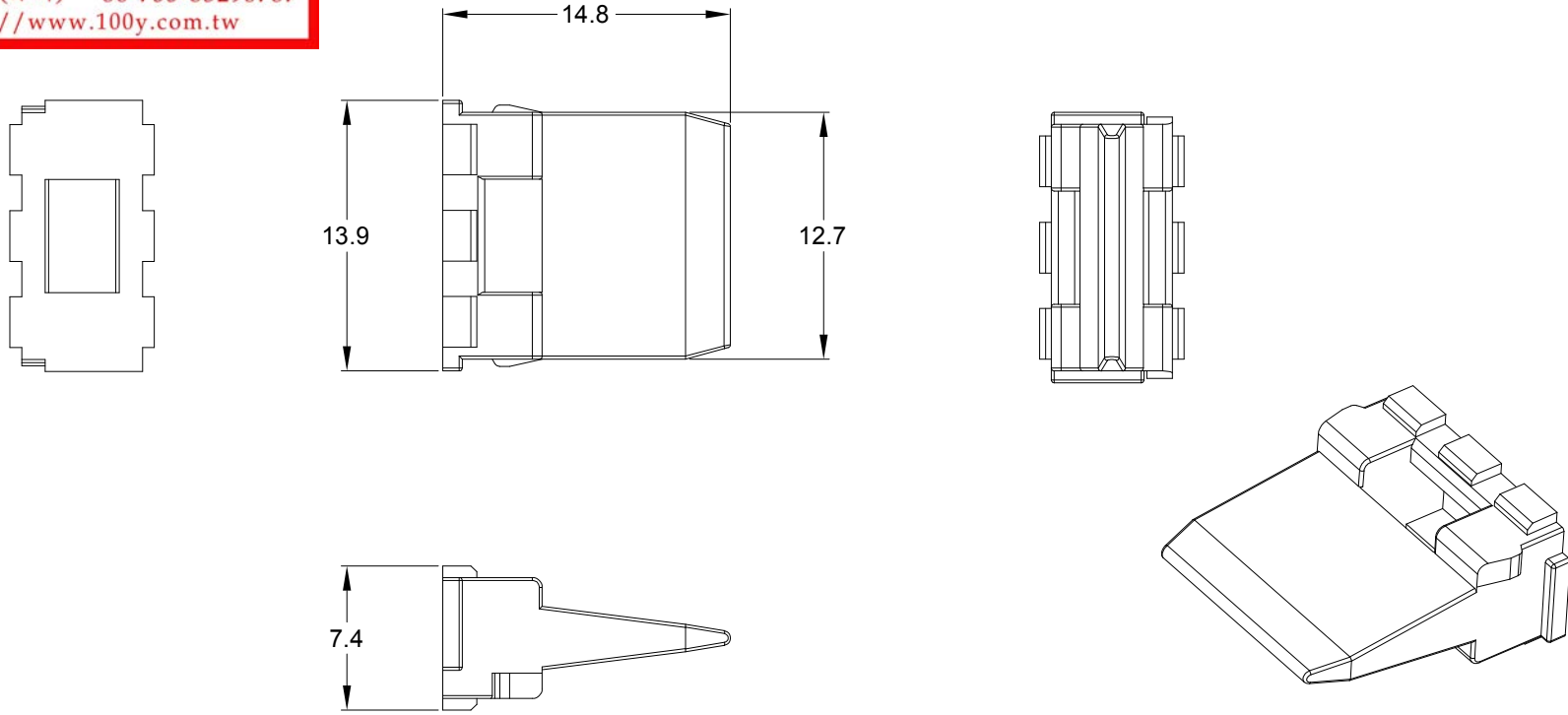


勝特力電材超市-龍山店 886-3-5773766
 勝特力電材超市-光復店 886-3-5729570
 勝特力电子(上海) 86-21-34970699
 勝特力电子(深圳) 86-755-83298787
<http://www.100y.com.tw>

REVISIONS					
REV	ECO	DESCRIPTION	DATE	BY	APPR
A3	--	RELEASE NEW DWG FORMAT	18/SEP/13	DRP	
A4	--	UPDATE DRAWING	10/MAY/19	JOE	TOMMY



NOTES: UNLESS OTHERWISE SPECIFIED

1. MATERIAL: THERMOPLASTIC; COLOR: GREEN
2. RoHS COMPLIANT
3. CAVITIES: 6
4. KEYED: N/A
5. USE WITH CONNECTORS AT04-6P*
(* = MODIFICATIONS AND/OR COLORS)
6. ALL DIMENSIONS ARE FOR REFERENCE USE ONLY.

AW6P													
QUANTITY	PART NUMBER	DESCRIPTION			ITEM								
MATERIALS LIST													
UNLESS OTHERWISE SPECIFIED 1) All dimensions are in metric(mm). 2) Tolerances are as follows: 1 PL DEC ±0.30 Fractions ±1/64 2 PL DEC ±0.15 Angles ±1° 3 PL DEC ±0.08 3) Note reference =		SIGNATURES DATE DRAWN: JOE 10/MAY/19 CHECKED: ORION 10/MAY/19 ENGINEER: APPROVAL: TOMMY 10/MAY/19		<h1>Amphenol</h1> <p>Sine Systems - www.amphenol-sine.com 44724 Morley Drive Clinton Township, MI 48036</p>									
MATERIAL SPECIFICATIONS:		CUSTOMER:		P-WEDGELOCK, 6 POSITION, AT SERIES									
PROCESS SPECIFICATIONS:		THIS DRAWING IS SUPPLIED FOR INFORMATION ONLY. DESIGN FEATURES, SPECIFICATIONS AND PERFORMANCE DATA SHOWN HEREON ARE THE PROPERTY OF THE AMPHENOL CORPORATION. NO RIGHTS OF REPRODUCTION ARE IMPLIED. ALL DIMENSIONS ARE SUBJECT TO NORMAL MANUFACTURING VARIATIONS.		<table border="1"> <tr> <td>SIZE</td> <td>TYPE</td> <td>DWG NO:</td> <td>REVISION</td> </tr> <tr> <td>A</td> <td>C-</td> <td>AW6P</td> <td>A4</td> </tr> </table>		SIZE	TYPE	DWG NO:	REVISION	A	C-	AW6P	A4
SIZE	TYPE	DWG NO:	REVISION										
A	C-	AW6P	A4										
NEXT ASSY:		SCALE: NONE		SHEET 1 OF 1									