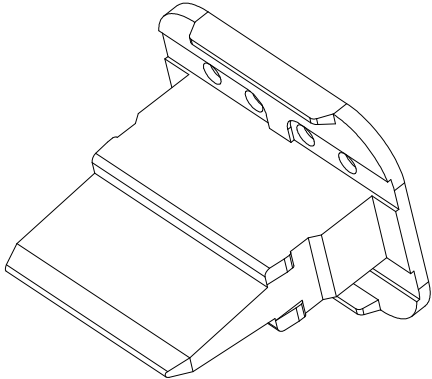
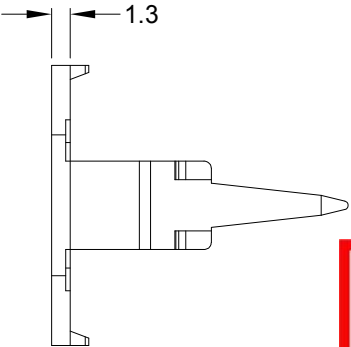
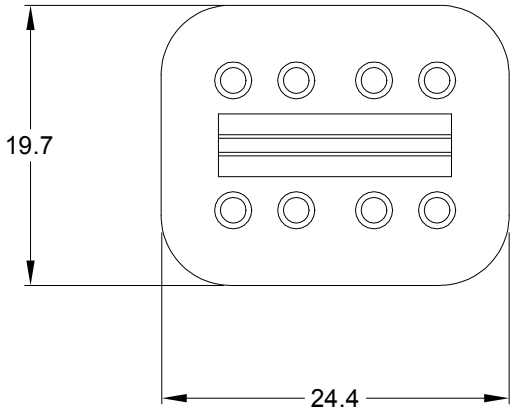
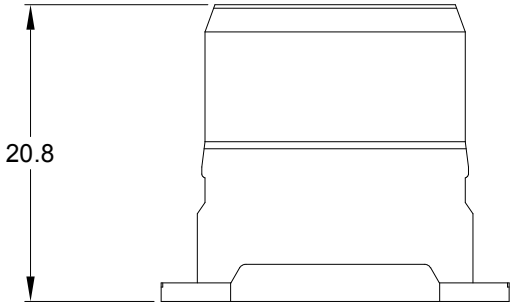


REVISIONS					
REV	ECO	DESCRIPTION	DATE	BY	APPR
A3	--	RELEASE NEW DWG FORMAT	18/SEP/13	DRP	
A4	--	UPDATE DRAWING	10/MAY/19	JOE	TOMMY



勝特力電材超市-龍山店 886-3-5773766  
 勝特力電材超市-光復店 886-3-5729570  
 勝特力电子(上海) 86-21-34970699  
 勝特力电子(深圳) 86-755-83298787  
<http://www.100y.com.tw>

**NOTES: UNLESS OTHERWISE SPECIFIED**

- 1. MATERIAL: THERMOPLASTIC; COLOR: GREEN
- 2. RoHS COMPLIANT
- 3. CAVITIES: 8
- 4. KEYED: N/A
- 5. USE WITH CONNECTORS AT06-08S\*  
(\* = MODIFICATIONS AND/OR COLORS)
- 6. ALL DIMENSIONS ARE FOR REFERENCE USE ONLY.

AW8S																	
QUANTITY	PART NUMBER	DESCRIPTION			ITEM												
<b>MATERIALS LIST</b>																	
<b>UNLESS OTHERWISE SPECIFIED</b> 1) All dimensions are in metric(mm). 2) Tolerances are as follows: 1 PL DEC ±0.30    Fractions ±1/64 2 PL DEC ±0.15    Angles ±1° 3 PL DEC ±0.08 3) Note reference =		<b>SIGNATURES</b> <b>DATE</b> DRAWN: <b>JOE</b> <b>10/MAY/19</b> CHECKED: <b>ORION</b> <b>10/MAY/19</b> ENGINEER: APPROVAL: <b>TOMMY</b> <b>10/MAY/19</b>		<h1 style="margin: 0;">Amphenol</h1> <p style="margin: 0;">Sine Systems - <a href="http://www.amphenol-sine.com">www.amphenol-sine.com</a>                      44724 Morley Drive                      Clinton Township, MI 48036</p>													
MATERIAL SPECIFICATIONS:		CUSTOMER:		<b>S-WEDGELOCK, 8 POSITION, AT SERIES</b>													
PROCESS SPECIFICATIONS:		THIS DRAWING IS SUPPLIED FOR INFORMATION ONLY. DESIGN FEATURES, SPECIFICATIONS AND PERFORMANCE DATA SHOWN HEREON ARE THE PROPERTY OF THE AMPHENOL CORPORATION. NO RIGHTS OF REPRODUCTION ARE IMPLIED. ALL DIMENSIONS ARE SUBJECT TO NORMAL MANUFACTURING VARIATIONS.		<table border="1" style="width: 100%; border-collapse: collapse;"> <tr> <td style="width: 15%;"><b>SIZE</b></td> <td style="width: 15%;"><b>TYPE</b></td> <td style="width: 40%;"><b>DWG NO:</b></td> <td style="width: 30%;"><b>REVISION</b></td> </tr> <tr> <td style="text-align: center;"><b>A</b></td> <td style="text-align: center;"><b>C-</b></td> <td style="text-align: center;"><b>AW8S</b></td> <td style="text-align: center;"><b>A4</b></td> </tr> <tr> <td colspan="2">SCALE: <b>NONE</b></td> <td colspan="2">SHEET <b>1</b> OF <b>1</b></td> </tr> </table>		<b>SIZE</b>	<b>TYPE</b>	<b>DWG NO:</b>	<b>REVISION</b>	<b>A</b>	<b>C-</b>	<b>AW8S</b>	<b>A4</b>	SCALE: <b>NONE</b>		SHEET <b>1</b> OF <b>1</b>	
<b>SIZE</b>	<b>TYPE</b>	<b>DWG NO:</b>	<b>REVISION</b>														
<b>A</b>	<b>C-</b>	<b>AW8S</b>	<b>A4</b>														
SCALE: <b>NONE</b>		SHEET <b>1</b> OF <b>1</b>															
NEXT ASSY:																	