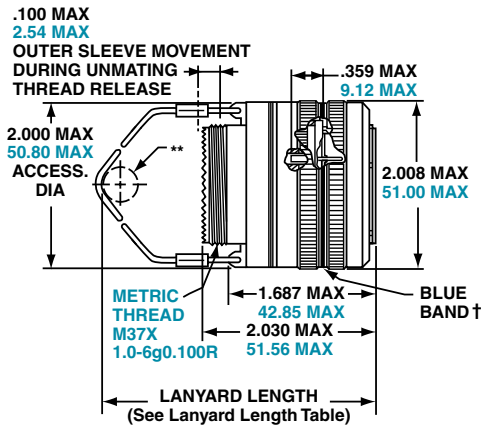


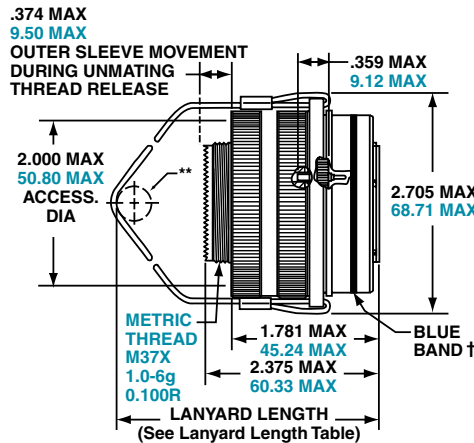
D38999/31 for MIL-STD-1760 – Series III TV Breakaway Fail Safe – Crimp, Metal

Lanyard Release Plug

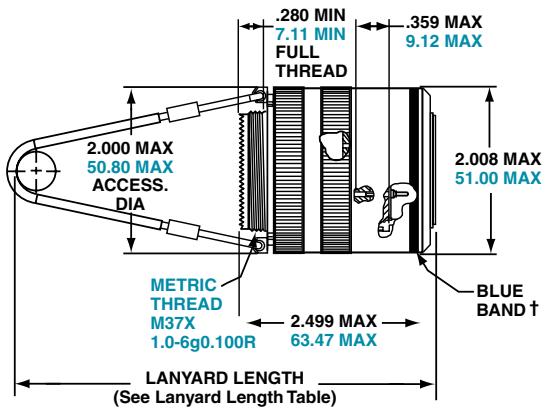
PIN CONTACTS ONLY,
 SHELL SIZE 25 ONLY



TYPE 6



TYPE 2



TYPE 1
 (LONGER SHELL)

† Blue band indicates rear release contact retention system
 ** Lanyard pulled taut against a .500 ± .13 dia. Mandrel
 All dimensions for reference only

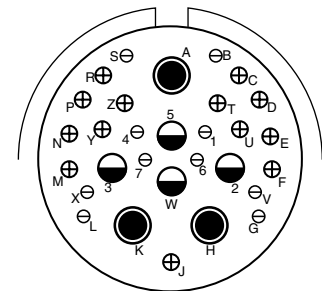
*Part number reference.
 To complete, see how to order page 41.

- D38999/31
 88-555875/76 } Type 6
 91-555875/76 }
 88-558518/19 } Type 2
 91-558518/19 }
 T3W-16B25-XXXX — Type 1

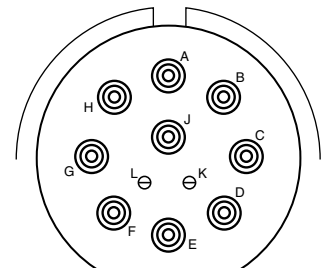
*To order by Commercial Part numbers consult Amphenol.

Tri-Start Lanyard Separation Forces		
Shell Size	Straight Plug (lbs. max.)	15 Degree Pull (lbs. max.)
25	90	100

**INSERT AVAILABILITY
 FAIL SAFE D38999/31
 FOR MIL-STD-1760**



25-20
 Primary Interface Signal Set



25-11
 Auxiliary Power Signal Set



Pin Contact Data for MIL-STD-1760

Insert Arrangement	Service Rating	Total Contacts	Contact			
			20	16	12 (Coax)	8 (Twinax)
25-20	N	30	10	13	4	3

Contacts for 25-20 Pattern

Shell Size	Arrg. Number	Number of Contacts	Size Contacts	Service Rating	Contact Location	Standard Contacts	
						Pin	Socket
25	-20	3	8	Twinax	A, H, K	M39029/90-529	M39029/91-530
		4	12	Coax	2,3	M39029/28-211	M39029/75-416
					W, 5	M39029/102-558	M39029/103-559
		13	16	N	C, D, E, F, J, M, N, P, R, T, U, Y, Z	M39029/58-364	M39029/56-352
10	20	N	B, G, L, S, V, X, 1, 4, 6, 7	M39029/58-363	M39029/56-351		

Insert Arrangement	Service Rating	Total Contacts	Contact Size	
			20	10 (power)
25-11	N	11	2	9

Mouser Electronics

Authorized Distributor

Click to View Pricing, Inventory, Delivery & Lifecycle Information:

[Amphenol:](#)

[M39029/91-530](#) [M39029/56-352](#)