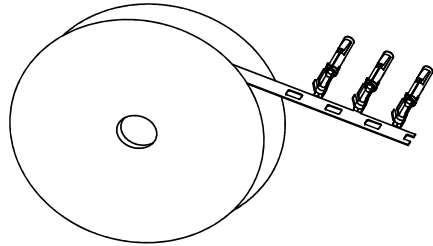
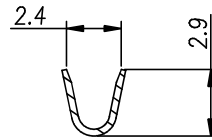


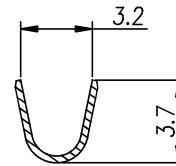
勝特力電材超市-龍山店 886-3-5773766  
 勝特力電材超市-光復店 886-3-5729570  
 勝特力電子(上海) 86-21-34970699  
 勝特力電子(深圳) 86-755-83298787  
<http://www.100y.com.tw>



CONTACT ORIENTATION ON ROLL



SECTION A-A



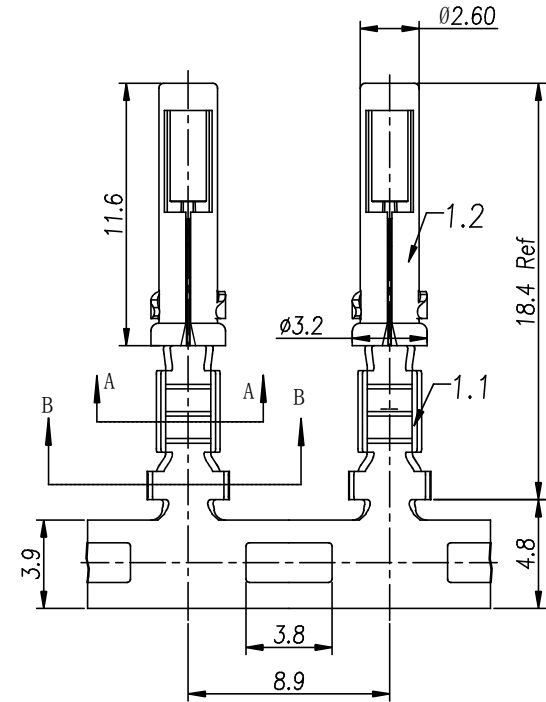
SECTION B-B

**NOTES : (UNLESS OTHERWISE SPECIFIED)**

1. MATERIAL :
  - 1.1 CONTACT BODY : COPPER ALLOY.
  - 1.2 OUTER SPRING : STAINLESS STEEL.
2. SPECIFICATIONS :
  - 2.1 CURRENT RATING : 13A MAX.
  - 2.2 TERMINATION TYPE : CRIMPING.
  - 2.3 WIRE RANGE : 16~18AWG.
  - 2.4 WIRE INSULATION DIA(MAX) : Ø3.2mm.
3. ROHS COMPLIANT.
4. ALL DIMENSIONS ARE FOR REFERENCE USE ONLY.
5. AVAILABLE TOOLS :
  - 5.1 HAND CRIMPER : MFX-3954.
  - 5.2 CRIMP APPLICATOR : MFX-3957.
  - 5.3 EXTRACTION TOOL : QXRT16.

P/N	CONTACT PLATING(MATING AREA)
SS16M1T	TIN PLATING OVER NICKEL.
SS16M1F	GOLD FLASH PLATING OVER NICKEL.
SS16M1G10	10µ" GOLD PLATING OVER NICKEL.
SS16M1G15	15µ" GOLD PLATING OVER NICKEL.
SS16M1G30	30µ" GOLD PLATING OVER NICKEL.

REVISIONS					
REV	ECO	DESCRIPTION	DATE	BY	APPR
B1	-	RELEASED DRAWING	JAN-18-2014	ARROW	TOMMY



QUANTITY	PART NUMBER	DESCRIPTION	ITEM										
<b>MATERIALS LIST</b>													
UNLESS OTHERWISE SPECIFIED 1) All dimensions are in metric(mm). 2) Tolerances are as follows: 1 PL DEC ±0.30   Fractions ±1/64 2 PL DEC ±0.15   Angles ±1° 3 PL DEC ±0.08		<table border="1"> <tr> <th>SIGNATURES</th> <th>DATE</th> </tr> <tr> <td>DRAWN: ARROW</td> <td>JAN-17-2014</td> </tr> <tr> <td>CHECKED:</td> <td></td> </tr> <tr> <td>ENGINEER:</td> <td></td> </tr> <tr> <td>APPROVAL:</td> <td></td> </tr> </table>		SIGNATURES	DATE	DRAWN: ARROW	JAN-17-2014	CHECKED:		ENGINEER:		APPROVAL:	
SIGNATURES	DATE												
DRAWN: ARROW	JAN-17-2014												
CHECKED:													
ENGINEER:													
APPROVAL:													
MATERIAL SPECIFICATIONS:		<h2 style="margin: 0;">Amphenol</h2> <p style="margin: 0;">Sine Systems - <a href="http://www.amphenol-sine.com">www.amphenol-sine.com</a>                      44724 Morley Drive                      Clinton Township, MI 48036</p>											
PROCESS SPECIFICATIONS:		<p>ECO-MATE, SOCKET CONTACT,                      STAMPED, 16-18AWG, SIZE 16</p>											
NEXT ASSY:		<table border="1"> <tr> <th>SIZE</th> <th>TYPE</th> <th>DWG NO.</th> <th>REVISION</th> </tr> <tr> <td>B</td> <td>C-</td> <td>SS16M1XX</td> <td>B1</td> </tr> </table>	SIZE	TYPE	DWG NO.	REVISION	B	C-	SS16M1XX	B1			
SIZE	TYPE	DWG NO.	REVISION										
B	C-	SS16M1XX	B1										
		SCALE: NONE	SHEET 1 OF 1										

TITLE: ECO-MATE, SOCKET CONTACT, STAMPED, 16-18AWG, SIZE 16  
 DWG NO.: SS16M1XX  
 REV: B1  
 SH: 1  
 OF: 1