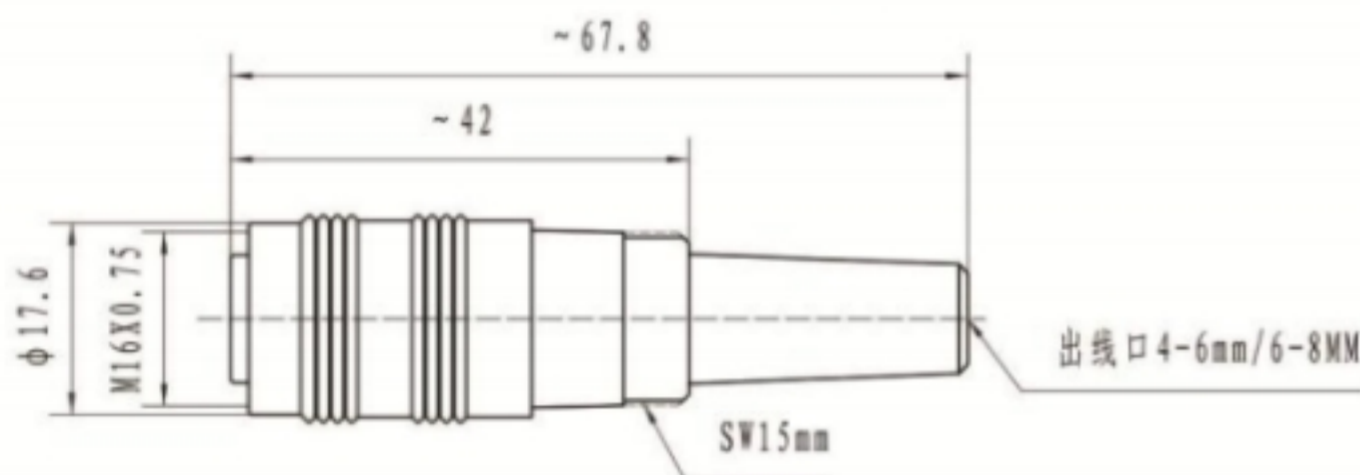


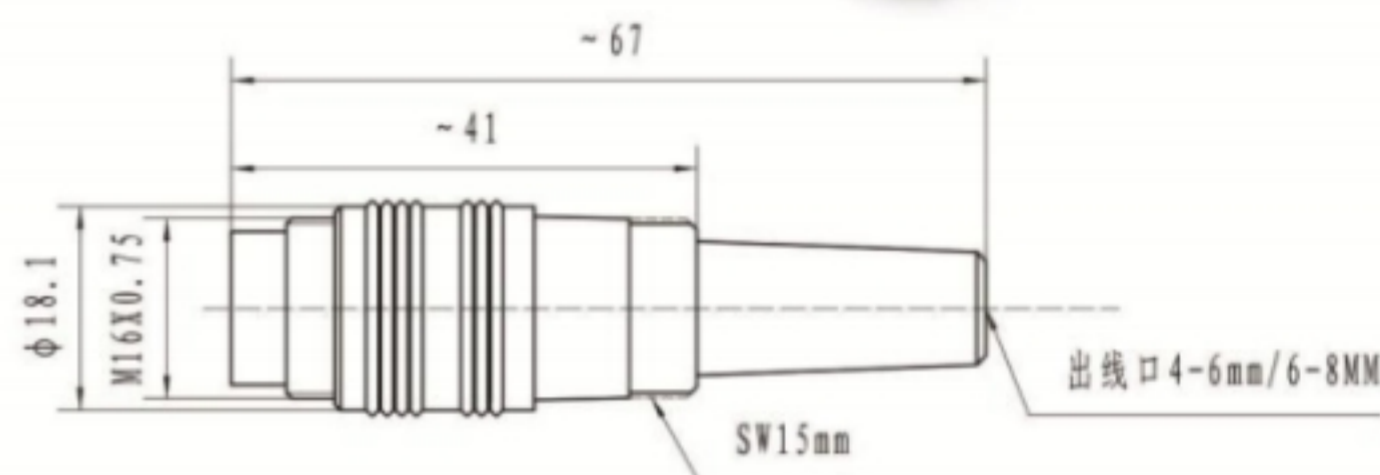
M16系列普通型

M16连接器直, 孔, 焊接, 带电缆夹, 带屏蔽
 Female cable connector, shieldable, solder



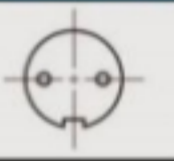
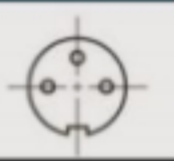
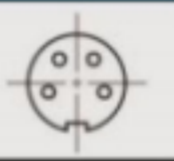

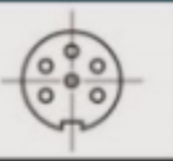
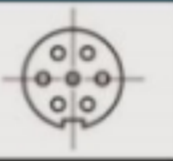
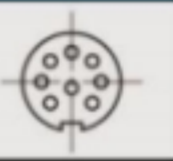
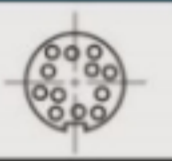
针数 contacts	电缆出线直径 cable outlet(mm)	订 货 号 ordering-number
2	4-6	C16-11311-2S
	6-8	C16-11312-2S
3	4-6	C16-11311-3S
	6-8	C16-11312-3S
4	4-6	C16-11311-4S
	6-8	C16-11312-4S
5	4-6	C16-11311-5S
	6-8	C16-11312-5S
6	4-6	C16-11311-6S
	6-8	C16-11312-6S
7	4-6	C16-11311-7S
	6-8	C16-11312-7S
8	4-6	C16-11311-8S
	6-8	C16-11312-8S
12	4-6	C16-11311-12S
	6-8	C16-11312-12S

M16连接器直, 针, 焊接, 带电缆夹, 带屏蔽
 Male cable connector, shieldable, solder



针数 contacts	电缆出线直径 cable outlet(mm)	订 货 号 ordering-number
2	4-6	C16-11311-2P
	6-8	C16-11312-2P
3	4-6	C16-11311-3P
	6-8	C16-11312-3P
4	4-6	C16-11311-4P
	6-8	C16-11312-4P
5	4-6	C16-11311-5P
	6-8	C16-11312-5P
6	4-6	C16-11311-6P
	6-8	C16-11312-6P
7	4-6	C16-11311-7P
	6-8	C16-11312-7P
8	4-6	C16-11311-8P
	6-8	C16-11312-8P
12	4-6	C16-11311-12P
	6-8	C16-11312-12P

M16系列普通型技术参数

排列图									Contact Arrangement
针数	2	3	4	5	6	7	8	12	Number of contacts
锁紧方式	螺纹式/screw								Connector locking system
接线方式	焊接/solder								Termination
连接截面	max. 0.75mm ² (max. AWG20)							max. 0.25mm ² (max. AWG24)	Wire guage
电缆直径	4-6mm (PG7) / 6-8mm (PG9)								Cable outlet
防护等级	IP40								Degree go protection
机械寿命	>500次插拔周期/ >500 mating cycles								Mechanical operation
工作温度	(-40° - 85°)								temperature range
额定电压	250V (32V)				125V (32V)		60V (32V)		Rated voltage
额定冲击电压	1500V				800V		500V		Rated impulse voltage
污染等级	1(2) ^①								Pollution degree
过电保护等级	I (II) ^①								Overvoltage categorie
绝缘组别	III								Material group
额定电流 (40°)	7A		6A		5A		3A		Rated current(40°)
接触电阻	<=3mΩ (金/gold)								Contact resistance
触电材料	黄铜/brass								Material of contact
触点电镀材料	金/gold								Contact plating
插座材料	尼龙/PA								Material of contact body
外壳材料	黄铜镀镍/CuZn								Material of housing

①当污染等级为2级, 过电保护等级为II时, 额定电压将至32V