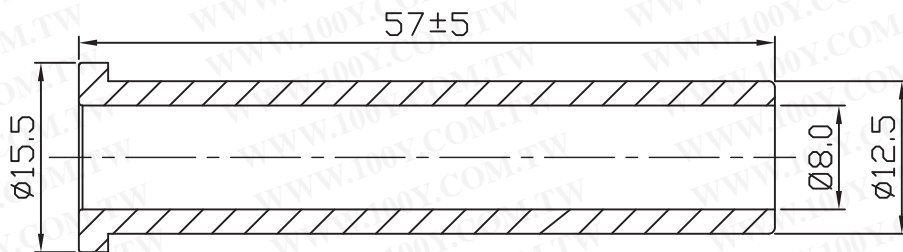


RoHS

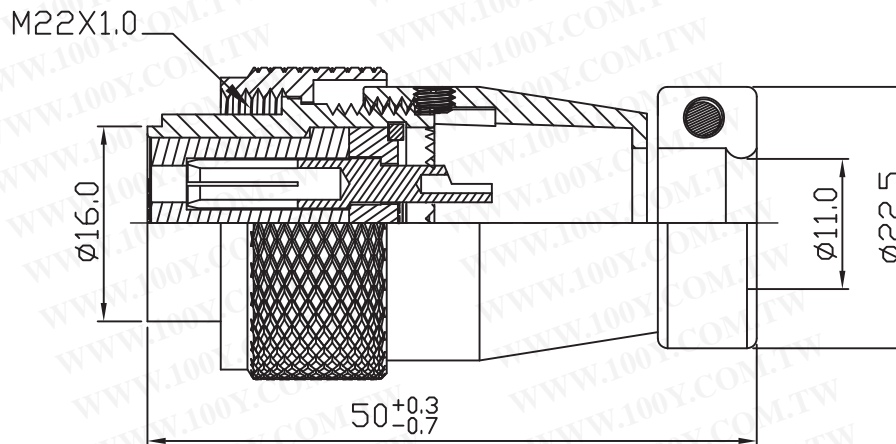
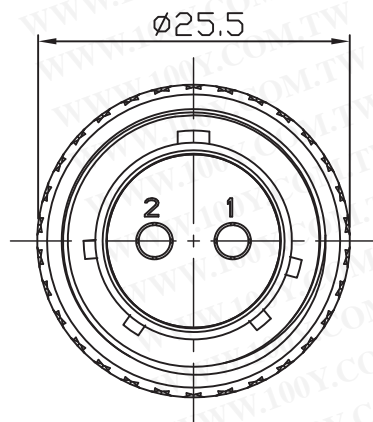
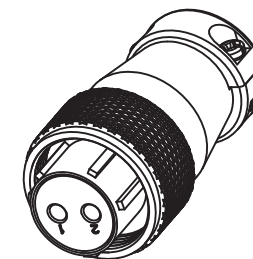
Compatible



SIGN	DATE	DESCRIPTION	APPROVER
△			
△			
△			



束線管



Note:

- Rated current : 15A
- Rated voltage : 250V
- Withstanding voltage(AC.V.rms)1 minute: $\geq 1500V$
- Insulation resistance (MΩ MIN) at DC 500V: ≥ 2000 MΩ
- Contact resistance (mΩ MAX) at DC 1A: ≤ 3 mΩ
- Operation temperature : $-40^{\circ}C \sim +65^{\circ}C$

勝特力材料 886-3-5753170
勝特力电子(上海) 86-21-34970699
勝特力电子(深圳) 86-755-83298787
[Http://www.100y.com.tw](http://www.100y.com.tw)

TITLE: CR2系列2PIN套環母頭					
PART NO.: CR2P-02ASNS-10			CUSTOMER P/N:		
APP BY	CHK BY	RF BY	DES BY		Tolerance
					UNITS: mm X.X ±0.3
					SCALE: 1/1 X.XX ±0.2
					REVISION: A X° ±1