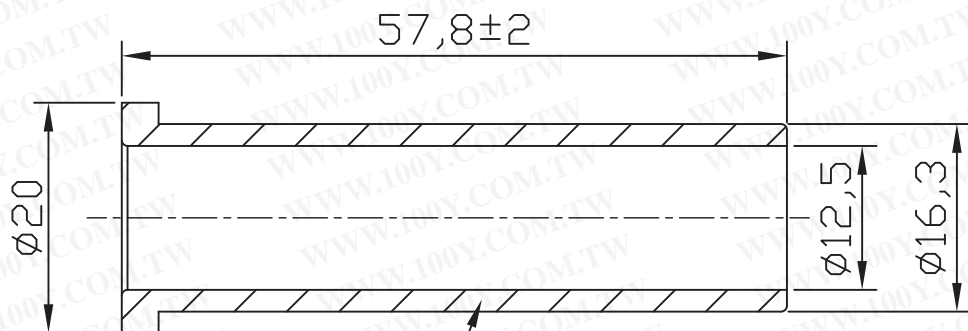


RoHS

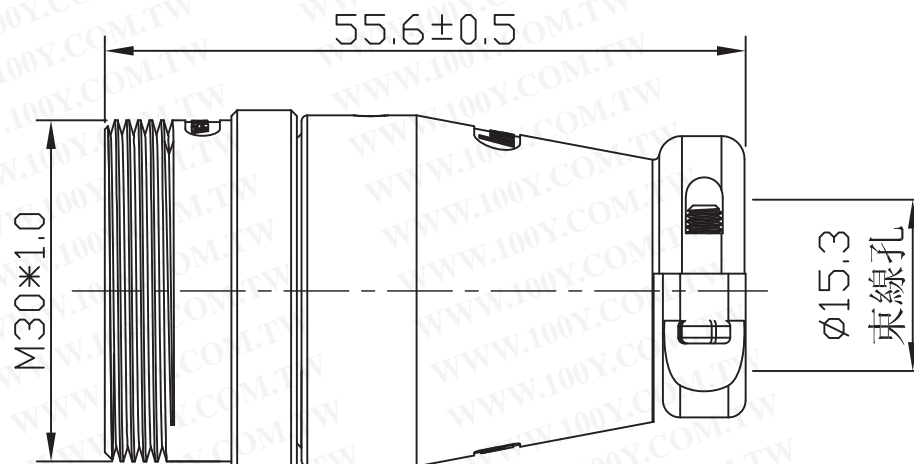
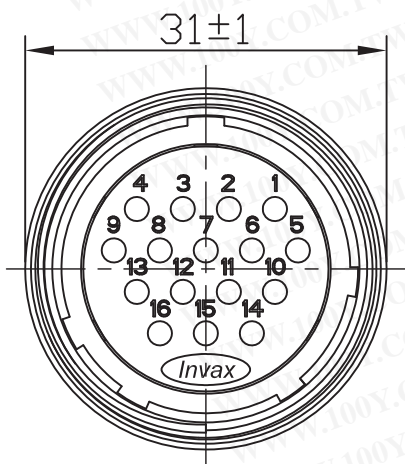
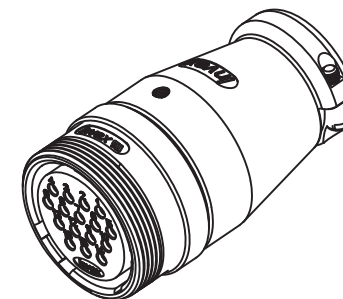
Compatible



SIGN	DATE	DESCRIPTION	APPROVER
△			
△			
△			



Tighten the tube



勝特力材料 886-3-5753170
勝特力电子(上海) 86-21-34970699
勝特力电子(深圳) 86-755-83298787
[Http://www.100y.com.tw](http://www.100y.com.tw)

Note:

Rated current : 5A

Rated voltage : 250V

Withstanding voltage(AC.V.rms)1 minute: $\geq 1000V$

Insulation resistance (MΩ MIN) at DC 500V: $\geq 1000 M\Omega$

Contact resistance (mΩ MAX) at DC 1A: $\leq 5m\Omega$

Operation temperature : -40°C ~ +65°C

Invax

TITLE: CR4*E系列16PIN延長型(母針)接線頭(夾線式)

PART NO.: CR4E-16ASNS-10

CUSTOMER P/N:

APP BY	CHK BY	RF BY	DES BY		Tolerance
			李海成	UNITS: mm	X.X ±0.2
			2015/05/08	SCALE: 1/1	X.XX ±0.10
				REVISION: A	X° ±1