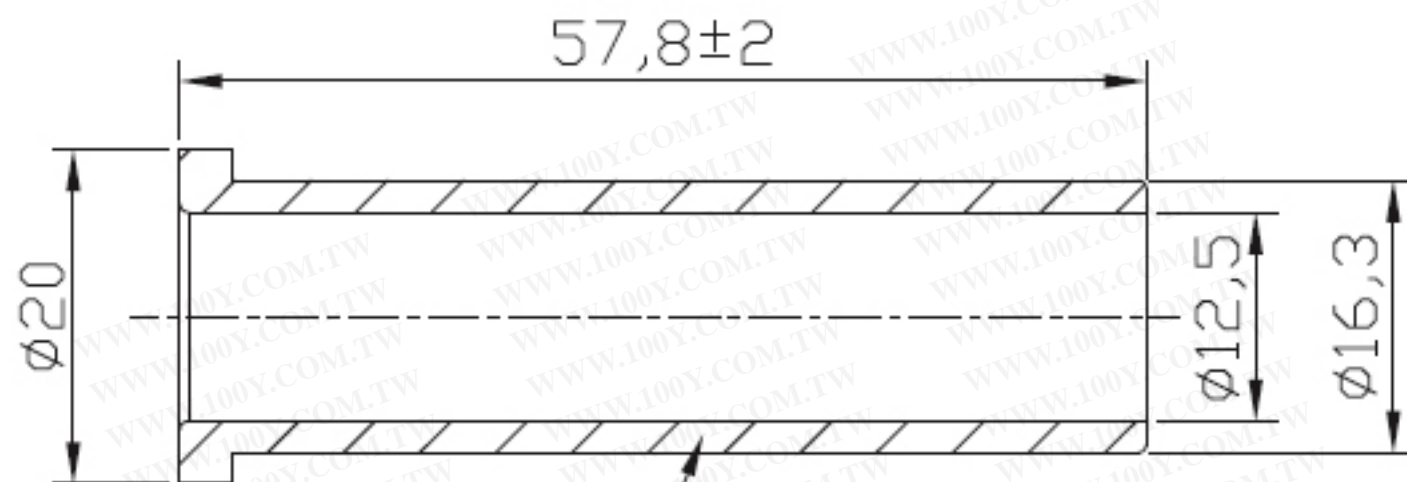


RoHS

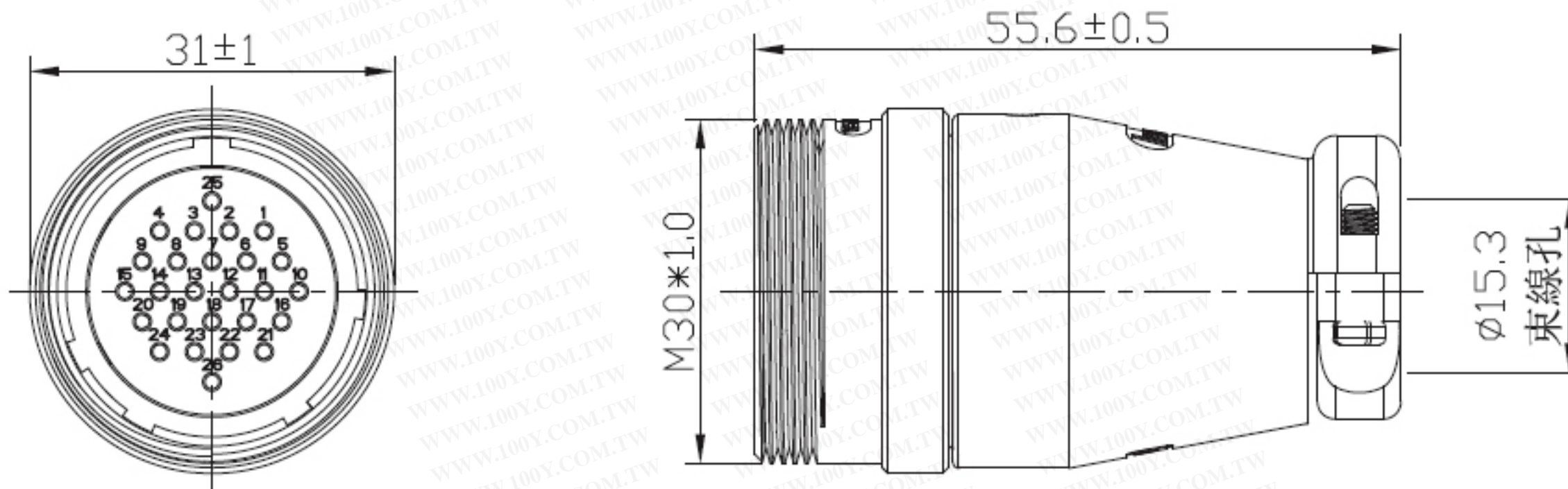
Compatible



SIGN	DATE	DESCRIPTION	APPROVER
△			
△			
△			



Tighten the tube



Note:

- Rated current : 5A
- Rated voltage : 250V
- Withstanding voltage(AC.V.rms)1 minute: $\geq 1000V$
- Insulation resistance (MΩ MIN) at DC 500V: $\geq 1000 M\Omega$
- Contact resistance (mΩ MAX) at DC 1A: $\leq 5m\Omega$
- Operation temperature : $-40^{\circ}C \sim +65^{\circ}C$

勝特力材料 886-3-5753170
 勝特力电子(上海) 86-21-34970699
 勝特力电子(深圳) 86-755-83298787
[Http://www.100y.com.tw](http://www.100y.com.tw)

Invaxⁱⁱ

TITLE: CR4*E系列26PIN延長型(母針)接線頭(夾線式)

PART NO.: CR4E-26ASNS-10

CUSTOMER P/N:

APP BY	CHK BY	RF BY	DES BY	 Tolerance X.X ±0,2 X.XX ±0,10 X° ±1
UNITS: mm				
SCALE: 1/1				
REVISION: A				