

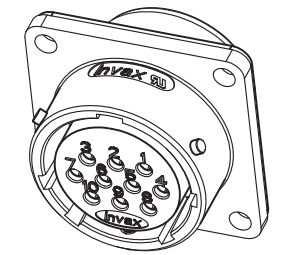
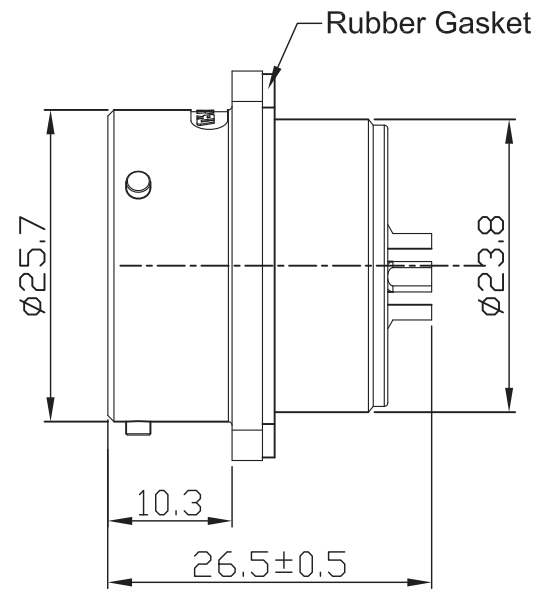
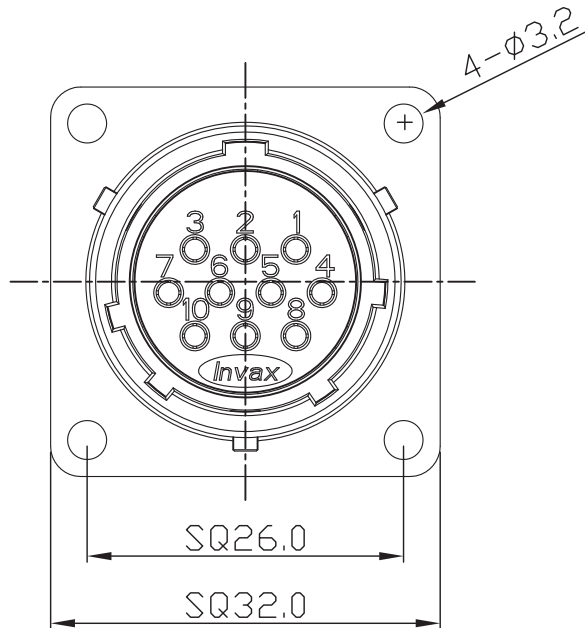
HF

RoHS

REACH

**CONFIDENTIAL**

SIGN	DATE	DESCRIPTION	APPROVER
△			
△			
△			



Part Number 料號	CRB3R-05ASNS	CRB3R-10ASNS	CRB3R-16ASNS	CRB3R-16BSNS
Contacts Configuration 接點方位				
Pin diameter( $\phi$ mm) 适配針	2.5	1.6	1.0	1.2
No.of contacts 接點數目	5Pin	10Pin	16Pin	16Pin
Rated current/voltage 額定電流/電壓	15A/250V	10A/250V	5A/250V	8A/250V
Withstanding voltage(AC.V .rms)1 minute耐電壓1分鐘	1500	1000	1000	1000
Insulation resistance (M $\Omega$ MIN) at DC 500V 絕緣阻抗	2000	2000	2000	1000
Contact resistance (m $\Omega$ MAX) at DC 1A 接觸阻抗	3	3	3	3
Operation temperature( $^{\circ}$ C) 工作溫度	-40 ~ +65	-40 ~ +65	-40 ~ +65	-40 ~ +65

勝特力電材超市-龍山店 886-3-5773766  
 勝特力電材超市-光復店 886-3-5729570  
 勝特力电子(上海) 86-21-34970699  
 勝特力电子(深圳) 86-755-83298787  
<http://www.100y.com.tw>

TITLE: CR3旋扣系列母針面板座(共用图紙)					
PART NO.: CRB3R-xxASNS			CUSTOMER P/N: /		
APP BY	CHK BY	RF BY	DES BY		Tolerance
				UNITS: mm	X.X ±0.2
				SCALE: 3/1	X.XX ±0.1
				REVISION: A	X° ±1