

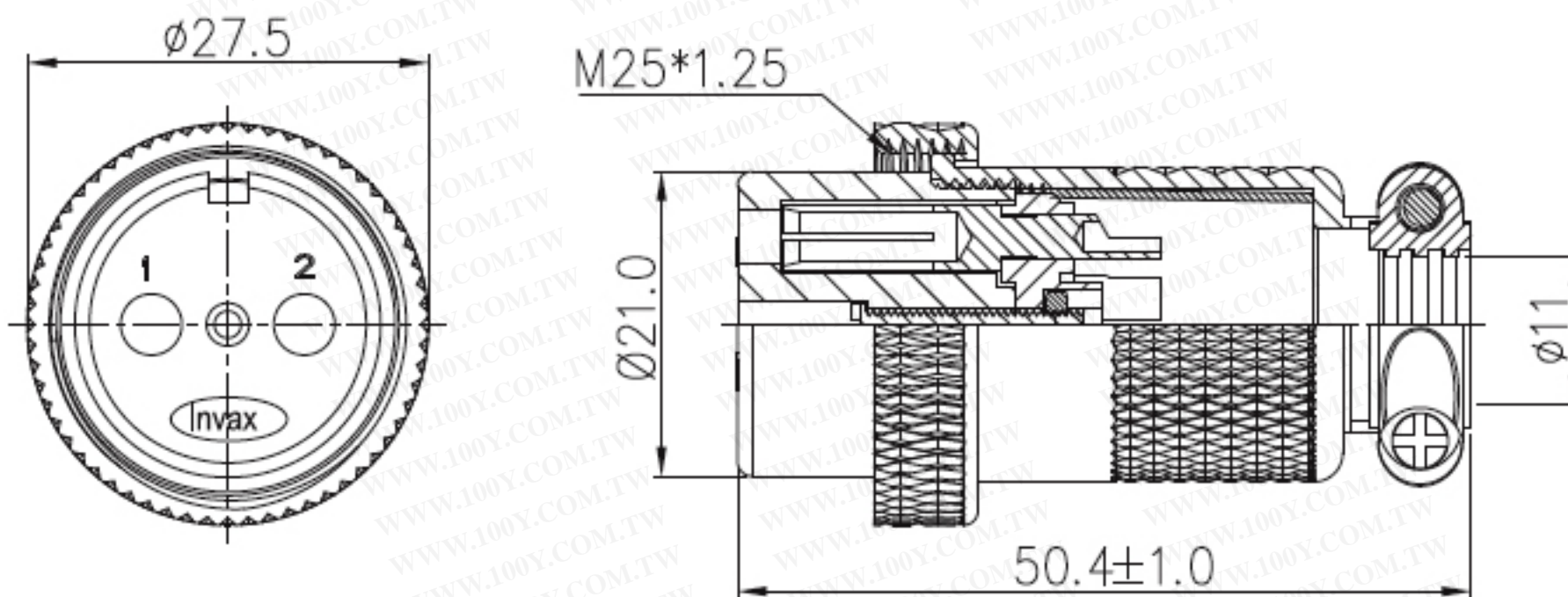
RoHS

Compatible



勝特力材料 886-3-5753170
勝特力电子(上海) 86-21-34970699
勝特力电子(深圳) 86-755-83298787
[Http://www.100y.com.tw](http://www.100y.com.tw)

SIGN	DATE	DESCRIPTION	APPROVER
△			
△			
△			



Note:

Rated current : 10A

Rated voltage : 250V

Withstanding voltage(AC.V.rms)1 minute: $\geq 2000V$

Insulation resistance (MΩ MIN) at DC 500V: $\geq 2000 M\Omega$

Contact resistance (mΩ MAX) at DC 1A: $\leq 3m\Omega$

Operation temperature : $-40^{\circ}C \sim +65^{\circ}C$

TITLE: CS3系列2pin 接線頭 (母針)

PART NO.: CS3P-02ASNS-00

CUSTOMER P/N:

APP BY	CHK BY	RF BY	DES BY		Tolerance
				UNITS: mm	X,X ±0.3
				SCALE: 1/1	X,XX ±0.2
				REVISION: A	X° ±1