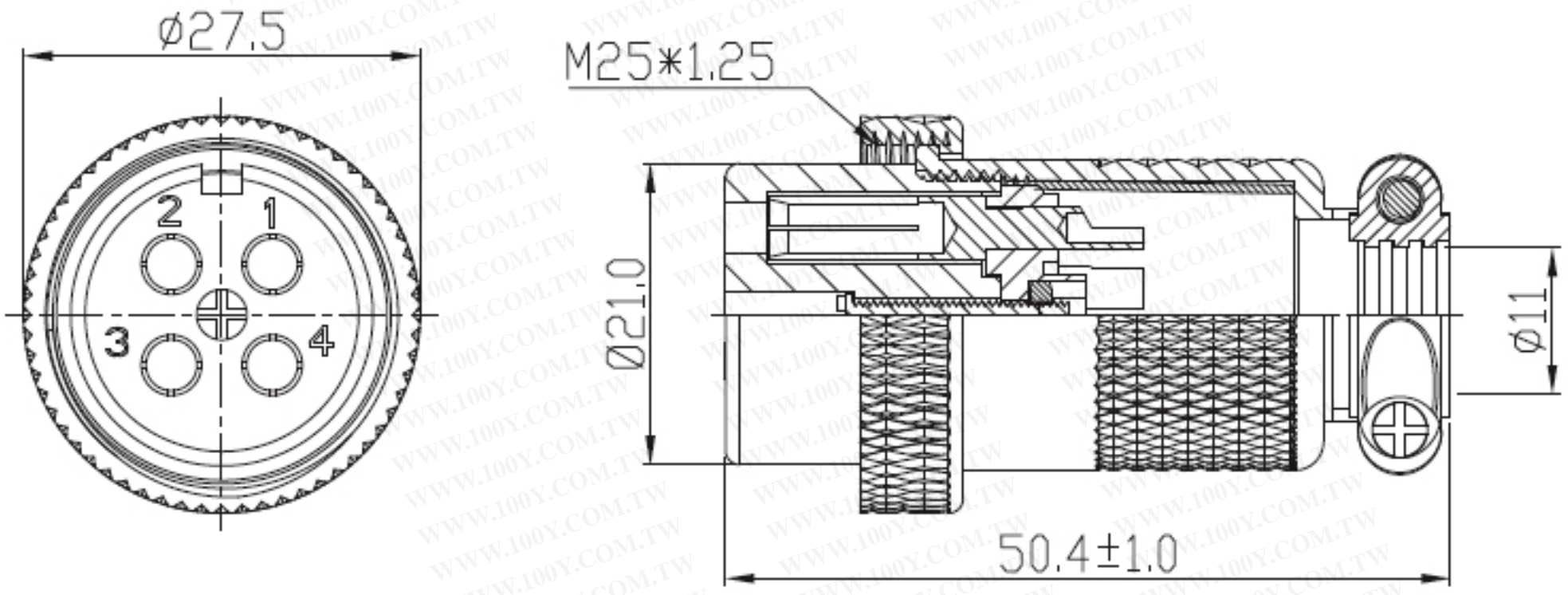


# RoHS

## Compatible



SIGN	DATE	DESCRIPTION	APPROVER
△			
△			
△			



勝特力材料 886-3-5753170  
勝特力电子(上海) 86-21-34970699  
勝特力电子(深圳) 86-755-83298787  
[Http://www.100y.com.tw](http://www.100y.com.tw)

Note:  
Rated current : 10A  
Rated voltage : 250V  
Withstanding voltage(AC.V.rms)1 minute:  $\geq 2000V$   
Insulation resistance (M $\Omega$  MIN) at DC 500V:  $\geq 2000$  M $\Omega$   
Contact resistance (m $\Omega$  MAX) at DC 1A:  $\leq 3$ m $\Omega$   
Operation temperature :  $-40^{\circ}C \sim +65^{\circ}C$

TITLE: CS3系列4pin 接線頭 (母針)					
PART NO.: CS3P-04ASNS-00			CUSTOMER P/N:		
APP BY	CHK BY	RF BY	DES BY		Tolerance
					X.X $\pm 0.3$
					X.XX $\pm 0.2$
				REVISION: A	X° $\pm 1$