

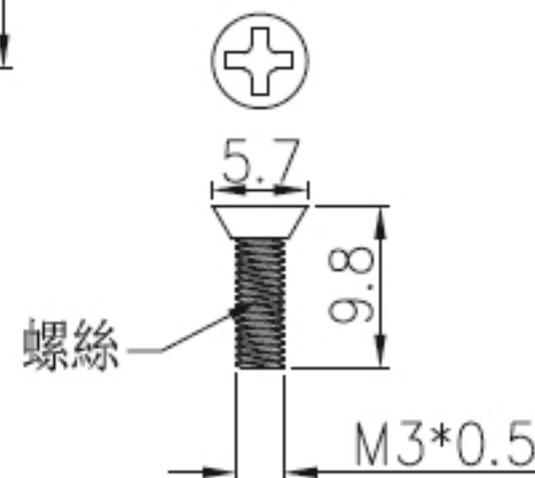
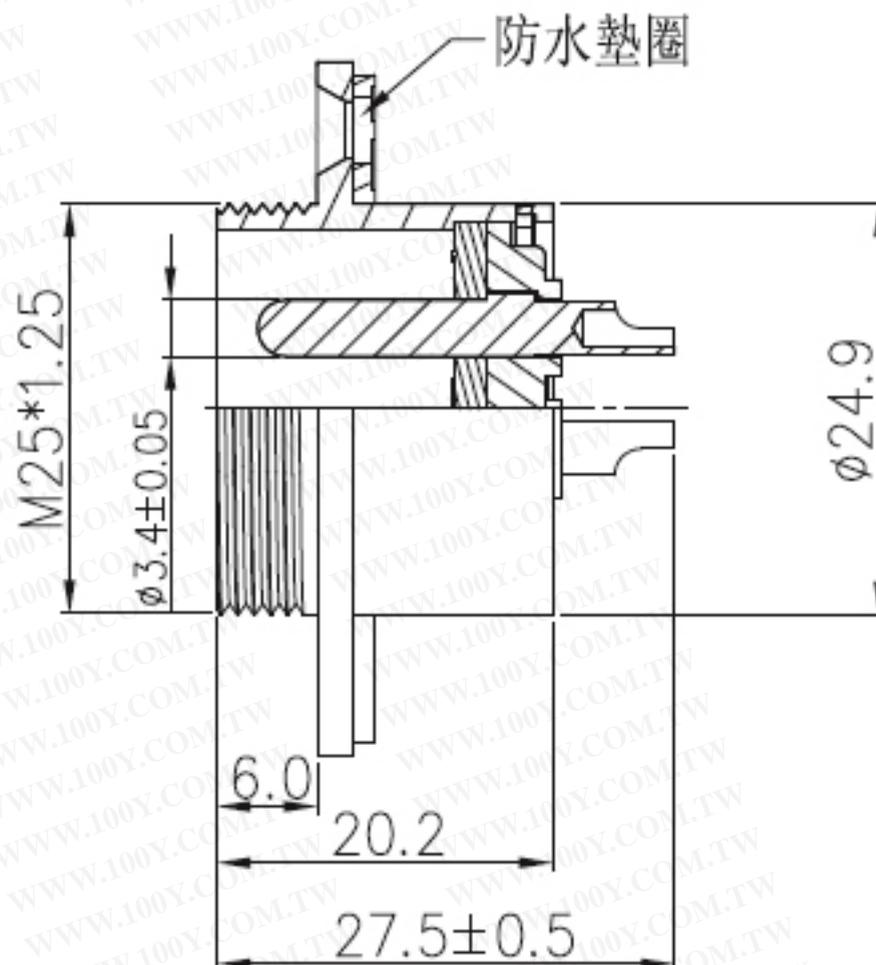
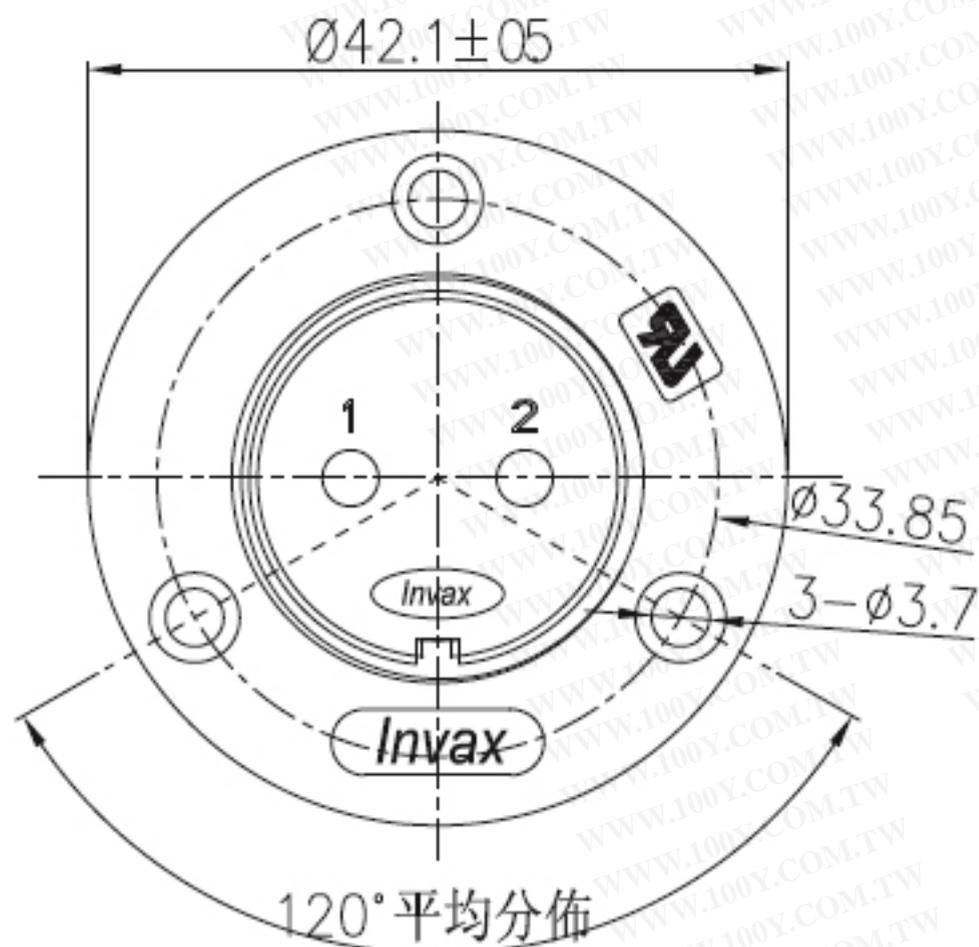
# RoHS

## Compatible



勝特力材料 886-3-5753170  
勝特力电子(上海) 86-21-34970699  
勝特力电子(深圳) 86-755-83298787  
[Http://www.100y.com.tw](http://www.100y.com.tw)

SIGN	DATE	DESCRIPTION	APPROVER
△			
△			
△			



Note:

Rated current : 10A

Rated voltage : 250V

Withstanding voltage(AC.V.rms)1 minute: >=2000V

Insulation resistance (MΩ MIN) at DC 500V: >=2000 MΩ

Contact resistance (mΩ MAX) at DC 1A: <=3mΩ

Operation temperature : -40°C ~ +65°C

TITLE: CS3系列2pin 面板座 (公針)

PART NO.: CS3R-02APNS

CUSTOMER P/N:

APP BY	CHK BY	RF BY	DES BY		Tolerance
				UNITS: mm	X,X ±0.3
				SCALE: 1/1	X.XX ±0.2
				REVISION: A	X° ±1