

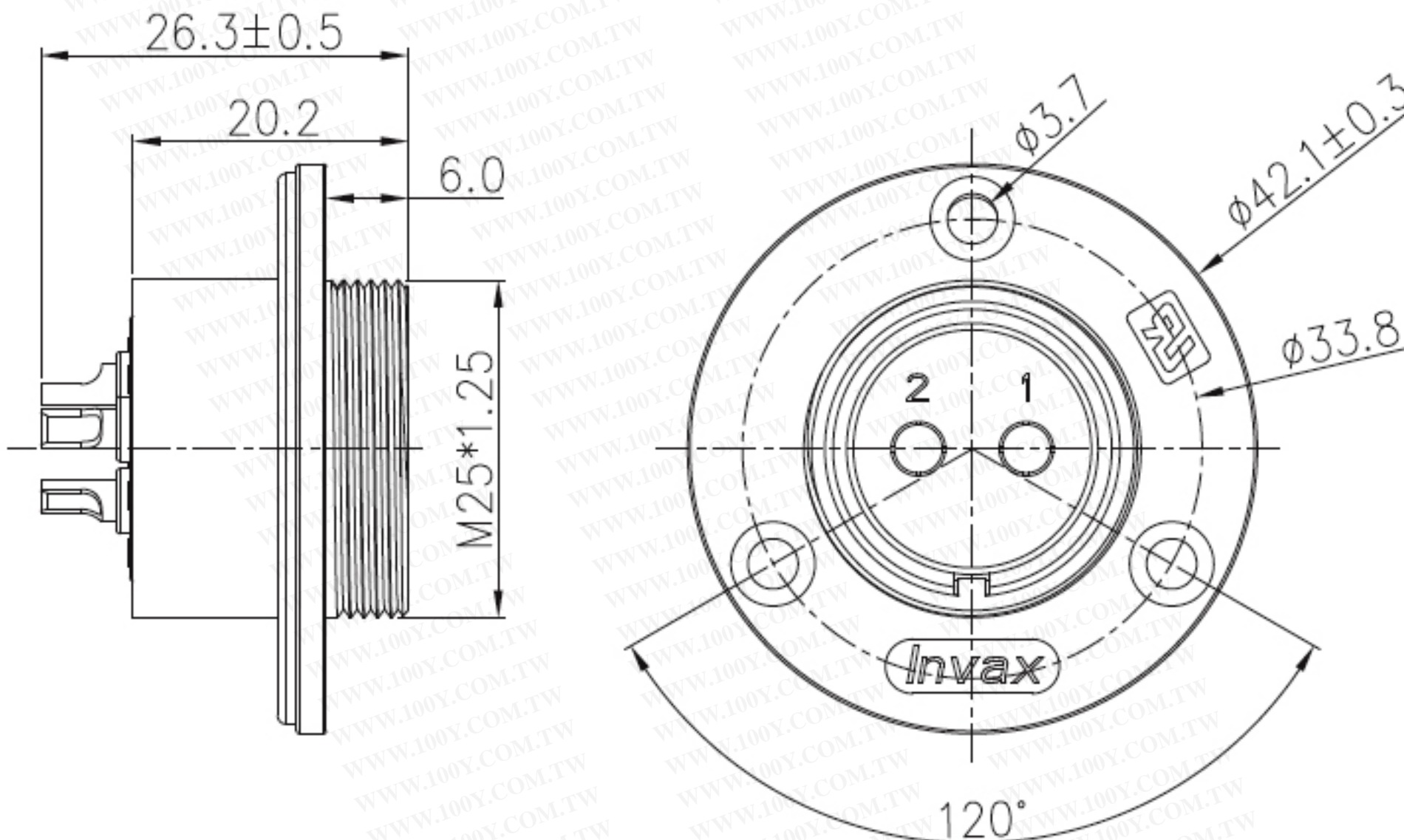
RoHS

Compatible



勝特力材料 886-3-5753170
勝特力电子(上海) 86-21-34970699
勝特力电子(深圳) 86-755-83298787
[Http://www.100y.com.tw](http://www.100y.com.tw)

| SIGN | DATE | DESCRIPTION | APPROVER |
|------|------|-------------|----------|
| △ | | | |
| △ | | | |
| △ | | | |



Note:

- Rated current : 10A
- Rated voltage : 250V
- Withstanding voltage(AC.V.rms)1 minute: $\geq 2000V$
- Insulation resistance (MΩ MIN) at DC 500V: $\geq 2000 M\Omega$
- Contact resistance (mΩ MAX) at DC 1A: $\leq 3m\Omega$
- Operation temperature : $-40^{\circ}C \sim +65^{\circ}C$

| | | | | | |
|--------------------------|--------|-------|---------------|-------------|-----------|
| TITLE: CS3系列2PIN面板座 (母針) | | | | | |
| PART NO.: CS3R-02ASNS | | | CUSTOMER P/N: | | |
| APP BY | CHK BY | RF BY | DES BY | | Tolerance |
| | | | | | UNITS: mm |
| | | | | SCALE: 1/1 | X.XX ±0.2 |
| | | | | REVISION: A | X° ±1 |