

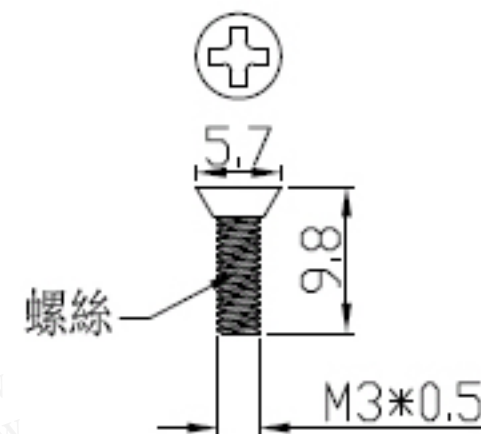
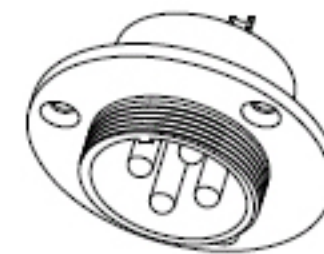
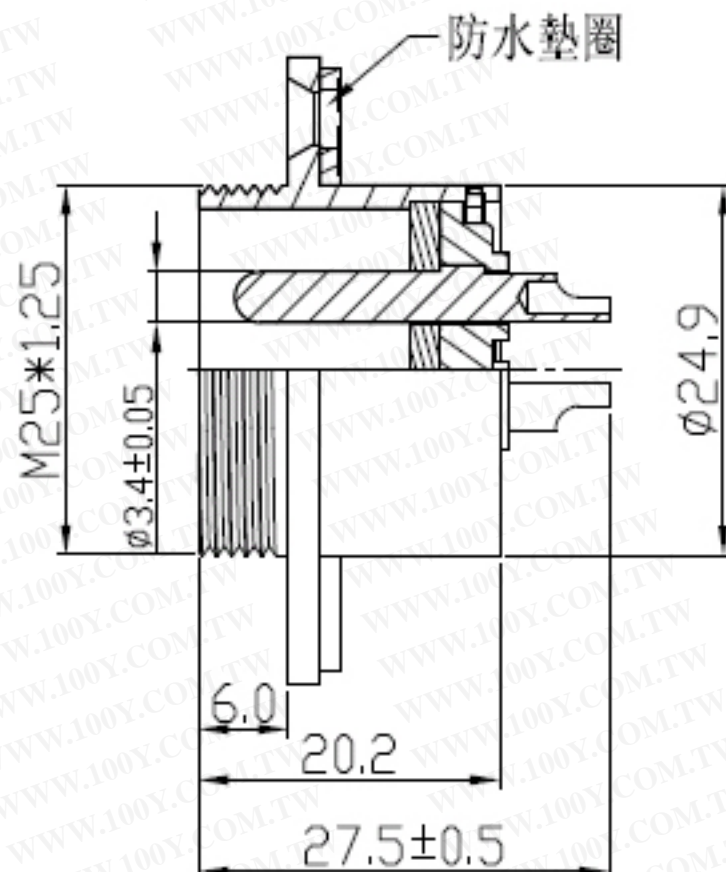
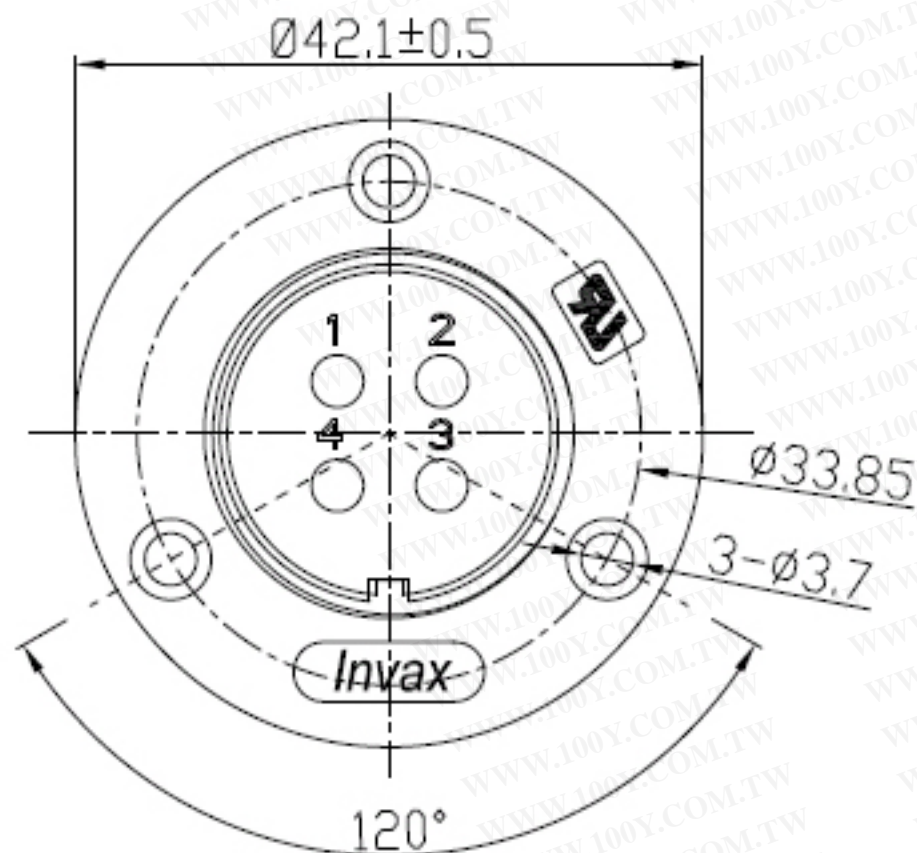
RoHS

Compatible



勝特力材料 886-3-5753170
勝特力电子(上海) 86-21-34970699
勝特力电子(深圳) 86-755-83298787
[Http://www.100y.com.tw](http://www.100y.com.tw)

SIGN	DATE	DESCRIPTION	APPROVER
△			
△			
△			



Note:

- Rated current : 10A
- Rated voltage : 250V
- Withstanding voltage(AC.V.rms)1 minute: $\geq 2000V$
- Insulation resistance (MΩ MIN) at DC 500V: $\geq 2000 M\Omega$
- Contact resistance (mΩ MAX) at DC 1A: $\leq 3m\Omega$
- Operation temperature : $-40^{\circ}C \sim +65^{\circ}C$

Cortec

TITLE: CS3系列4pin 面板座 (公針)

PART NO.: CS3R-04APNS

CUSTOMER P/N:

APP BY

CHK BY

RF BY

DES BY

UNITS: mm

Tolerance

SCALE: 1/1

X.X ±0.3

REVISION: A

X.XX ±0.2

X° ±1