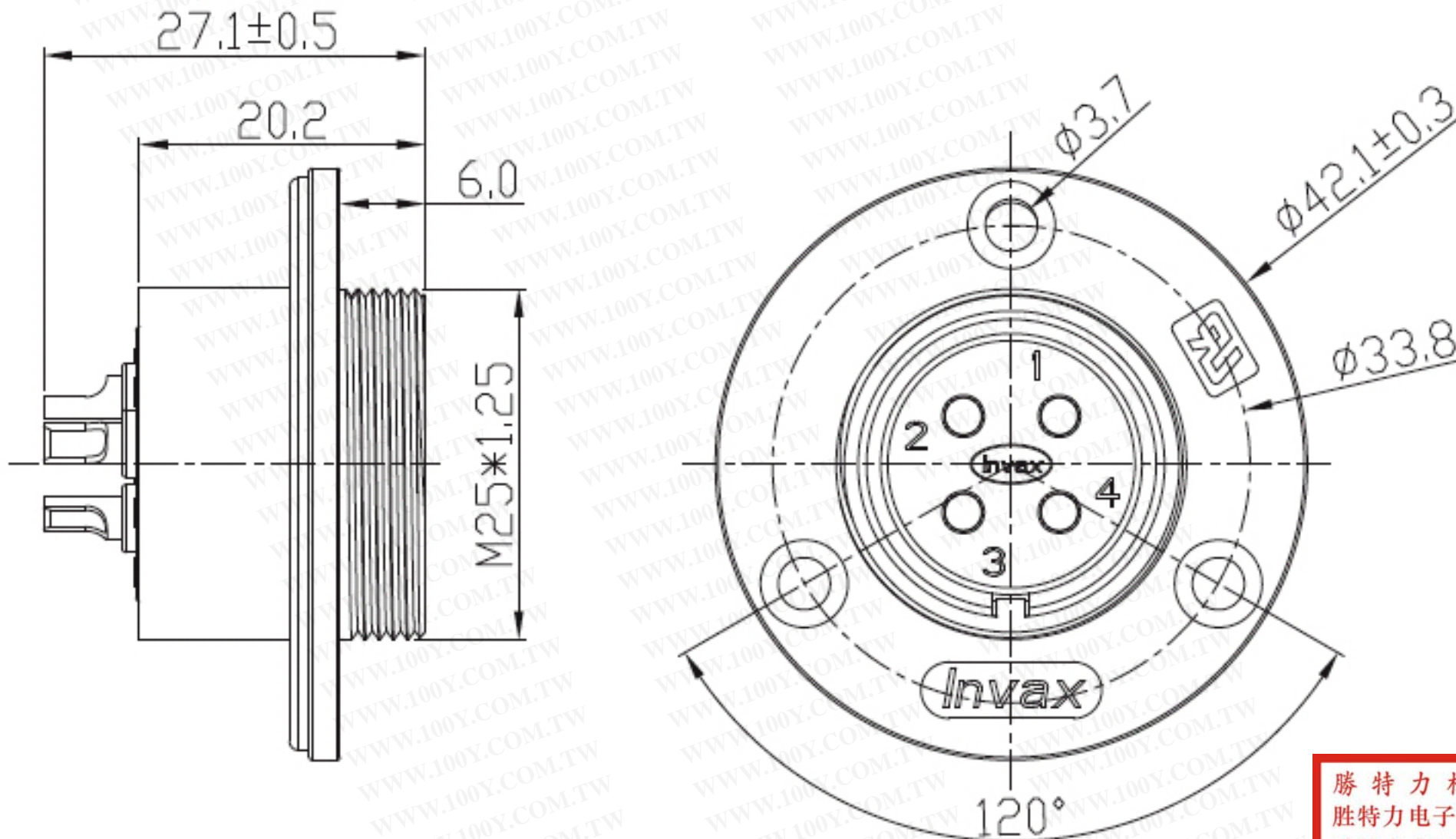
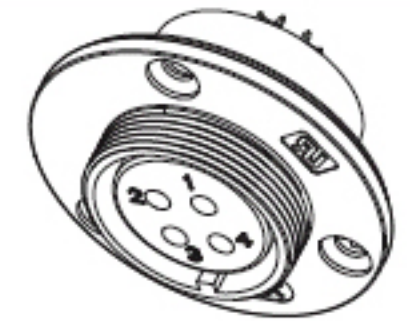


# RoHS

Compatible



SIGN	DATE	DESCRIPTION	APPROVER
△			
△			
△			



勝特力材料 886-3-5753170  
勝特力电子(上海) 86-21-34970699  
勝特力电子(深圳) 86-755-83298787  
[Http://www.100y.com.tw](http://www.100y.com.tw)

Note:

- Rated current : 10A
- Rated voltage : 250V
- Withstanding voltage(AC.V.rms)1 minute:  $\geq 2000V$
- Insulation resistance (MΩ MIN) at DC 500V:  $\geq 2000$  MΩ
- Contact resistance (mΩ MAX) at DC 1A:  $\leq 3$ mΩ
- Operation temperature :  $-40^\circ C \sim +65^\circ C$

TITLE: CS3系列4PIN面板母座						
PART NO.: CS3R-04ASNS			CUSTOMER P/N:			
APP BY	CHK BY	RF BY	DES BY		Tolerance	
					UNITS: mm	X.X ±0.2
					SCALE: 1/1	X.XX ±0.10
				REVISION: A	X° ±1	