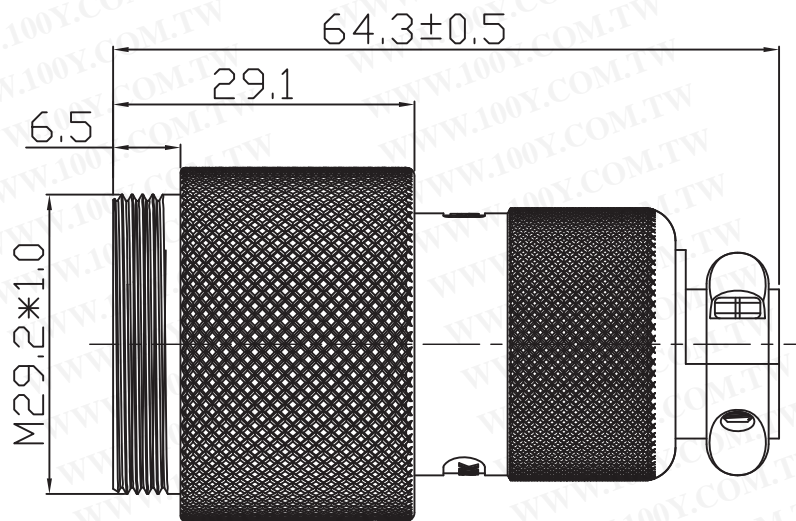
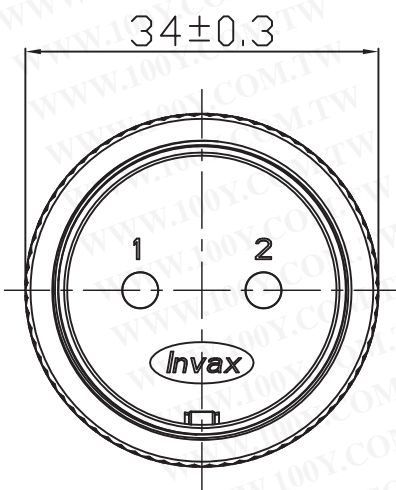


# RoHS

## Compatible



SIGN	DATE	DESCRIPTION	APPROVER
△			
△			
△			



### Note:

Rated current : 15A

Rated voltage : 250V

Withstanding voltage(AC.V.rms)1 minute: >=2000V

Insulation resistance (MΩ MIN) at DC 500V: >=2000 MΩ

Contact resistance (mΩ MAX) at DC 1A: <=3mΩ

Operation temperature : -40°C ~ +65°C

勝特力材料 886-3-5753170  
勝特力电子(上海) 86-21-34970699  
勝特力电子(深圳) 86-755-83298787  
[Http://www.100y.com.tw](http://www.100y.com.tw)

TITLE: CS4E Type 2PIN Male				CUSTOMER P/N:	
PART NO.: CS4E-02APNS-00		CUSTOMER P/N:			
APP BY	CHK BY	RF BY	DES BY	Tolerance X.X ±0.2 X.XX ±0.10 X° ±1	UNITS: mm SCALE: 1/1 REVISION: A
			LHC 2018/08/13		